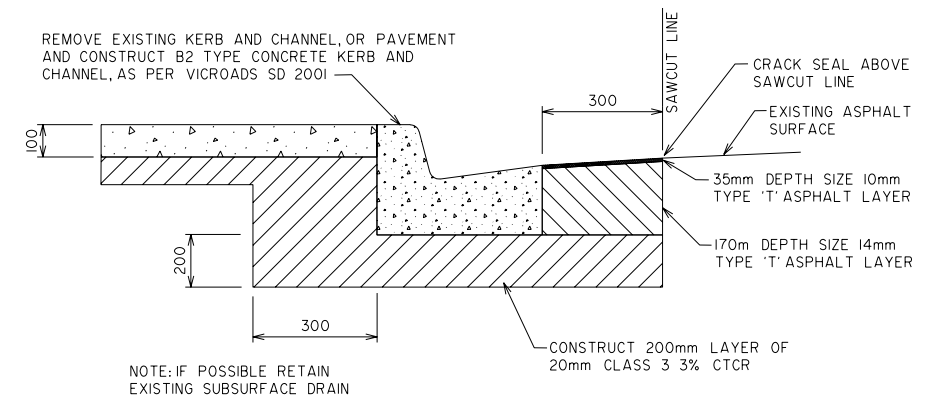


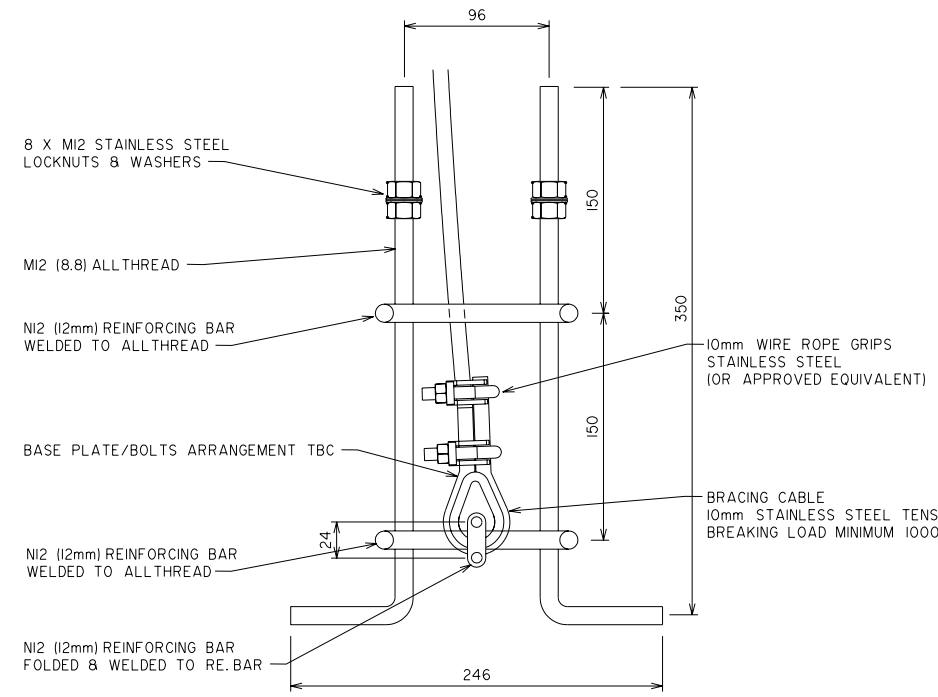
TYPICAL HARDSTAND AREA DETAIL

N.T.S.



NEW KERB CONSTRUCTION DETAILS

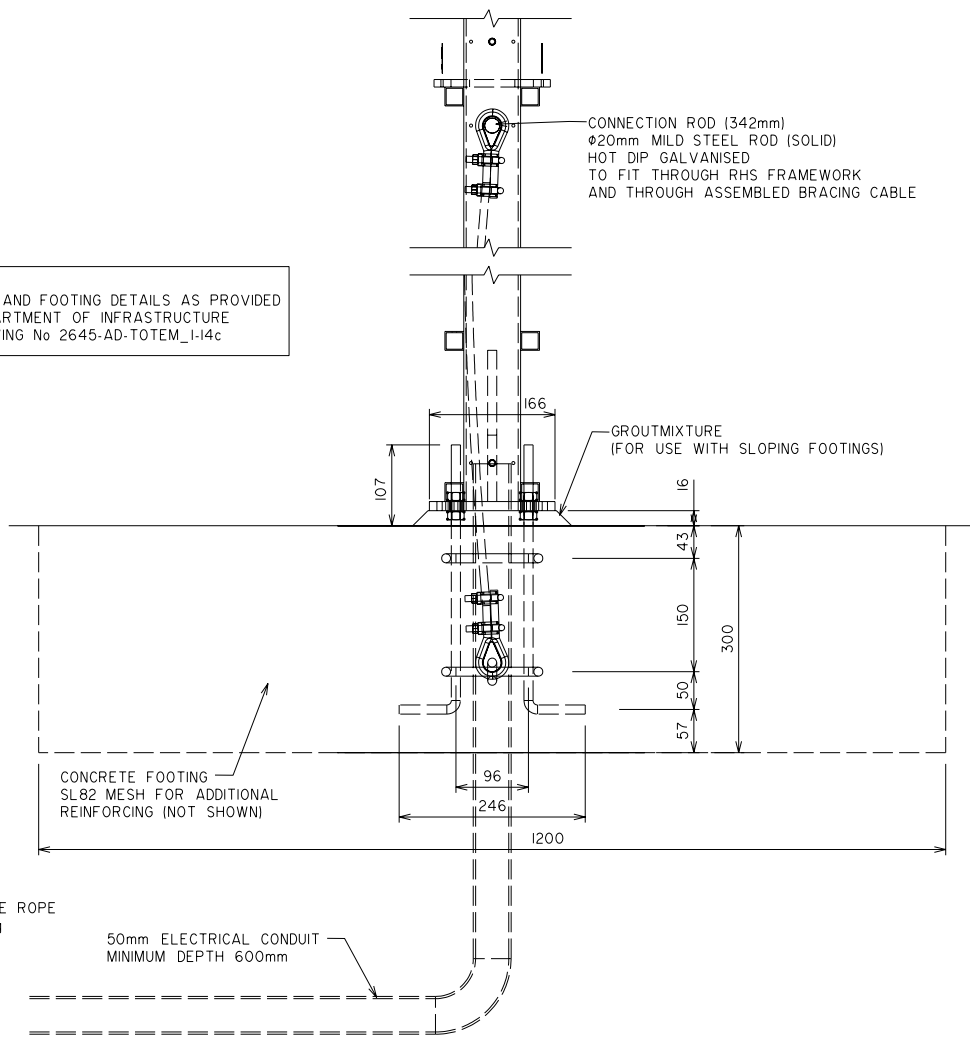
N.T.S.



TOTEM FOOTING DETAIL

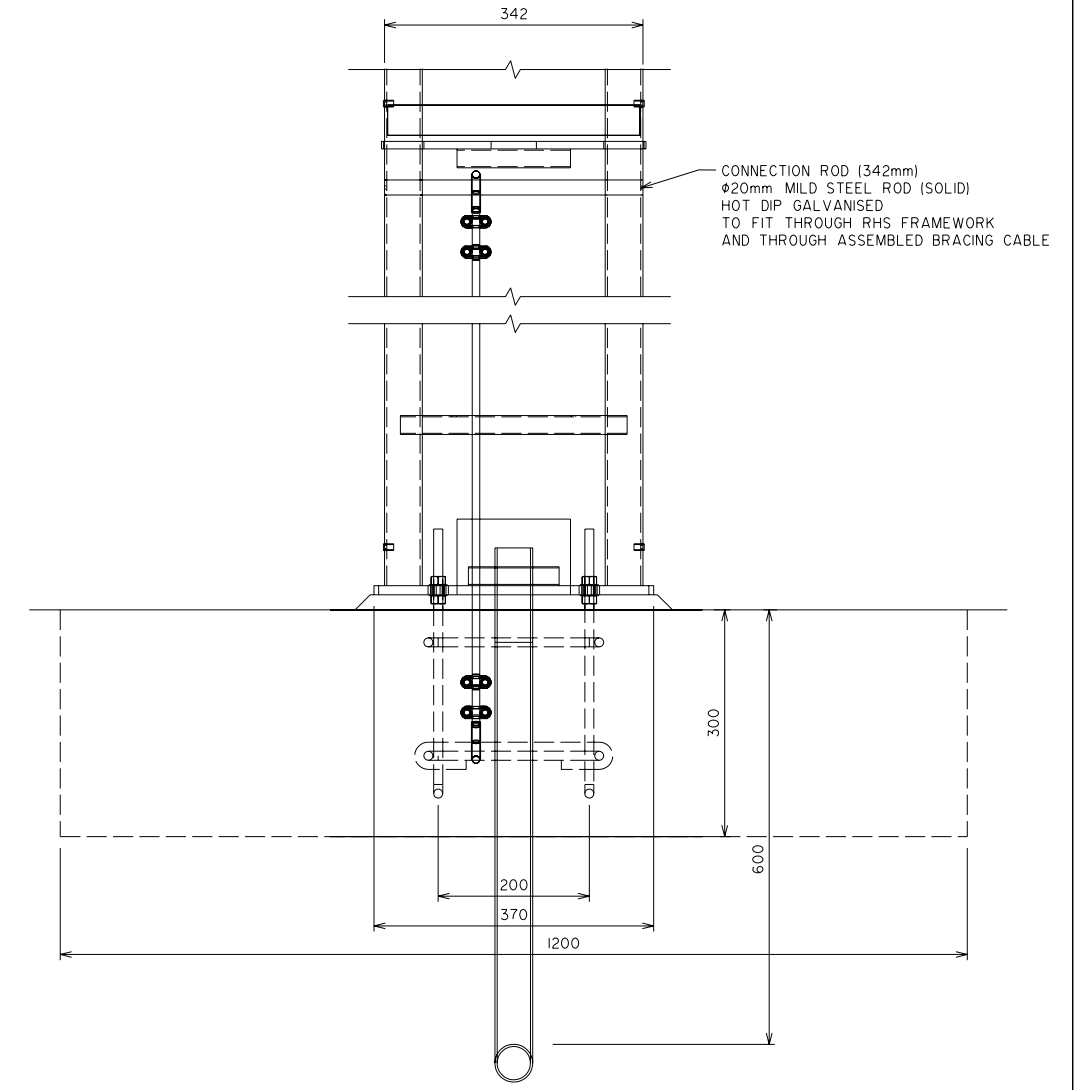
SCALE 1:5

NOTE:
STRUCTURAL AND FOOTING DETAILS AS PROVIDED
BY THE DEPARTMENT OF INFRASTRUCTURE
DIADEM DRAWING No 2645-AD-TOTEM_1-14c



TOTEM FOOTING SIDE ELEVATION

SCALE 1:10



TOTEM FOOTING FRONT ELEVATION

SCALE 1:10

WARNING
BEWARE OF UNDERGROUND SERVICES
The locations of underground services shown are approximate only and their exact position should be proven on site.

REVISION	REVISION NOTES	REVISION DATE
A	TYPICAL SECTIONS & STANDARD DETAILS	21-09-07
B	FOOTPATH DETAILS	18-10-07
C	UPDATE TYPICAL SECTIONS AND STANDARD DETAILS AS PER DOT COMMENTS 07/10/09	08-10-09
D	UPDATE TYPICAL SECTIONS AND STANDARD DETAILS AS PER DOT COMMENTS 11/01/11	11-01-11

GENERAL NOTES
 1 ALL WORKS TO BE CONSTRUCTED AS PER VICROADS STANDARDS
 2 TACTILE PAVERS TO BE INSTALLED AS PER VICROADS "BUS STOP GUIDELINES"
 3 REFER TO BUS STOP CATEGORISATION FOR DETAILS OF REAL-TIME INFORMATION SIGNS AND TOTEMS TO BE INSTALLED
 4 SMARTBUS REAL-TIME INFORMATION SIGN FOOTING DETAILS AS PER VICROADS DESIGN DRAWING 573397

ISSUE DATE	18-10-07
DESIGNED	G HILL
CHECKED	L LAYZELL
APPROVED	

CLIENT
Department of Transport

PROJECT

SMART BUS
TYPICAL SECTIONS AND STANDARD DETAILS

SCALE AS SHOWN SHEET No. DWG No. DGN00148-02