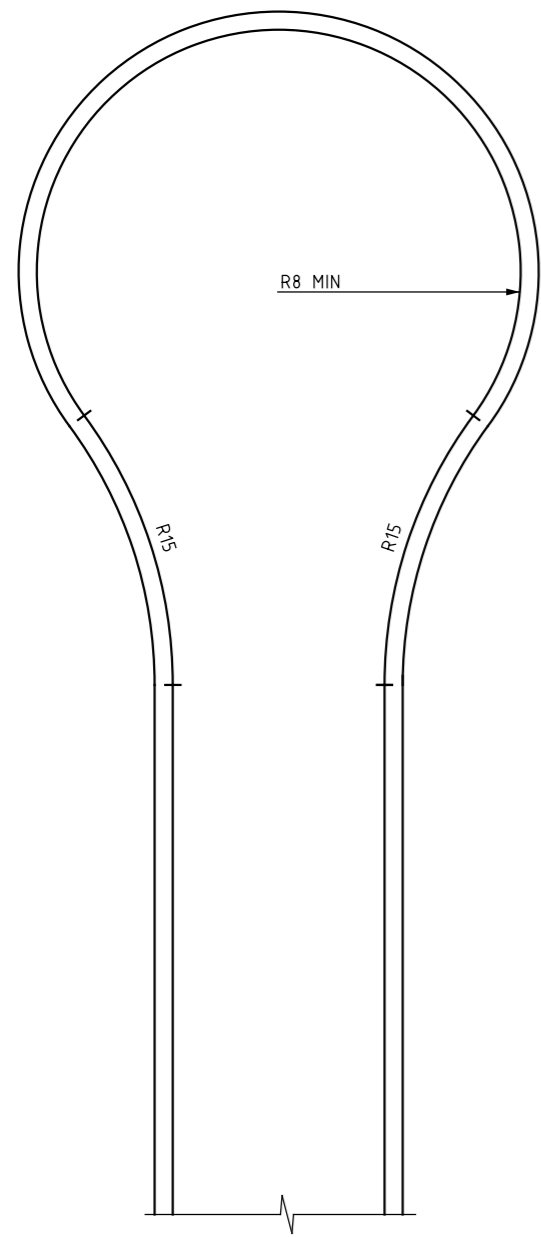
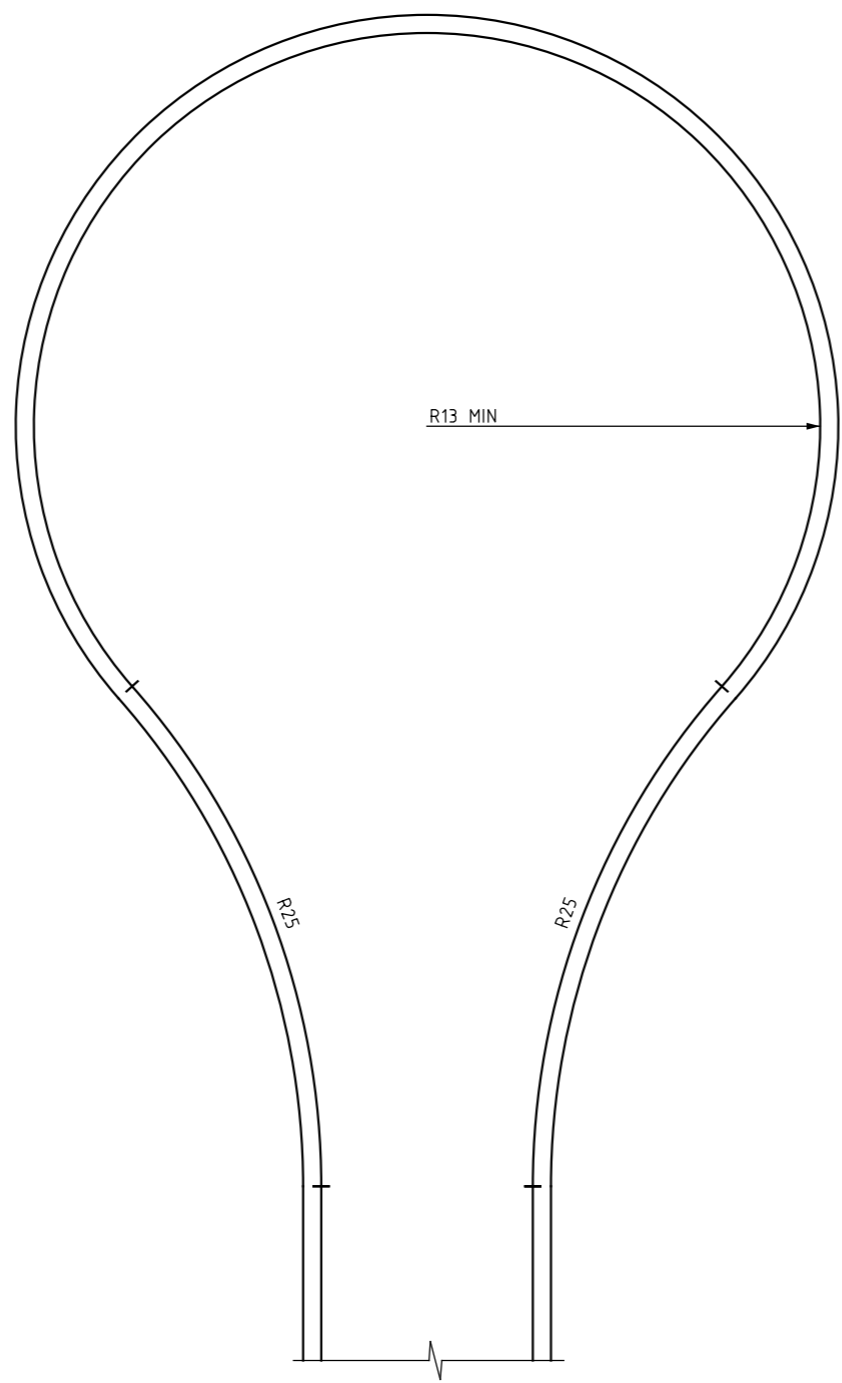


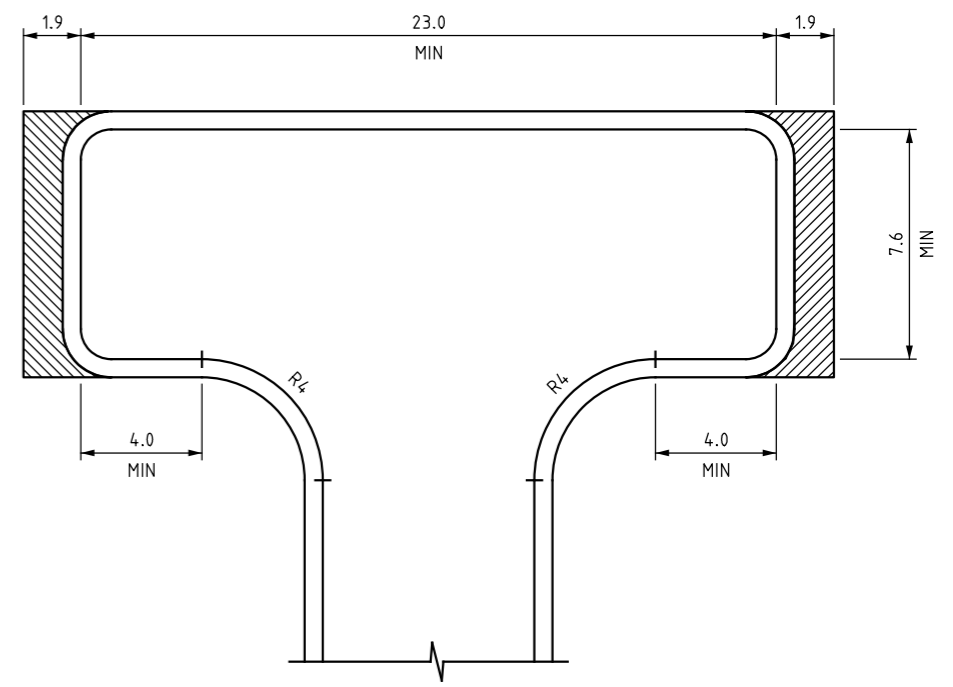
ISSUE	APP'D	DATE	AMENDMENT
A	DC	08/12	GENERAL DETAIL & NOTES



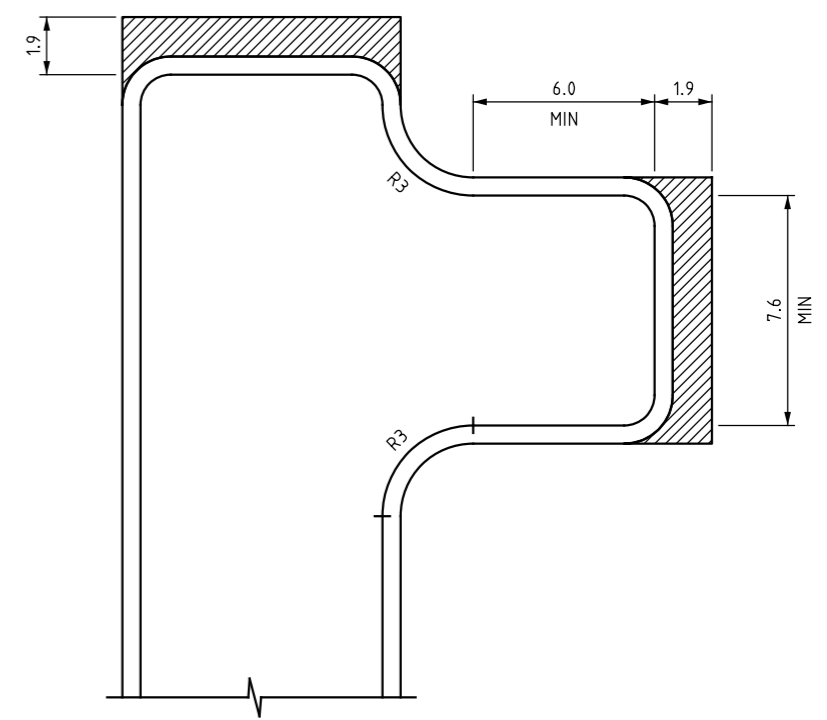
CUL-DE-SAC
5.0m CAR



CUL-DE-SAC
8.8m SERVICE VEHICLE



T TURNING BAY
8.8m SERVICE VEHICLE



SIDE TURNING BAY
8.8m SERVICE VEHICLE

VICROADS DRAWING NO 720253

- REFERENCES AND NOTES:
1. ALL DIMENSIONS ARE IN METRES
 2. ALL DIMENSIONS ARE TO THE LIP OF KERB AND CHANNEL
 3. VEHICLE OVERHANG AREA TO BE KEPT CLEAR OF PERMANENT FIXED OBJECTS

TECHNICAL
CONSULTING
3 PROSPECT HILL ROAD
CAMBERWELL
VICTORIA 3124
PHONE (03) 9811 8355
FAX (03) 9811 8329



KERBS SD2063
RESIDENTIAL CUL-DE-SAC
5.0m CAR / 8.8m SERVICE VEHICLE

	APPROVED DANIEL CASSAR (PRDE) 13-8-12	SD NO. SD2063	ISSUE A
--	--	------------------	------------