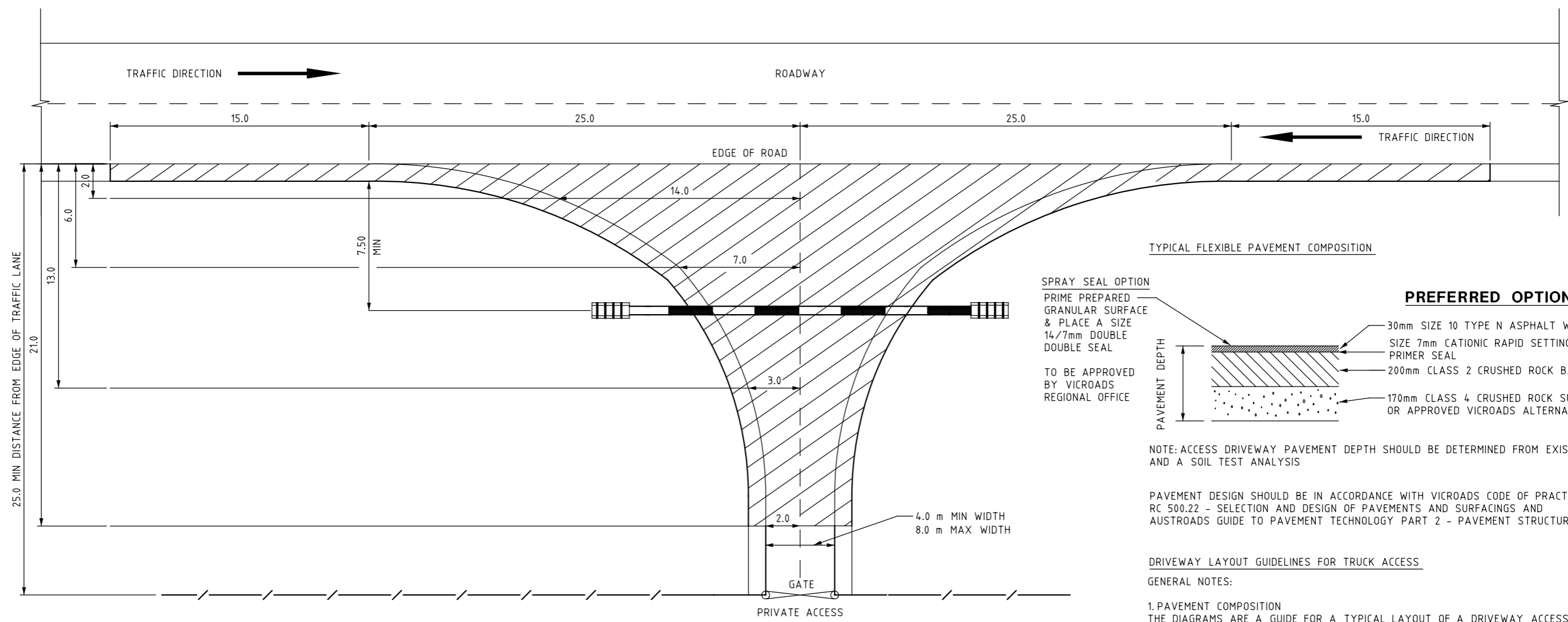


ISSUE	APP'D	DATE	AMENDMENT
A	DC	08/12	GENERAL DETAILS & NOTES

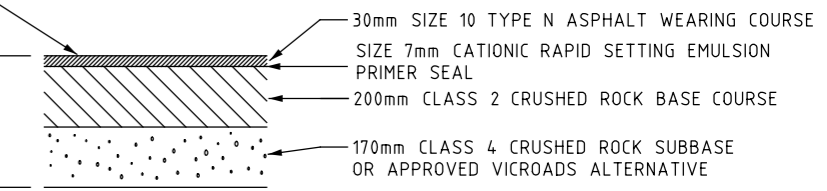


PLAN - DRIVEWAY ACCESS LAYOUT

TYPICAL FLEXIBLE PAVEMENT COMPOSITION

SPRAY SEAL OPTION  
 PRIME PREPARED GRANULAR SURFACE & PLACE A SIZE 14/7mm DOUBLE SEAL  
 TO BE APPROVED BY VICROADS REGIONAL OFFICE

PAVEMENT DEPTH



NOTE: ACCESS DRIVEWAY PAVEMENT DEPTH SHOULD BE DETERMINED FROM EXISTING PAVEMENT AND A SOIL TEST ANALYSIS

PAVEMENT DESIGN SHOULD BE IN ACCORDANCE WITH VICROADS CODE OF PRACTICE RC 500.22 - SELECTION AND DESIGN OF PAVEMENTS AND SURFACINGS AND AUSTRROADS GUIDE TO PAVEMENT TECHNOLOGY PART 2 - PAVEMENT STRUCTURAL DESIGN.

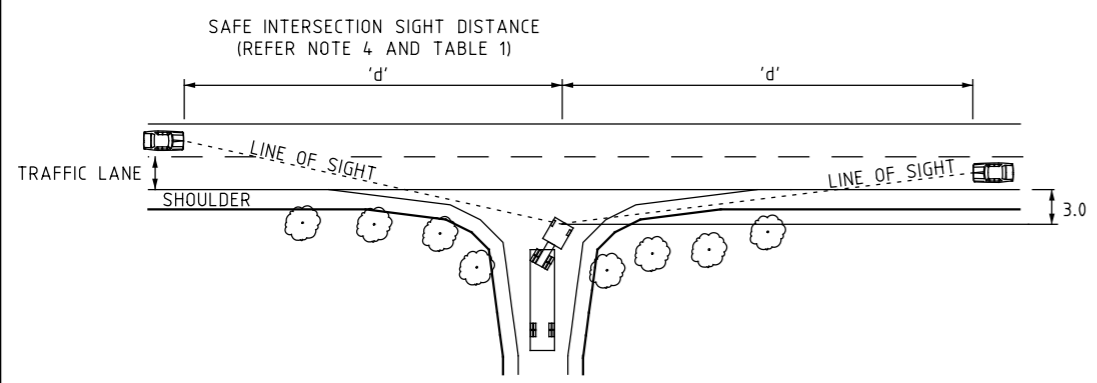
DRIVEWAY LAYOUT GUIDELINES FOR TRUCK ACCESS

GENERAL NOTES:

- PAVEMENT COMPOSITION  
THE DIAGRAMS ARE A GUIDE FOR A TYPICAL LAYOUT OF A DRIVEWAY ACCESS FOR A RURAL PROPERTY FOR THE DESIGN VEHICLE LISTED. THIS GUIDE WAS DEVELOPED IN THE INTEREST OF ROAD SAFETY AND TO PROTECT THE ROAD PAVEMENT AT THE ACCESS LOCATION. FINAL PAVEMENT COMPOSITION SHOULD BE DETERMINED BY EXISTING PAVEMENT AND SOIL TESTS, AND APPROVED BY VICROADS REGIONAL OFFICE.
- A PLANNING PERMIT IS REQUIRED FOR A NEW ACCESS OR ALTERATION TO AN EXISTING DRIVEWAY AND MAY BE REQUIRED FOR THE REMOVAL OF NATIVE VEGETATION.
- A TRAFFIC MANAGEMENT PLAN MUST COMPLY WITH THE RMA 2004 CODE OF PRACTICE FOR WORKSITE SAFETY TRAFFIC MANAGEMENT IN RELATION TO ANY WORKS UNDERTAKEN WITHIN THE ROAD RESERVE.
- TRUCK WARNING SIGNS & GUIDE POSTS SHOULD BE INSTALLED IN ACCORDANCE WITH VICROADS TRAFFIC ENGINEERING MANUAL VOLUME 2 CHAPTER 9.
- THE DRIVEWAY ACCESS CONSTRUCTION AND MAINTENANCE IS THE RESPONSIBILITY OF THE PROPERTY OWNER. MAINTENANCE ALSO INCLUDES ASSOCIATED DRAINAGE WORKS.

SIGHT DISTANCE

THE TRUCK DRIVER WHEN LOCATED 3m FROM THE EDGE OF THE TRAFFIC LANE NEEDS TO BE ABLE TO SEE A VEHICLE APPROACHING IN EITHER DIRECTION WHEN EXITING FROM A DRIVEWAY. REFER TO TABLE 1 FOR APPROPRIATE SIGHT DISTANCES. TREE CANOPIES, BUSHES OR OTHER OBJECTS SHALL BE REMOVED TO PROVIDE GOOD VISIBILITY AND TO PREVENT TRUCK DAMAGE. ANY TREE CANOPIES OVERHANGING THE PATH OF A TRUCK SHALL BE A MINIMUM OF 5m ABOVE THE GROUND SURFACE.



MINIMUM VISIBILITY REQUIREMENTS (NOT TO SCALE)

TABLE 1

DESIGN SPEED (Km/h)	'd' SAFE INTERSECTION SIGHT DISTANCE (m)
60	123
70	151
80	181
90	226
100	262
110	300

- REFERENCES AND NOTES:
- ALL DIMENSIONS ARE IN METRES
  - DESIGNED FOR: 26m LONG B-DOUBLE, 19m LONG SEMI-TRAILERS AND TRUCK AND TRAILER COMBINATIONS
  - AGRD PART 4 AND VR SUPPLEMENT TO AGRD PART 4 (PROPERTY ACCESS AND MEDIAN OPENINGS)
  - AGRD PART 4A AND VR SUPPLEMENT TO AGRD PART 4A (SECTION 3 SIGHT DISTANCE AND TABLE 3.2)

VICROADS GUIDELINES FOR ACCESS TO RURAL PROPERTIES  
 AGAM PART 5  
 AGPT PART 2  
 VICROADS TEM VOL 2  
 VICROADS RC 500.22  
 SD 1991 DRIVEABLE CULVERT ENDWALLS - TYPE 1

TECHNICAL CONSULTING  
 3 PROSPECT HILL ROAD  
 CAMBERWELL  
 VICTORIA 3124  
 PHONE (03) 9811 8355  
 FAX (03) 9811 8329



**ACCESS & STOPPING BAYS SD2065**  
 TRUCK ACCESS TO RURAL PROPERTIES  
 TYPE B

0 2.5 5.0	APPROVED DANIEL CASSAR (PRDE) 13-8-12	SD NO. SD2065	ISSUE A
-----------	--	------------------	------------

VICROADS DRAWING NO 720259