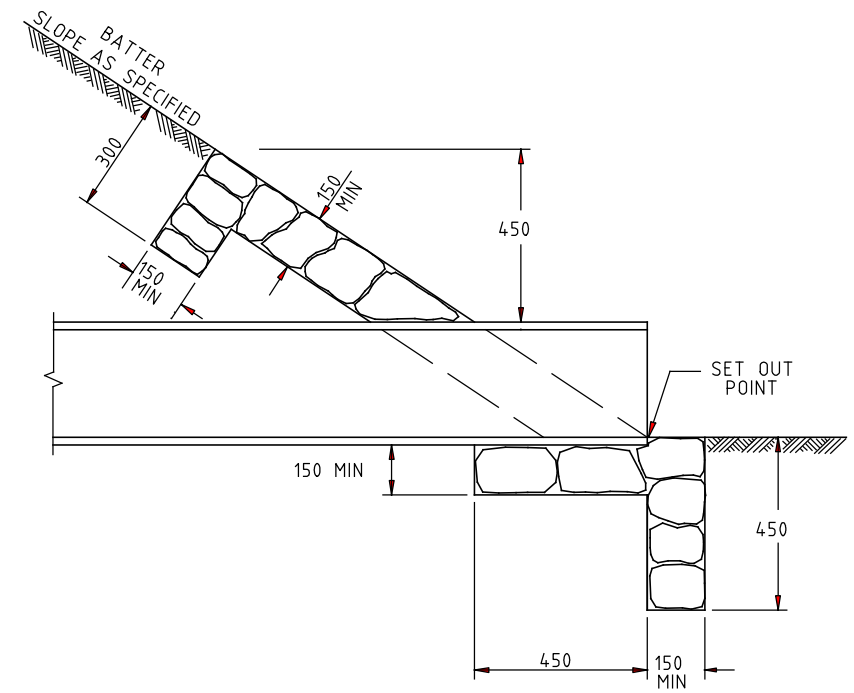
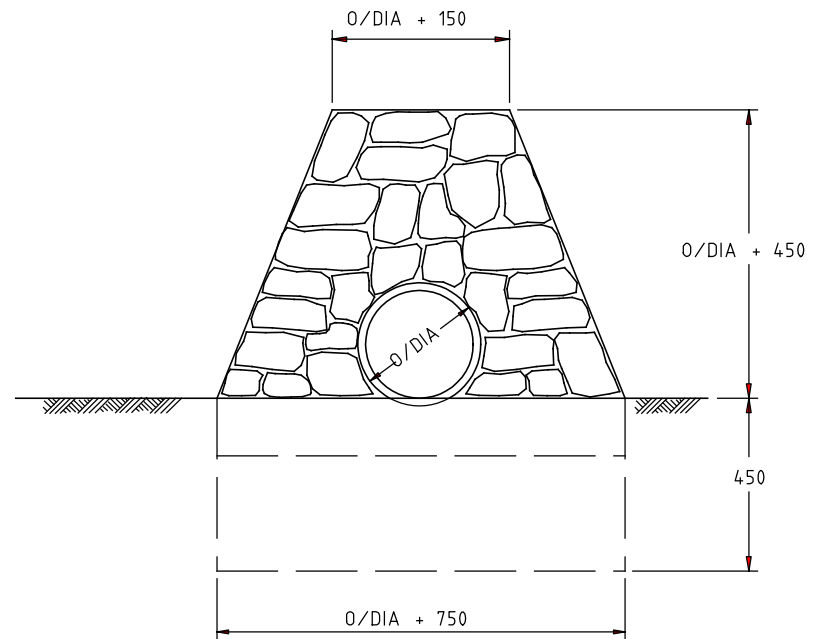


SECTION
OUTLET




SECTION
INLET



END ELEVATION
INLET AND OUTLET

- NOTES:
1. ROCKS SHALL BE SOUND, DENSE AND RESISTANT TO WEATHERING.
 2. UNLESS USED FOR FILLING IN, ROCKS SHALL WEIGH BETWEEN 10 AND 40 kg WITH 60% WEIGHING AT LEAST 25 kg. THE ROCKS SHALL BE REASONABLY UNIFORM IN COLOUR.

E				GENERAL NOTES / CROSS REFERENCES	 PRINCIPAL ROAD DESIGN ENGINEER'S DEPARTMENT	STANDARD DRAWING					
D				1. ALL DIMENSIONS ARE IN MILLIMETRES.		GROUTED MASONRY ENDWALL					
C				2. CULVERT INLET AND OUTLET STRUCTURES -		APPROVED	DATE	SPEC. REF. No.	SHEET No.	DRAWING No.	AMENDMENT
B				SELECTION GUIDE		<i>J. Cunningham</i>	12.95			SD 1801	A
A	J.C.	FEB 95	NOTE 2. GENERAL NOTES 1 & 2	SD 1700		PRINCIPAL RD ENGINEER					
AMEND.	Appd.	Date	AMENDMENTS								