

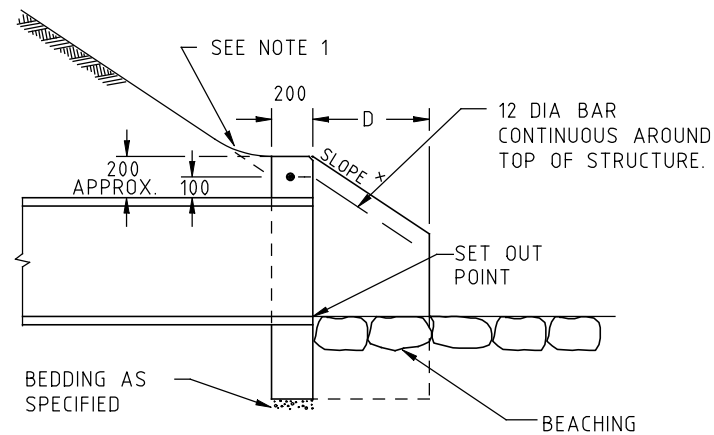
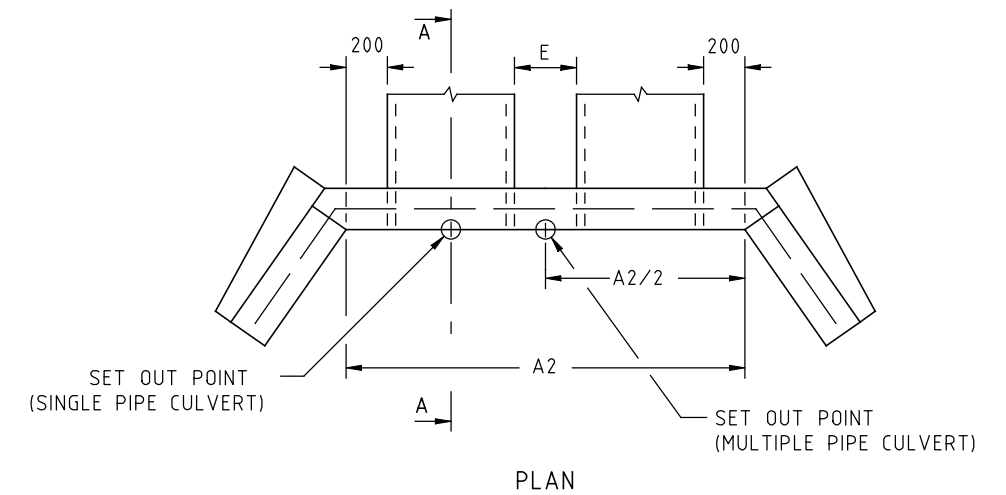
DIMENSIONS

NOM PIPE DIA	EXTERNAL PIPE DIA #	A**	E	H	K	L	TYPE 1 * SLOPE AT 1.5:1				TYPE 2 * SLOPE AT 2:1				TYPE 3 * SLOPE AT 3:1			
							B	C	D	F	B	C	D	F	B	C	D	F
300	362	762	300	531	80	50	138	1037	197	240	183	1129	262	320	275	1312	393	480
375	445	845	300	610	80	50	221	1286	315	385	294	1433	420	513	441	1727	630	769
450	534	934	300	692	130	70	307	1547	438	535	409	1752	584	713	613	2161	876	1069
525	616	1016	300	775	180	90	394	1804	563	687	525	2066	750	916	788	2591	1125	1373

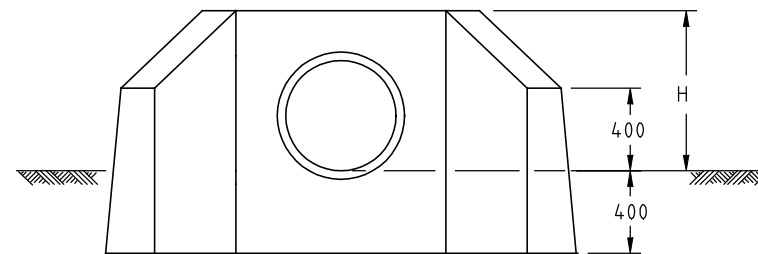
\* THEORETICAL SLOPE OF WINGWALL MEASURED AT RIGHT ANGLES TO THE ROADWAY.  
 \*\* A2=A+E+EXTERNAL DIAMETER OF PIPE  
 # APPROXIMATE ONLY

NOTES:

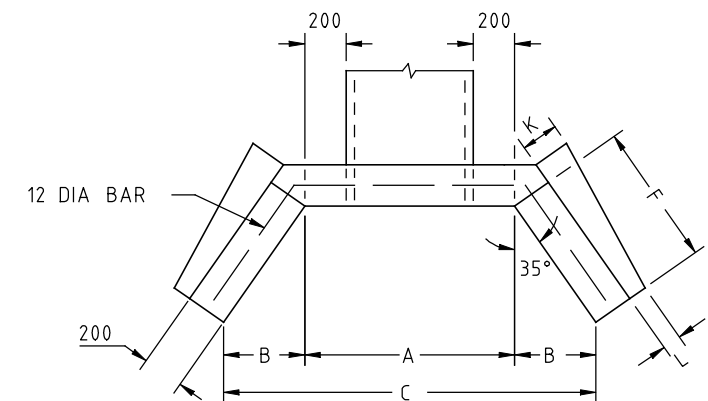
- BECAUSE THE RELATION OF THE BATTER TO THE TOP OF THE ENDWALL IS ESSENTIAL FOR THE SAFETY OF THE MOTORIST, THE DETAILS AS SHOWN IN SECTION A-A MUST BE ADHERED TO DURING CONSTRUCTION.
- REINFORCEMENT BARS SHALL COMPLY WITH AS/NZS 4671, GRADE 400Y. LAPS IN REINFORCEMENT BARS SHALL BE 300 MIN, AND CLEAR COVER 50 MIN.
- EXPOSED EDGES SHALL HAVE 20 x 20 CHAMFERS.
- COMPACTION PRESSURE BEHIND WALLS NOT TO EXCEED 15 kPa. (1.5 TONNE VIBRATORY ROLLER OR 300 kg VIBRATING PLATE WITHIN 0.5m OF WALL).
- REFER TO SD 1852 FOR QUANTITIES
- CONCRETE SHALL BE NORMAL-CLASS N32 STANDARD STRENGTH GRADE OR HIGHER COMPLYING WITH THE REQUIREMENTS OF AS 1379. EXPOSURE CLASSIFICATIONS UP TO AND INCLUDING B1.
- CONCRETE AGGREGATES SHALL COMPLY WITH TABLE 701.021 OF VICROADS STANDARD SPECIFICATION SECTION 701.
- ENDWALLS SHALL BE CONSTRUCTED IN ACCORDANCE WITH THE RELEVANT PROVISIONS OF AS 3600.



SECTION A-A



END ELEVATION



PLAN


sd-1851c.dgn 30/07/2006 3:58:11 PM

ISSUE	APP'D	DATE	AMENDMENT
E			
D			
C	J.K.	1/7/05	NOTE 2 AMENDED
B	J.C.	1/2/98	AMENDMENTS TO NOTE 6, NOTES 7 & 8 ADDED, CONCRETE STRENGTH GRADES
A	J.C.	1/2/95	NOTES 2, 5, 6 & 7, GENERAL NOTES 1 & 2

GENERAL NOTES	
1. ALL DIMENSIONS ARE IN MILLIMETRES.	
2. CULVERT INLET AND OUTLET STRUCTURES - SELECTION GUIDE	

SD 1700

DESIGNED	PRINCIPAL ROAD DESIGN ENGINEER
APPROVED	1.2.95 <i>J. Cunningham</i>
CATALOG PROJECT FILENAME	PRED sddgnnew sd-1851c.dgn



ENGINEERING & TECHNOLOGY CONSULTANTS

3 PROSPECT HILL ROAD, CAMBERWELL, VICTORIA, 3124  
 PHONE NO. (03) 9811 8355  
 FAX NO. (03) 9811 8329

SCALE HOR OF METRES VER NOT TO SCALE

STANDARD DRAWING				
MASS CONCRETE WINGWALL				
TYPES 1, 2 & 3				
PIPE CULVERTS 300 TO 525 DIA				
FILE NO.	CONTRACT NO.	SHEET NO.	DRAWING NO.	ISSUE
			SD 1851	C