

DIMENSIONS

NOM PIPE DIA	EXTERNAL PIPE DIA #	A**	E	H	K	L	M	t	U	TYPE 1 × SLOPE AT 1.5:1				TYPE 2 × SLOPE AT 2:1				TYPE 3 × SLOPE AT 3:1			
										B	C	D	F	B	C	D	F	B	C	D	F
600	698	1158	300	854	347	242	740	200	650	477	2112	681	831	636	2430	908	1108	954	3065	1362	1663
675	781	1241	340	933	365	242	780	200	650	560	2361	800	976	746	2734	1066	1301	1120	3480	1599	1952
750	864	1324	375	1013	384	242	820	200	650	644	2612	920	1123	858	3041	1226	1497	1288	3899	1839	2245
825	946	1406	410	1092	402	242	870	200	650	727	2860	1038	1267	969	3344	1384	1690	1454	4313	2076	2534
900	1029	1489	450	1172	421	242	910	200	650	811	3111	1158	1414	1081	3651	1544	1885	1622	4732	2316	2827
1050	1194	1654	525	1330	480	265	990	200	750	977	3608	1395	1703	1302	4259	1860	2271	1954	5561	2790	3406
1200	1359	1819	600	1489	517	265	1060	200	750	1144	4107	1634	1994	1525	4869	2178	2659	2288	6394	3267	3988
1350	1524	1984	675	1648	554	265	1130	200	750	1311	4606	1872	2285	1748	5479	2496	3047	2622	7227	3744	4571
1500	1676	2136	750	1800	589	265	1200	200	750	1470	5077	2100	2564	1961	6057	2800	3418	2941	8018	4200	5127
1650	1842	2302	825	1959	625	265	1260	200	750	1637	5577	2339	2855	2183	6668	3118	3806	3275	8852	4677	5710
1800	2006	2466	900	2117	662	265	1320	200	750	1803	6073	2576	3144	2405	7275	3434	4192	3607	9680	5151	6288
1950	2198	2658	900	2296	703	265	1370	250	750	1991	6641	2844	3472	2655	7968	3792	4629	3983	10624	5688	6944
2100	2388	2848	900	2474	744	265	1420	250	750	2178	7205	3111	3798	2904	8657	4148	5064	4357	11561	6222	7596

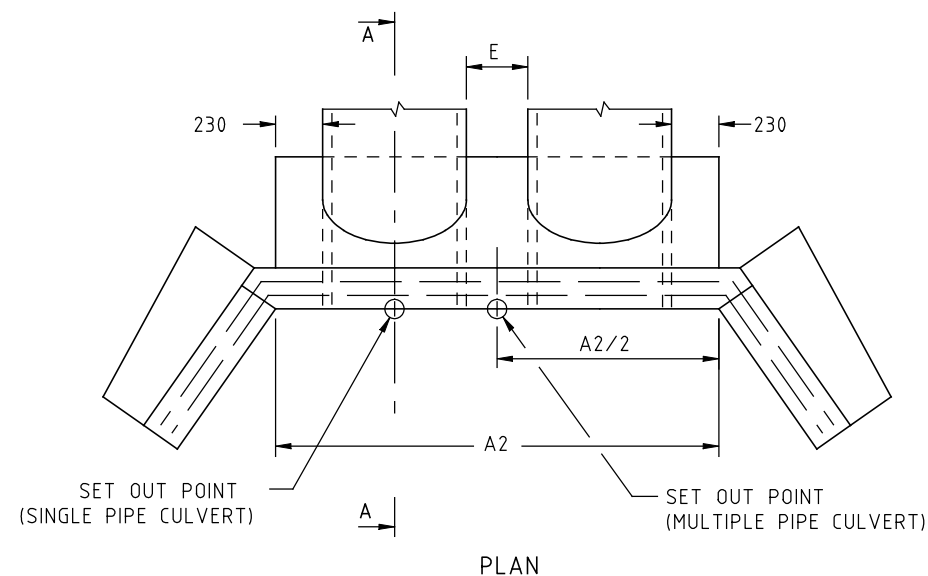
NOTES:

- BECAUSE THE RELATION OF THE BATTER TO THE TOP OF THE ENDWALL IS ESSENTIAL FOR THE SAFETY OF THE MOTORIST, THE DETAILS AS SHOWN IN SECTION A-A MUST BE ADHERED TO DURING CONSTRUCTION.
- REINFORCEMENT BARS SHALL COMPLY WITH AS/NZS 4671, GRADE 400Y. LAPS IN REINFORCEMENT BARS SHALL BE 300 MIN, AND CLEAR COVER 50 MIN.
- EXPOSED EDGES SHALL HAVE 20 x 20 CHAMFERS.
- COMPACTION PRESSURE BEHIND WALLS NOT TO EXCEED 15 kPa. (1.5 TONNE VIBRATORY ROLLER OR 300 kg VIBRATING PLATE WITHIN 0.5m OF WALL).
- REFER TO SD 1862 FOR QUANTITIES
- CONCRETE SHALL BE NORMAL-CLASS N32 STANDARD STRENGTH GRADE OR HIGHER COMPLYING WITH THE REQUIREMENTS OF AS 1379. EXPOSURE CLASSIFICATIONS UP TO AND INCLUDING B1.
- CONCRETE AGGREGATES SHALL COMPLY WITH TABLE 701.021 OF VICROADS STANDARD SPECIFICATION SECTION 701.
- ENDWALLS SHALL BE CONSTRUCTED IN ACCORDANCE WITH THE RELEVANT PROVISIONS OF AS 3600.

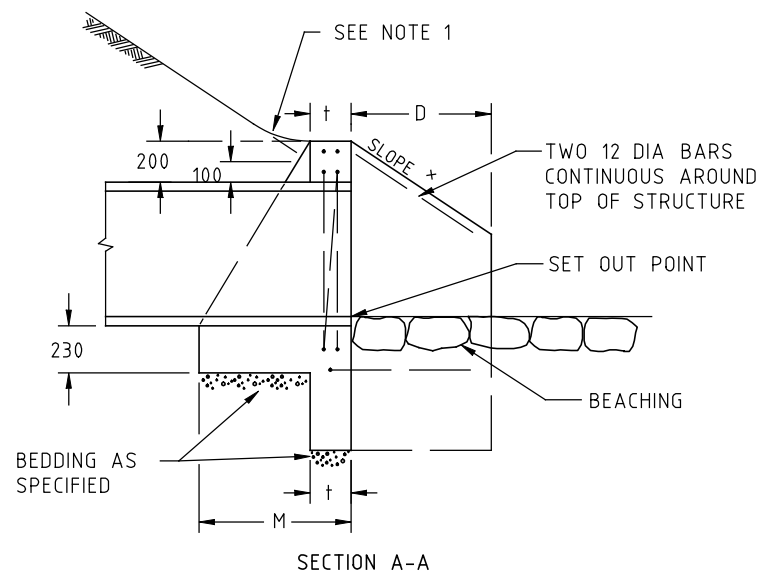
× THEORETICAL SLOPE OF WINGWALL MEASURED AT RIGHT ANGLES TO THE ROADWAY.

** A2=A+E+EXTERNAL DIAMETER OF PIPE

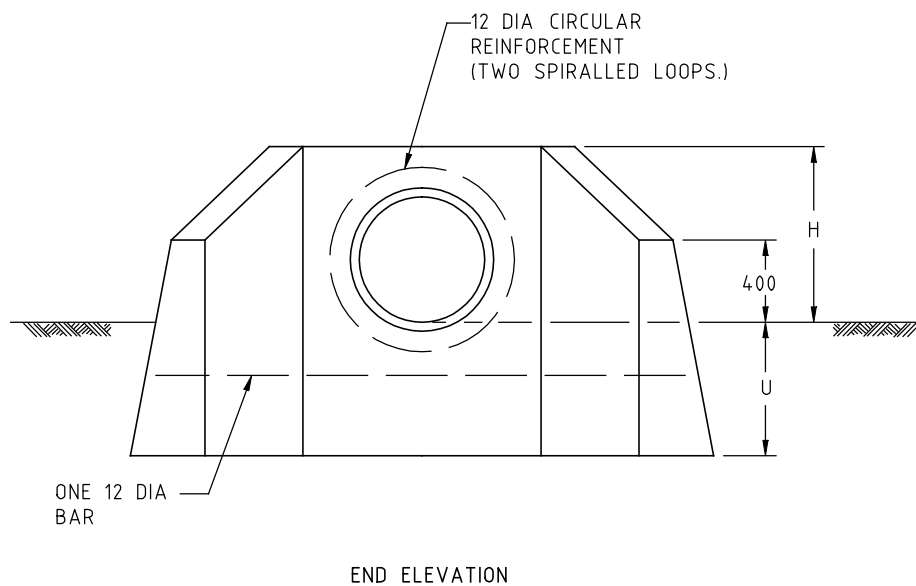
APPROXIMATE ONLY



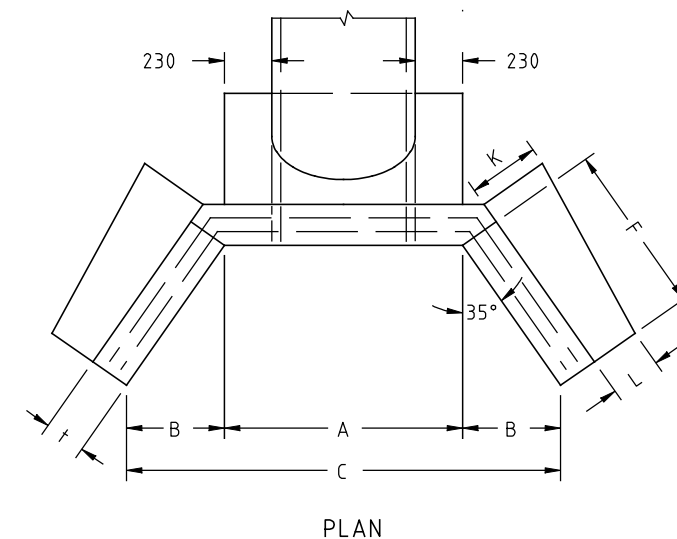
PLAN



SECTION A-A



END ELEVATION



PLAN

sd-1861c.dgn 30/03/2006 3:58:50 PM

ISSUE	APP'D	DATE	AMENDMENT
E			
D			
C	J.K.	1/7/05	NOTE 2 AMENDED
B	J.C.	1/2/98	AMENDMENT TO NOTE 6, NOTES 7 & 8 ADDED, CONCRETE STRENGTH GRADES
A	J.C.	1/2/95	NOTES 2, 5 & 6, GENERAL NOTES 1 & 2

GENERAL NOTES		SD 1700
1. ALL DIMENSIONS ARE IN MILLIMETRES.		
2. CULVERT INLET AND OUTLET STRUCTURES - SELECTION GUIDE		

DESIGNED	PRINCIPAL ROAD DESIGN ENGINEER	 ENGINEERING & TECHNOLOGY CONSULTANTS	3 PROSPECT HILL ROAD, CAMBERWELL, VICTORIA, 3124 PHONE NO. (03) 9811 8355 FAX NO. (03) 9811 8329
APPROVED	1.2.95 <i>J. Cunningham</i>		
CATALOG PROJECT FILENAME	PRED sddgnnew sd-1861c.dgn	SCALE OF METRES	HOR VER NOT TO SCALE

STANDARD DRAWING				
MASS CONCRETE WINGWALL				
TYPES 1, 2 & 3				
PIPE CULVERTS 600 TO 2100 DIA				
FILE NO.	CONTRACT NO.	SHEET NO.	DRAWING NO.	ISSUE
			SD 1861	C