

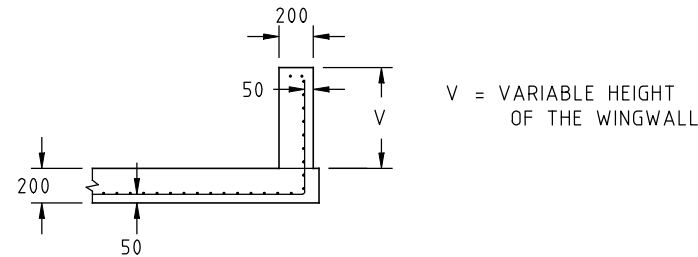
DIMENSIONS

SKEW ANGLE DEGREE	FLARE ANGLE DEGREE	NOM PIPE DIA	EXTERNAL PIPE DIA #	A	E	H	TYPE 1 × SLOPE AT 1.5:1						TYPE 2 × SLOPE AT 2:1						TYPE 3 × SLOPE AT 3:1					
							B	B1	C	D	F	P	B	B1	C	D	F	P	B	B1	C	D	F	P
15	20	600	698	1756	300	854	477	60	2292	681	831	684	636	79	2471	908	1108	911	954	119	2829	1362	1663	1367
		675	781	1969	340	933	560	70	2599	800	976	803	746	93	2809	1066	1301	1070	1120	140	3229	1599	1952	1605
		750	864	2177	375	1013	644	80	2901	920	1123	923	858	107	3143	1226	1497	1231	1288	161	3626	1839	2245	1846
		825	946	2383	410	1092	727	91	3201	1038	1267	1042	969	121	3473	1384	1690	1389	1454	182	4018	2076	2534	2084
		900	1029	2596	450	1172	811	101	3509	1158	1414	1162	1081	135	3813	1544	1885	1550	1622	203	4421	2316	2827	2325
		1050	1194	3016	525	1330	977	122	4115	1395	1703	1400	1302	163	4481	1860	2271	1867	1954	244	5213	2790	3406	2801
1200	1359	3435	600	1489	1144	143	4722	1634	1994	1640	1525	191	5151	2178	2659	2186	2288	286	6008	3267	3988	3279		
30	20	600	698	1958	300	854	812	-120	2650	681	1059	692	1082	-160	2880	908	1413	922	1623	-240	3341	1362	2119	1383
		675	781	2196	340	933	953	-141	3008	800	1244	812	1270	-188	3279	1066	1658	1082	1906	-282	3820	1599	2488	1624
		750	864	2428	375	1013	1096	-162	3362	920	1430	934	1461	-216	3673	1226	1907	1245	2192	-324	4296	1839	2861	1867
		825	946	2658	410	1092	1237	-183	3712	1038	1615	1054	1649	-244	4063	1384	2153	1405	2474	-366	4766	2076	3230	2108
		900	1029	2896	450	1172	1380	-204	4072	1158	1802	1176	1840	-272	4464	1544	2402	1568	2760	-408	5248	2316	3603	2352
		1050	1194	3364	525	1330	1662	-246	4780	1395	2170	1417	2217	-328	5252	1860	2894	1889	3325	-492	6197	2790	4340	2833
1200	1359	3831	600	1489	1947	-288	5490	1634	2541	1659	2596	-384	6043	2178	3388	2212	3893	-576	7149	3267	5083	3317		
45	20	600	698	2399	300	854	1460	-318	3541	681	1611	751	1947	-423	3922	908	2149	1002	2921	-635	4684	1362	3223	1503
		675	781	2690	340	933	1715	-373	4032	800	1892	882	2286	-497	4479	1066	2522	1176	3429	-746	5373	1599	3784	1764
		750	864	2974	375	1013	1972	-429	4517	920	2176	1015	2629	-572	5032	1226	2901	1353	3944	-858	6060	1839	4351	2029
		825	946	3256	410	1092	2226	-484	4997	1038	2456	1145	2968	-645	5578	1384	3275	1527	4452	-968	6739	2076	4912	2291
		900	1029	3547	450	1172	2483	-540	5490	1158	2740	1278	3311	-720	6138	1544	3653	1704	4967	-1080	7434	2316	5480	2555
		1050	1194	4120	525	1330	2992	-650	6461	1395	3301	1539	3989	-867	7241	1860	4401	2052	5983	-1301	8802	2790	6602	3078
1200	1359	4692	600	1489	3503	-762	7434	1634	3865	1802	4671	-1016	8347	2178	5154	2403	7006	-1523	10175	3267	7730	3605		

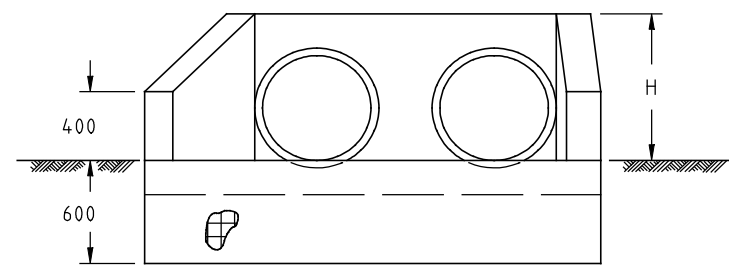
NOTES:

- BECAUSE THE RELATION OF THE BATTER TO THE TOP OF THE ENDWALL IS ESSENTIAL FOR THE SAFETY OF THE MOTORIST, THE DETAILS AS SHOWN IN SECTION A-A MUST BE ADHERED TO DURING CONSTRUCTION.
- REINFORCEMENT FABRIC SHALL COMPLY WITH AS/NZS 4671. UNLESS OTHERWISE SPECIFIED, REINFORCEMENT FABRIC SHALL BE F81 AND CONTINUOUS AROUND CORNERS AND LOCATED AS SHOWN ON SECTIONS A-A AND B-B. CLEAR COVER 50 MIN., LAPS 300 MIN.
- REINFORCEMENT BARS SHALL COMPLY WITH AS/NZS 4671, GRADE 400Y. CLEAR COVER 50 MIN., LAPS 25 x BAR DIAMETER MIN.
- CONCRETE SHALL BE NORMAL-CLASS N32 STANDARD STRENGTH GRADE OR HIGHER COMPLYING WITH THE REQUIREMENTS OF AS 1379. EXPOSURE CLASSIFICATIONS UP TO AND INCLUDING B1.
- EXPOSED EDGES SHALL HAVE 20 x 20 CHAMFERS.
- COMPACTION PRESSURE BEHIND WALLS NOT TO EXCEED 15 kPa. (1.5 TONNE VIBRATORY ROLLER OR 300 kg VIBRATING PLATE WITHIN 0.5m OF WALL).
- REFER TO SD 1952 FOR QUANTITIES
- CONCRETE AGGREGATES SHALL COMPLY WITH TABLE 701.021 OF VICROADS STANDARD SPECIFICATION SECTION 701.
- ENDWALLS SHALL BE CONSTRUCTED IN ACCORDANCE WITH THE RELEVANT PROVISIONS OF AS 3600.

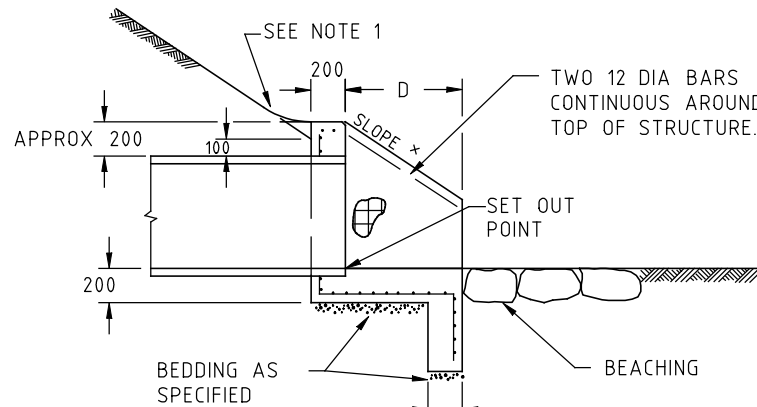
× THEORETICAL SLOPE OF WINGWALL MEASURED AT RIGHT ANGLES TO THE ROADWAY.  
# APPROXIMATE ONLY



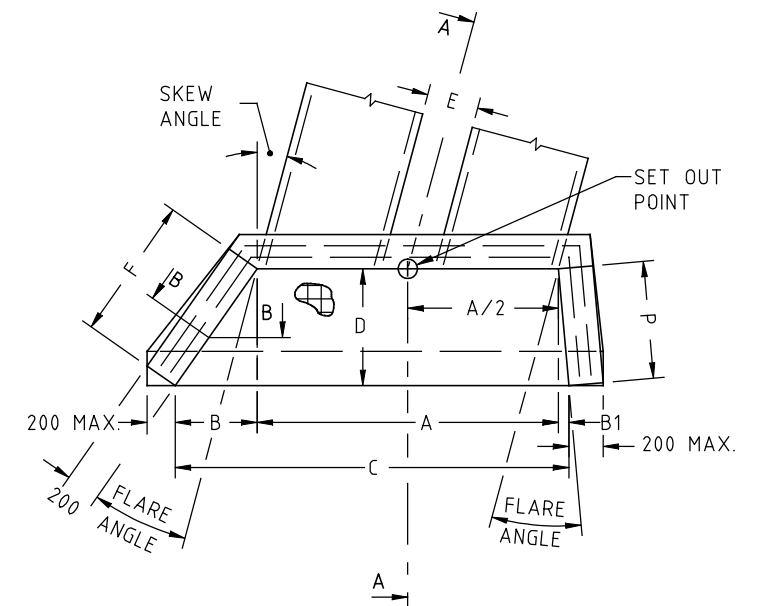
SECTION B-B



END ELEVATION



SECTION A-A



PLAN

sd-1951c.dgn 30/03/2006 4:04:10 PM

ISSUE	APP'D	DATE	AMENDMENT
E			
D			
C	J.K.	1/7/05	NOTES 2 & 3 AMENDED
B	J.C.	1/2/98	AMENDMENT TO NOTE 4, NOTES 8 & 9 ADDED, CONCRETE STRENGTH GRADES
A	J.C.	1/2/95	DIMENSIONS FOR 1200 DIA. PIPES, NOTES 2, 3, 4 & 7, GENERAL NOTES 1 & 2, THICKNESS OF ENDWALL AND CUT-OFF WALL ADDED

GENERAL NOTES	
1.	ALL DIMENSIONS ARE IN MILLIMETRES.
2.	CULVERT INLET AND OUTLET STRUCTURES - SELECTION GUIDE

SD 1700

DESIGNED	PRINCIPAL ROAD DESIGN ENGINEER
APPROVED	1.2.95 <i>J. Cunningham</i>
CATALOG PROJECT FILENAME	PRED sddgnnew sd-1951c.dgn
SCALE	HOR NOT TO SCALE OF METRES VER



3 PROSPECT HILL ROAD,  
CAMBERWELL,  
VICTORIA, 3124  
PHONE NO. (03) 9811 8355  
FAX NO. (03) 9811 8329

STANDARD DRAWING				
REINFORCED CONCRETE WINGWALL				
TYPES 1, 2 & 3				
SKEW MULTIPLE PIPE CULVERTS 600 TO 1200 DIA				
FILE NO.	CONTRACT NO.	SHEET NO.	DRAWING NO.	ISSUE
			SD 1951	C