

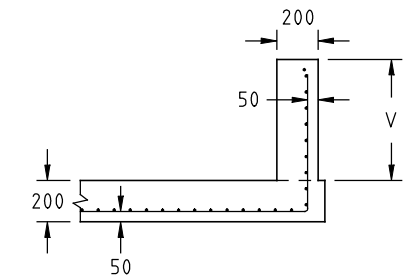
DIMENSIONS

NOM WIDTH (w)	NOM HEIGHT (h)	A ^{**}	H	TYPE 1 * SLOPE AT 1.5:1				TYPE 2 * SLOPE AT 2:1				TYPE 3 * SLOPE AT 3:1			
				B	C	D	F	B	C	D	F	B	C	D	F
750	600	889	915	541	1971	773	943	721	2331	1030	1257	1082	3053	1545	1886
900	600	1067	920	546	2159	780	952	728	2523	1040	1270	1092	3252	1560	1904
900	750	1067	1073	707	2481	1010	1232	942	2952	1346	1643	1414	3894	2019	2465
1200	600	1372	931	558	2487	797	972	744	2859	1062	1296	1115	3603	1593	1945
1200	900	1372	1235	877	3126	1253	1529	1169	3711	1670	2039	1754	4880	2505	3058

* THEORETICAL SLOPE OF WINGWALL MEASURED AT RIGHT ANGLES TO THE ROADWAY.
 ** A2=A+A

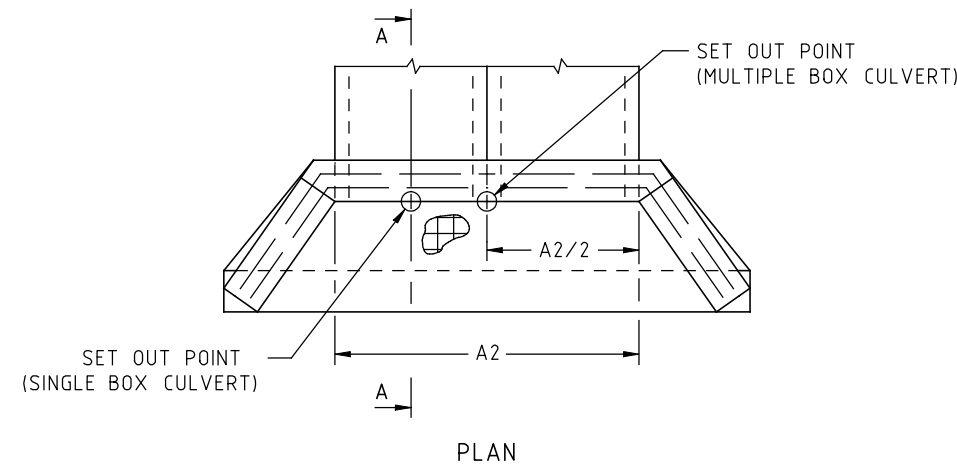
NOTES:

- BECAUSE THE RELATION OF THE BATTER TO THE TOP OF THE ENDWALL IS ESSENTIAL FOR THE SAFETY OF THE MOTORIST, THE DETAILS AS SHOWN IN SECTION A-A MUST BE ADHERED TO DURING CONSTRUCTION.
- REINFORCEMENT FABRIC SHALL COMPLY WITH AS/NZS 4671. UNLESS OTHERWISE SPECIFIED, REINFORCEMENT FABRIC SHALL BE F81 AND CONTINUOUS AROUND CORNERS AND LOCATED AS SHOWN ON SECTIONS A-A AND B-B. CLEAR COVER 50 MIN., LAPS 300 MIN.
- REINFORCEMENT BARS SHALL COMPLY WITH AS/NZS 4671, GRADE 400Y. CLEAR COVER 50 MIN., LAPS 25 x BAR DIAMETER MIN.
- CONCRETE SHALL BE NORMAL-CLASS N32 STANDARD STRENGTH GRADE OR HIGHER COMPLYING WITH THE REQUIREMENTS OF AS 1379. EXPOSURE CLASSIFICATIONS UP TO AND INCLUDING B1.
- EXPOSED EDGES SHALL HAVE 20 x 20 CHAMFERS.
- COMPACTION PRESSURE BEHIND WALLS NOT TO EXCEED 15 kPa.
- REFER TO SD 1982 FOR QUANTITIES (1.5 TONNE VIBRATORY ROLLER OR 300 kg VIBRATING PLATE WITHIN 0.5m OF WALL).
- CONCRETE AGGREGATES SHALL COMPLY WITH TABLE 701.021 OF VICROADS STANDARD SPECIFICATION 701.
- ENDWALLS SHALL BE CONSTRUCTED IN ACCORDANCE WITH THE RELEVANT PROVISIONS OF AS 3600.

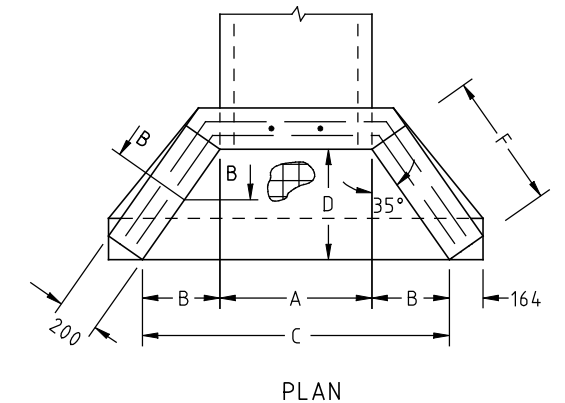


SECTION B-B

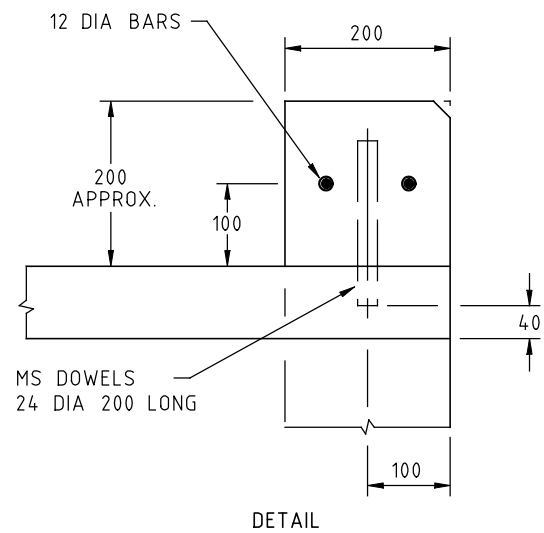
V = VARIABLE HEIGHT OF THE WINGWALL



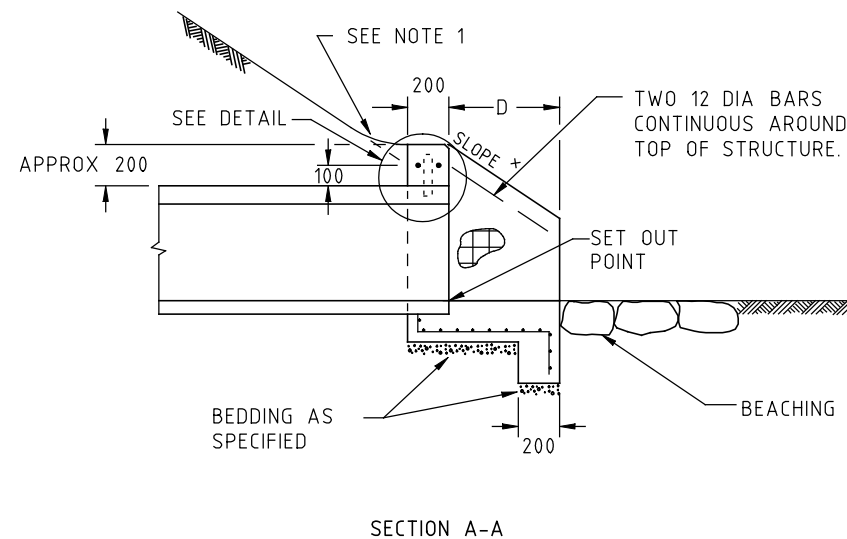
PLAN



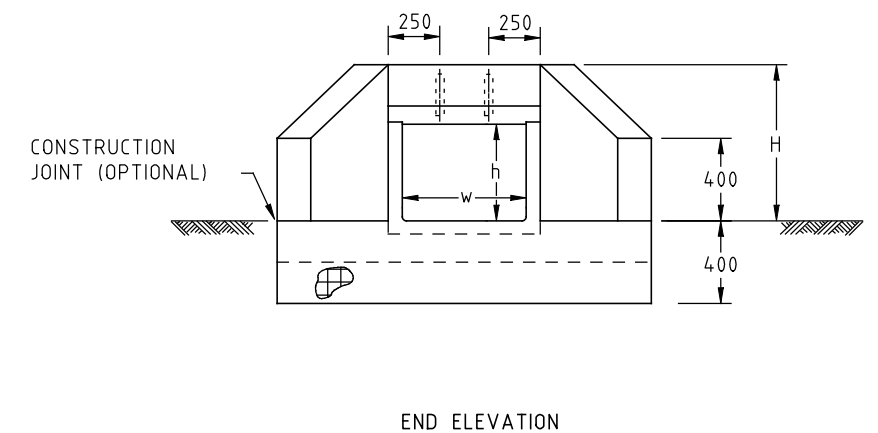
PLAN



DETAIL



SECTION A-A




END ELEVATION

sd-1981c.dgn 30/03/2006 4:07:53 PM

ISSUE	APP'D	DATE	AMENDMENT
E			
D			
C	J.K.	1/7/05	NOTES 2 & 3 AMENDED
B	J.C.	1/2/98	AMENDMENT TO NOTE 4, NOTES 8 & 9 ADDED, CONCRETE STRENGTH GRADES.
A	J.C.	1/2/95	NOTES 2, 3, 4 & 7. GENERAL NOTES 1 & 2

GENERAL NOTES	
1.	ALL DIMENSIONS ARE IN MILLIMETRES.
2.	CULVERT INLET AND OUTLET STRUCTURES - SELECTION GUIDE

SD 1700

DESIGNED	PRINCIPAL ROAD DESIGN ENGINEER	 3 PROSPECT HILL ROAD, CAMBERWELL, VICTORIA, 3124 PHONE NO. (03) 9811 8355 FAX NO. (03) 9811 8329		
APPROVED	1.2.95 <i>J. Cunningham</i>			
CATALOG	PRED	SCALE	HOR	NOT TO SCALE
PROJECT	sddgnew	OF	METRES	VER
FILENAME	sd-1981c.dgn			

STANDARD DRAWING				
REINFORCED CONCRETE WINGWALL				
TYPES 1, 2 & 3				
BOX CULVERTS 600 TO 900 HIGH				
FILE NO.	CONTRACT NO.	SHEET NO.	DRAWING NO.	ISSUE
			SD 1981	C