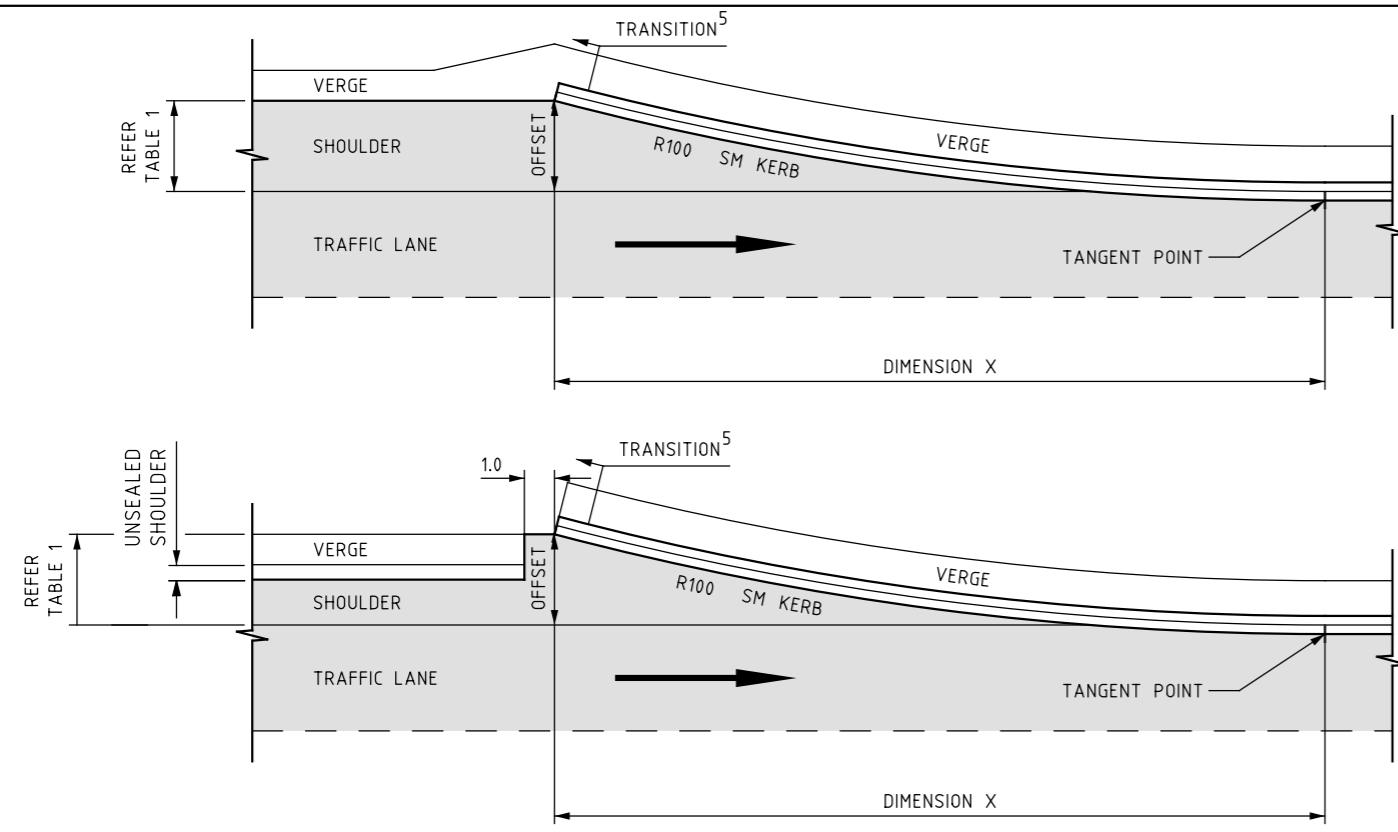
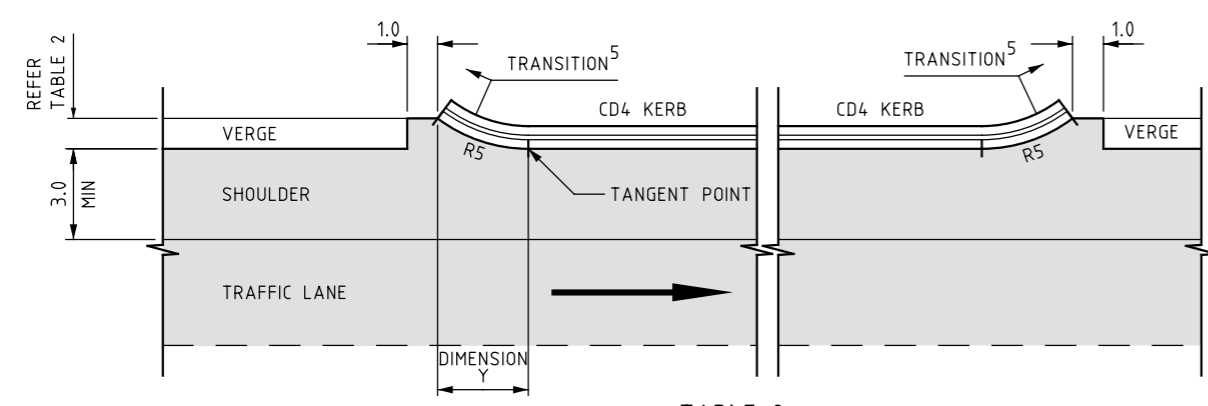
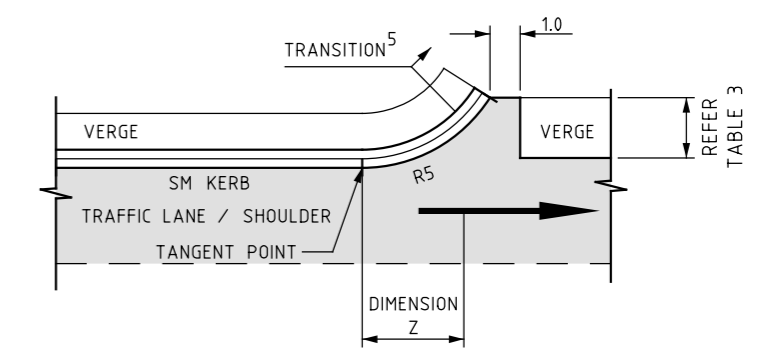
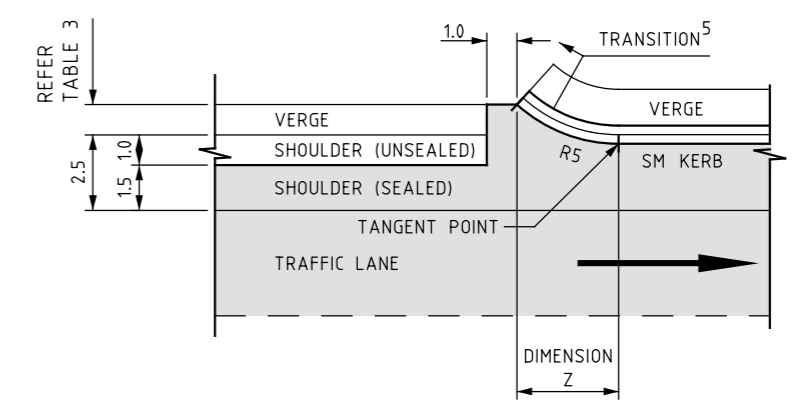
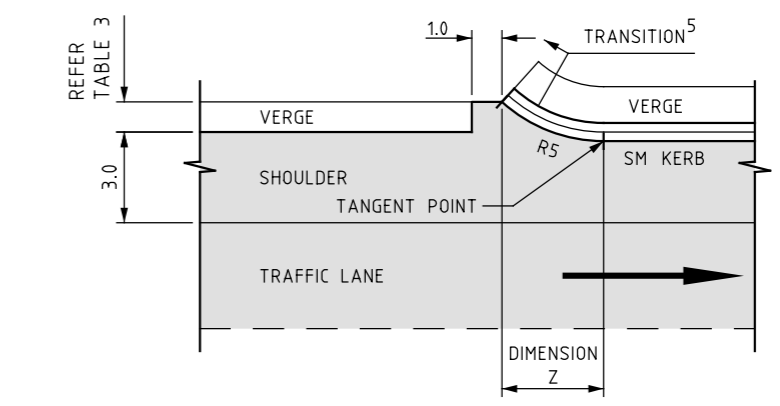


ISSUE	APP'D	DATE	AMENDMENT



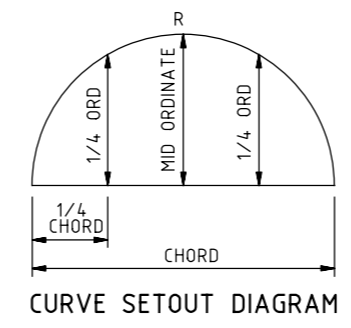
**TABLE 1**  
APPROACH CURVE SETTING OUT DETAILS

OFFSET	DIMENSION X	RADIUS	CHORD	QUARTER CHORD	MID ORDINATE	QUARTER ORDINATE
0.5	12.62	100	12.65	3.16	0.20	0.15
1.0	16.07	100	16.13	4.03	0.33	0.24
1.5	18.89	100	18.97	4.74	0.45	0.34
2.0	21.32	100	21.45	5.35	0.58	0.43
2.5	23.50	100	23.66	5.91	0.70	0.53
3.0	25.48	100	25.69	6.41	0.83	0.62
3.5	27.31	100	27.57	6.88	0.96	0.72
4.0	29.00	100	29.33	7.31	1.08	0.81



**TABLE 2**  
APPROACH & DEPARTURE CURVE SETTING OUT DETAILS

VERGE	DIMENSION Y	RADIUS	CHORD	QUARTER CHORD	MID ORDINATE	QUARTER ORDINATE
1.0	3.00	5.0	3.16	0.78	0.26	0.19
1.5	3.57	5.0	3.87	0.95	0.39	0.29
2.0	4.00	5.0	4.47	1.09	0.53	0.39



**TABLE 3**  
APPROACH & DEPARTURE CURVE SETTING OUT DETAILS

VERGE	DIMENSION Z	RADIUS	CHORD	QUARTER CHORD	MID ORDINATE	QUARTER ORDINATE
1.0	3.36	5.0	3.61	0.89	0.34	0.25
1.5	3.84	5.0	4.24	1.04	0.47	0.36
2.0	4.21	5.0	4.80	1.16	0.61	0.47

VICROADS DRAWING NO 720255

REFERENCES AND NOTES:

- ALL DIMENSIONS ARE IN METRES
- ALL DIMENSIONS ARE TO THE LIP OF KERB AND CHANNEL
- CONCRETE SHALL BE NORMAL - CLASS N25 STANDARD STRENGTH GRADE COMPLYING WITH THE REQUIREMENT OF AS1379  
REFER TO VICROADS STANDARD SPECIFICATION SECTION 703 FOR REQUIREMENTS OF CONCRETE USED IN KERB EXTRUSION MACHINES
- DRAINAGE OUTLET TREATMENT NOT SHOWN
- PROVIDE TRANSITION IN ACCORDANCE WITH SD 2102

AS 1379 SPECIFICATION AND SUPPLY OF CONCRETE  
AS 2876 CONCRETE KERBS AND CHANNELS (GUTTERS)  
MANUALLY OR MACHINE PLACED  
AS 3600 CONCRETE STRUCTURES  
VR SPECIFICATION 703 GENERAL CONCRETE PAVING  
SD 2001 KERBS  
SD 2102 SM KERB TRANSITION

TECHNICAL CONSULTING  
3 PROSPECT HILL ROAD  
CAMBERWELL  
VICTORIA 3124  
PHONE (03) 9811 8355  
FAX (03) 9811 8329



**KERBS SD2101**  
SM & CD4 KERB TERMINAL  
APPROACH & DEPARTURE

APPROVED  
DANIEL CASSAR (PRDE) 13-8-12

SD NO.  
**SD2101**

ISSUE

