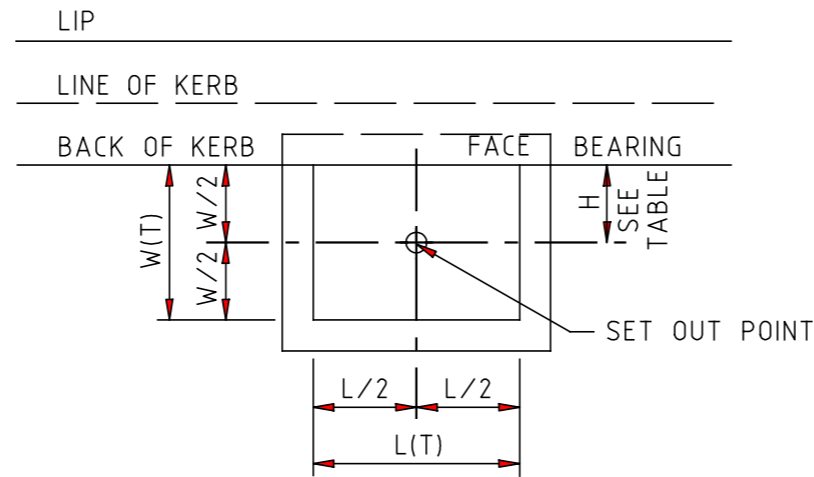
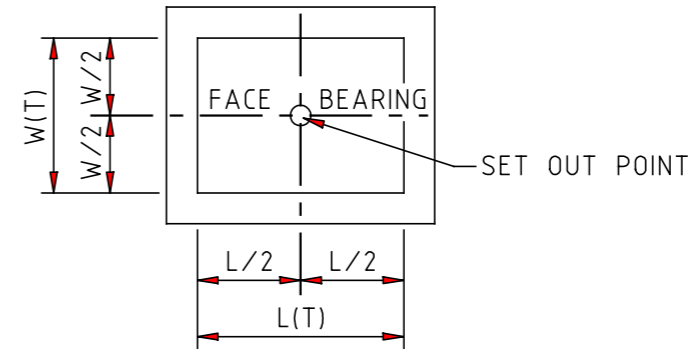


PLAN 1
GRADED SIDE ENTRY PIT
SIDE ENTRY PIT (ON ROAD)



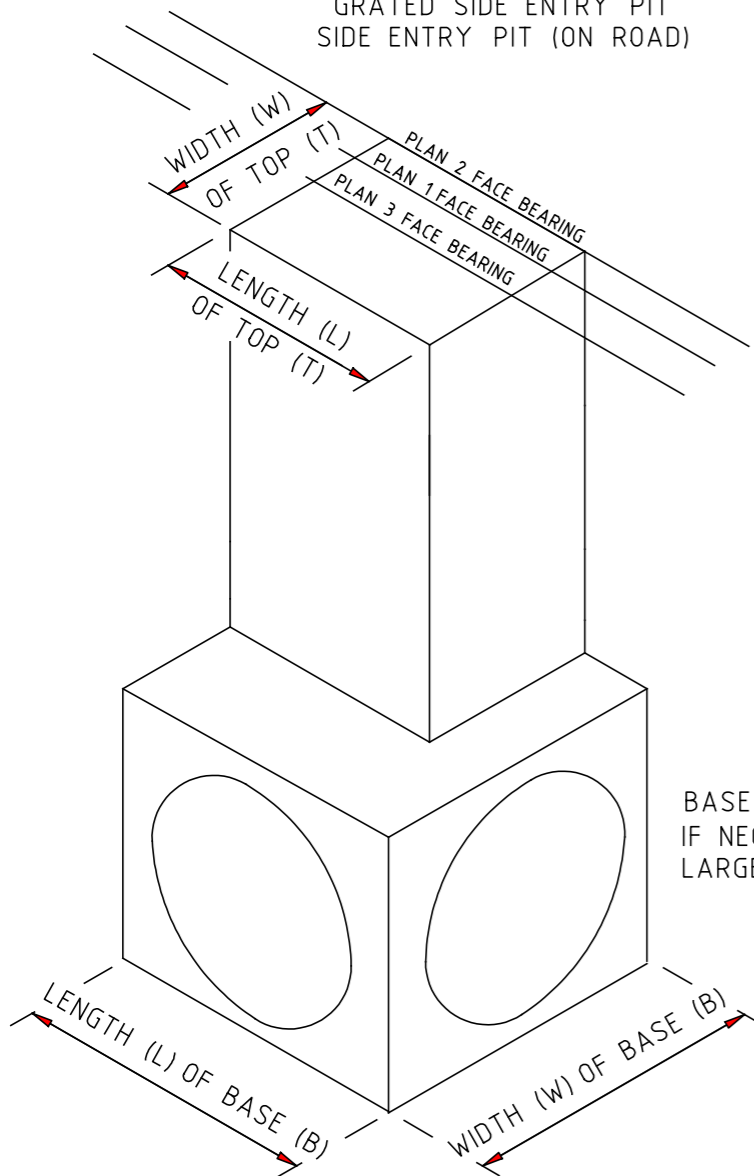
PLAN 2
SIDE ENTRY PIT (OFF ROAD)
(EXCEPT SIDE ENTRY PIT - CD2
REF SD 1231)



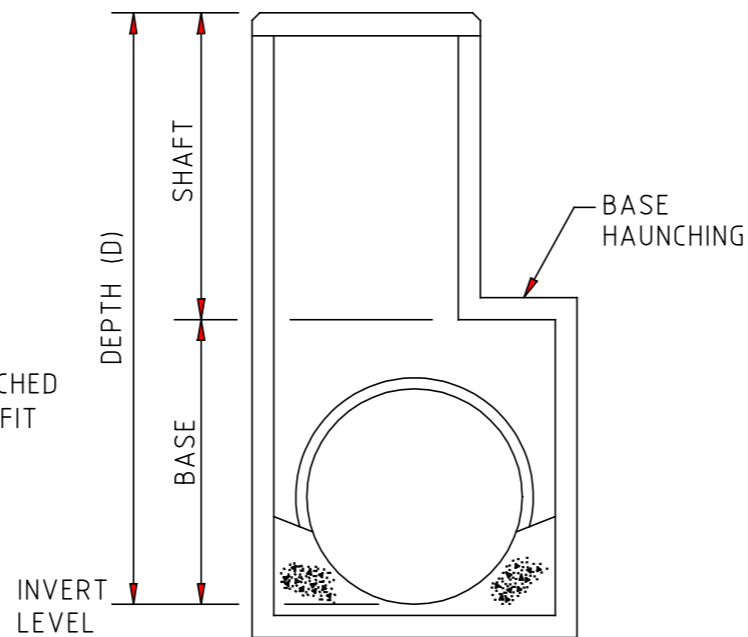
PLAN 3
GRADED PIT, JUNCTION PIT,
END ENTRY PIT AND INLET CATCH PIT

PIT SELECTION AND SET OUT GUIDE

PIT LOCATION	PIT TYPE	MATERIAL OF COVER /GRATE	DRAWING NOS.	SET OUT POINT	
				DISTANCE 'H' ON PLAN	VERT. POSITION
ON ROAD	JUNCTION	CAST IRON	SD 1131	NOT APPLICABLE	TOP OF PIT COVER
	SIDE ENTRY	CAST IRON	SD 1281, SD 1282, SD 1291	SM KERB: 475 B KERB: 375	TOP OF KERB
	GRADED SIDE ENTRY	MILD STEEL	SD 1321, SD 1322	SM KERB: 375 B KERB: 310	TOP OF KERB
	GRADED (FOR OPEN GRADED ASPHALT SURFACE)	MILD STEEL	SD 1441	NOT APPLICABLE	TOP OF PIT COVER
OFF ROAD	JUNCTION	CONCRETE	SD 1121		
	GRADED	MILD STEEL	SD 1401, SD 1411, SD 1431	NOT APPLICABLE	TOP OF PIT COVER
		CONCRETE	SD 1421		
	END ENTRY	CONCRETE	SD 1141		
	INLET CATCH	CONCRETE	SD 1101, SD 1102, SD 1111, SD 1112		
			SD 1301, SD 1311	375	TOP OF KERB
	SIDE ENTRY	CONCRETE	SD 1271, SD 1272		
CAST IRON					
SIDE ENTRY WITH CD2 CHANNEL	CONCRETE	SD 1231	375 (TO BACK OF LINTEL)	TOP OF PIT COVER	
GENERAL	UNHAUNCHED	AS ABOVE	SD 1011	AS ABOVE	
	HAUNCHED	AS ABOVE	SD 1021		



INTERNAL PIT DIMENSIONS



SHAFT CONFIGURATIONS
PIT WITH HAUNCHED BASE

BASE TO BE HAUNCHED IF NECESSARY TO FIT LARGE PIPES

ISSUE	APP'D	DATE	AMENDMENT
E			
D			
C	J.B.	1/8/02	FACE BEARINGS ADDED TO INTERNAL PIT.
B	J.C.	1/7/95	GRADED PIT FOR OPEN GRADED ASPHALT SURFACE ADDED TO TABLE.
A	J.C.	SEPT94	GENERAL NOTE 2, 3 & 4, SET OUT POINT AMENDED, TABLE REPLACED

GENERAL NOTES

- STEP IRON DETAILS SD 1041
- PIT COVERS SD 1051
- KERBS SD 2001
- CD2 CHANNEL SD 2002

DESIGNED
PRINCIPAL ROAD
DESIGN ENGINEER

APPROVED 22.9.94

CATALOG: PRED PROJECT: sddgnnew



COMPUTER FILE: sd-1001c.dgn
SCALE OF METRES: NOT TO SCALE
HOR VER

STANDARD DRAWING
PIT DIMENSIONING
AND SETTING OUT DETAILS

FILE NO. 705
CONTRACT NO.
SHEET NO.
DRAWING NO. SD 1001
ISSUE C