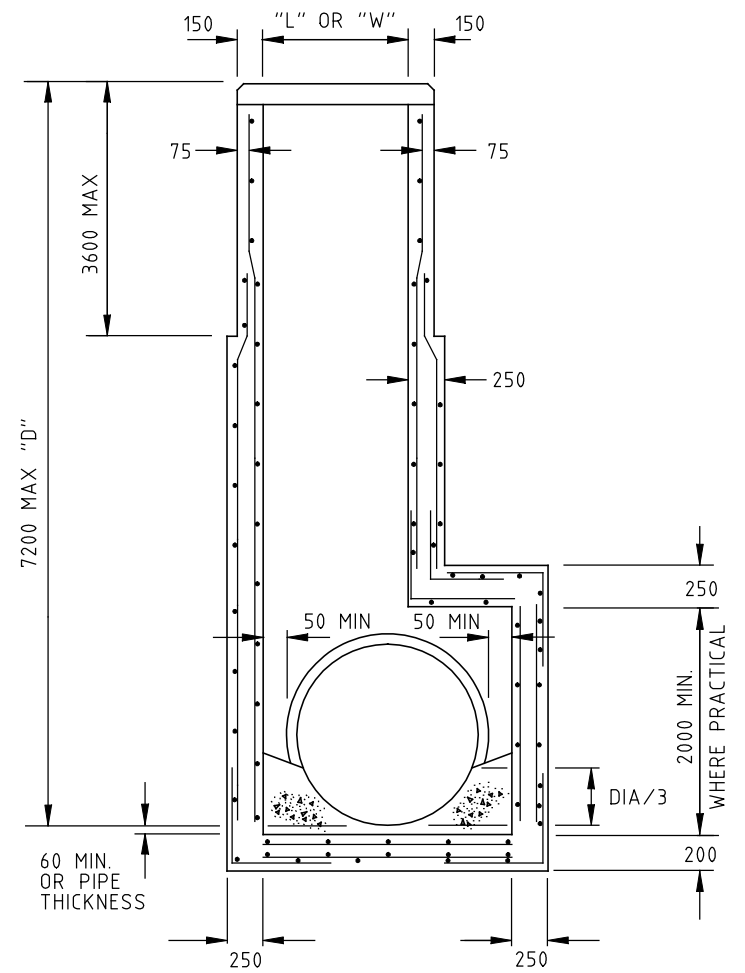
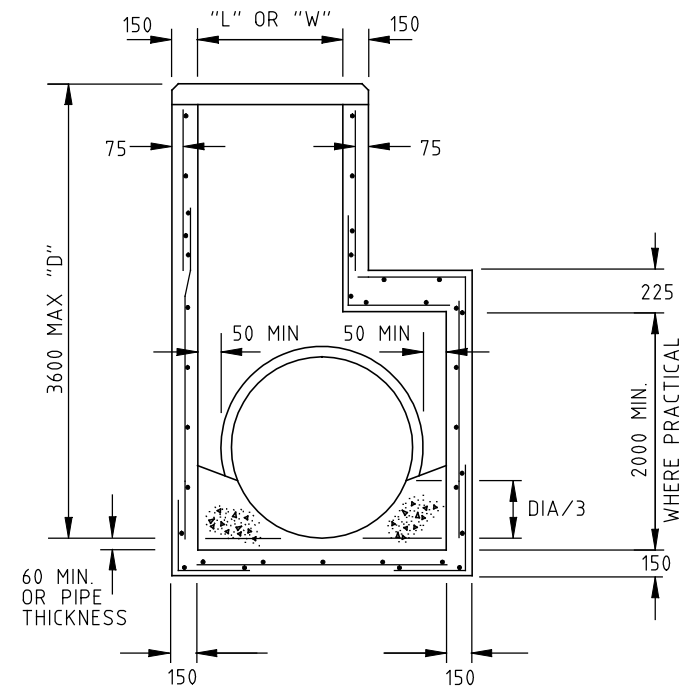


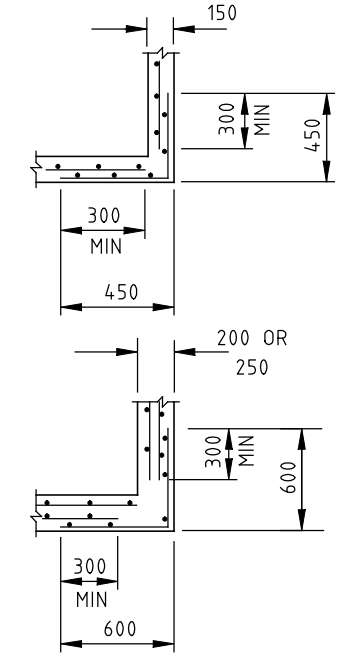
PITS 7201 TO 10800 DEPTH



PITS 3601 TO 7200 DEPTH



PITS UP TO 3600 DEPTH

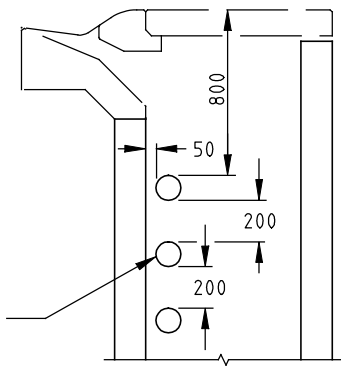


CORNER DETAILS
PLAN VIEW

REINFORCEMENT DETAILS

PIT LENGTH "L"	REINFORCEMENT
UP TO 1200	F92
1201 TO 1800	F918
1801 TO 2400	F1218

FORM THREE 120 DIA HOLES IN SIDE WALLS TO ACCOMMODATE PAVEMENT DRAINS IN BOTH SIDES.



PRECAST PIT

NOTES:

- MINIMUM PIT SIZES:
- | DEPTH | INTERNAL DIMENSIONS | |
|--------------|-----------------------|-------------------------|
| | PITS IN TRAFFIC LANES | PITS IN OTHER LOCATIONS |
| 0 - 1200 | 750 x 750 | 750 x 750 |
| 1201 UPWARDS | 750 x 750 | 750 x 1000 |
- PITS WITH HAUNCHING IN TWO DIRECTIONS REQUIRE SPECIAL STRUCTURAL DESIGN. THE STANDARD DETAILS DO NOT APPLY.
 - FOR DETAILS OF SPECIFIC PITS, REFER TO PIT SCHEDULE.
 - PIT REINFORCEMENT DETAILS ARE SHOWN IN TABLE. FABRIC IN SHAFT SHALL HAVE THE MAIN BARS POSITIONED HORIZONTALLY. LAPS TO BE 300 MIN. CLEAR COVER TO BE 50 MIN. CORNER RETURN REINFORCEMENT MAY BE FABRIC OR EQUIVALENT BARS. BARS GRADE 400Y & FABRICS TO COMPLY WITH AS/NZS 4671 CONCRETE SHALL BE NORMAL-CLASS N32 STANDARD STRENGTH GRADE OR HIGHER COMPLYING WITH THE REQUIREMENTS OF AS 1379. EXPOSURE CLASSIFICATIONS UP TO AND INCLUDING B1.
 - PITS DEEPER THAN 1000 SHALL BE FITTED WITH STEP IRONS, REFER SD 1041.
 - FOR TOP OF PIT DETAILS, REFER TO PIT SCHEDULE AND RELEVANT STANDARD DRAWINGS.
 - PRECAST UNITS MAY BE CONSTRUCTED TO THE MANUFACTURER'S DETAILS. THE DESIGN SHALL COMPLY WITH THE AS 5100 BRIDGE DESIGN AND THE FOLLOWING ADDITIONAL REQUIREMENTS:
 - COMBINED FACTORED LATERAL PRESSURE AT ANY POINT AT THE ULTIMATE LIMIT STATE SHALL BE NOT LESS THAN 25 kPa.
 - ADEQUATE DRAINAGE SHALL BE PROVIDED TO PIT WALLS TO AVOID HYDROSTATIC PRESSURE.
 - VERTICAL LOAD 210 kN APPLIED ANYWHERE ON PIT.
 - MINIMUM REINFORCEMENT AREA SHALL BE 150 mm²/m.
 - CONCRETE SHALL BE NORMAL-CLASS N32 STANDARD STRENGTH OR HIGHER COMPLYING WITH THE REQUIREMENTS OF AS 1379. EXPOSURE CLASSIFICATIONS UP TO AND INCLUDING B1.
 - SUBSURFACE DRAIN HOLES TO BE SEALED IF NOT USED.

sd-1021c.dgn 30/03/2006 12:04:35 PM

E			GENERAL NOTES		DESIGNED	PRINCIPAL ROAD DESIGN ENGINEER	 3 PROSPECT HILL ROAD, CAMBERWELL, VICTORIA, 3124 PHONE NO. (03) 9811 8355 FAX NO. (03) 9811 8329	STANDARD DRAWING			
D			1. PIT DIMENSIONING AND SETTING OUT DETAILS	SD 1001	APPROVED	23.9.94		HAUNCHED PITS			
C	J.K.	1/7/05	AS 1302 & 1304 SUPERSEDED BY AS/NZS 4671. AUSTRALIAN BRIDGE CODE 1996 SUPERSEDED BY AS 5100 BRIDGE DESIGN				FILE NO.	CONTRACT NO.	SHEET NO.	DRAWING NO.	ISSUE
B	J.C.	1.2.98	AMENDMENTS TO NOTES 4 & 7 CONCRETE STRENGTH GRADES								
A	J.C.	1.9.94	AMENDMENTS TO HAUNCHING DEPTH, GEN. NOTE 5, NOTES 2, 4, 7 & 8, INVERT DEPTH.								
ISSUE	APP'D	DATE	AMENDMENT		CATALOG	PRED	SCALE	HOR	NOT TO SCALE		
				2. UNHAUNCHED PITS	PROJECT	sddgnnew	OF				
				3. STEP IRONS	FILENAME	sd-1021c.dgn	METRES	VER			
				4. PIT COVERS						SD 1021	C
				5. ALL DIMENSIONS ARE IN MILLIMETRES							