

NOTES:

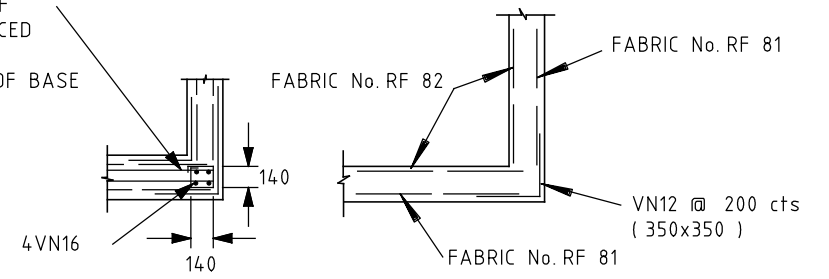
CONCRETE

1. CONCRETE STRENGTH GRADE SHALL BE N32 STANDARD STRENGTH CONCRETE OR HIGHER COMPLYING WITH THE REQUIREMENTS OF AS.1379
2. ALL CORNERS SHALL HAVE 20x20 mm FILLETS OR CHAMFERS UNLESS NOTED OTHERWISE.

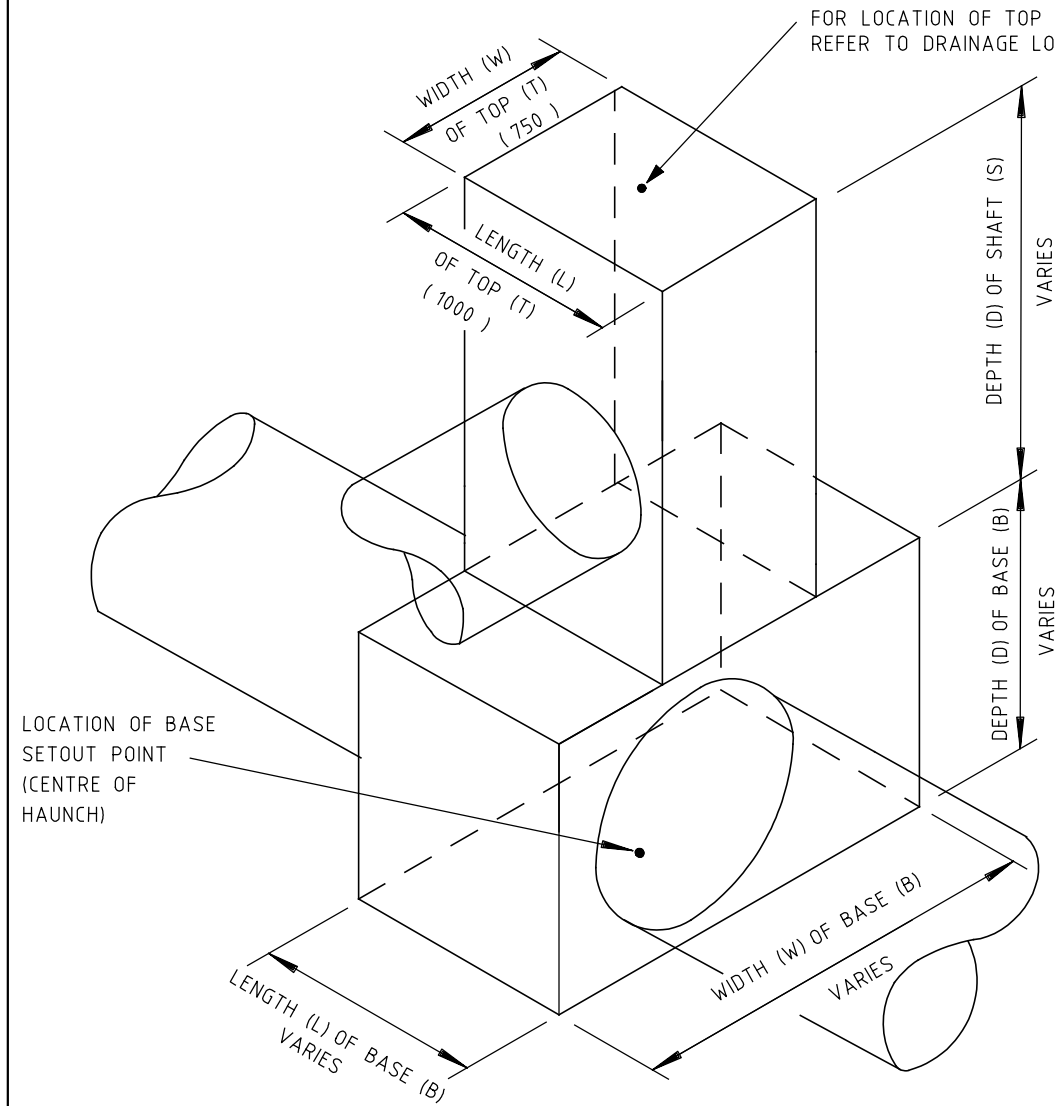
REINFORCEMENT

3. COVER - 35mm UNLESS NOTED OTHERWISE
4. SPACING - TAKEN AS EQUAL UNLESS NOTED OTHERWISE
5. GRADE - 500(VN) TO AS/NZS 4671
6. WELDED WIRE REINFORCING FABRIC SHALL COMPLY TO AS/NZS 4671
7. WELDING - SHALL NOT BE PERMITTED UNLESS NOTED OTHERWISE
8. TREADS - FOR STEP IRON DETAILS REFER STD.DRG.NO.SD1041
9. STEELWORK SHALL BE HOT DIP GALVANIZED AFTER FABRICATION IN ACCORDANCE WITH AS/NZS 4680
10. STEP IRONS NOT SHOWN FOR CLARITY

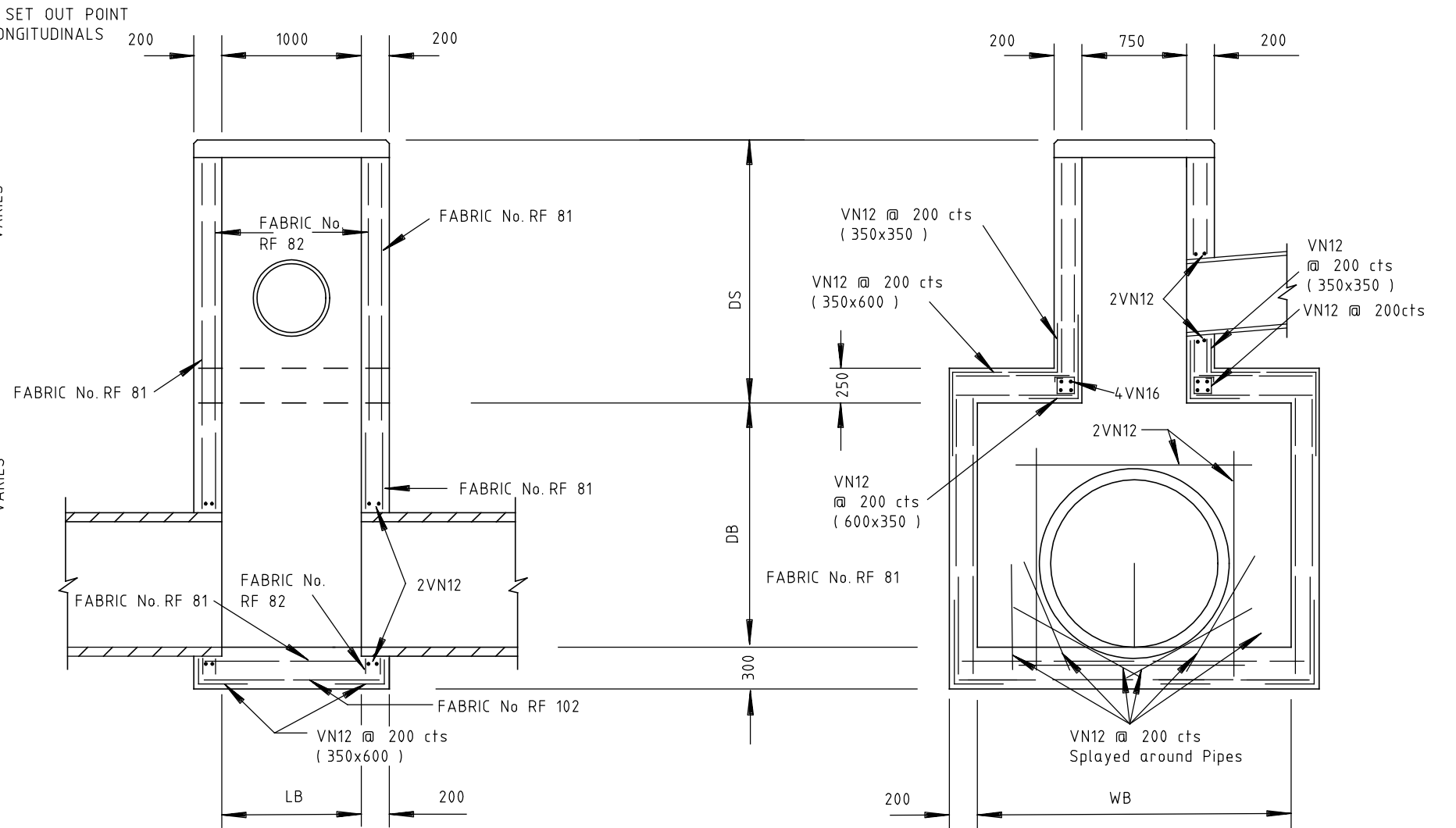
4VN16 IN DIRECTION OF LENGTH OF BASE PLACED ABOVE 4VN16 IN DIRECTION OF WIDTH OF BASE



CORNER DETAILS - PLAN VIEW



TYPICAL INTERNAL PIT DIMENSIONS



TYPICAL SECTIONS THROUGH PIT LENGTH & WIDTH

E			
D			
C			
B			
A	J.K.	1/7/05	NOTE 1 AND 8 AMENDED
ISSUE	APP'D	DATE	AMENDMENT

GENERAL NOTES
 ALL DIMENSIONS ARE IN MILLIMETRES
 REFER TO DRAINAGE LONGITUDINALS FOR PIT SETOUT POINTS & LEVELS
 REFER TO SETOUT CO-ORDINATES FOR EXACT LOCATION OF PIT SHAFT.
 STEP IRON DETAILS SD 1041B

DESIGNED PRINCIPAL ROAD DESIGN ENGINEER
 APPROVED *[Signature]* Date 1/8/02
 CATALOG PRED PROJECT sddgnnew FILENAME s-d-1022a.dgn

vicroads design
 ENGINEERING & TECHNOLOGY CONSULTANTS
 3 PROSPECT HILL ROAD, CAMBERWELL, VICTORIA, 3124
 PHONE NO. (03) 9811 8355 FAX NO. (03) 9811 8329

SCALE HOR NOT TO SCALE
 OF METRES VER

STANDARD DRAWING
DOUBLE HAUNCHED PIT TYPE A

FILE NO.	CONTRACT NO.	SHEET NO.	DRAWING NO.	ISSUE
			SD 1022	A

s-d-1022a.dgn 30/03/2006 12:06:01 PM