

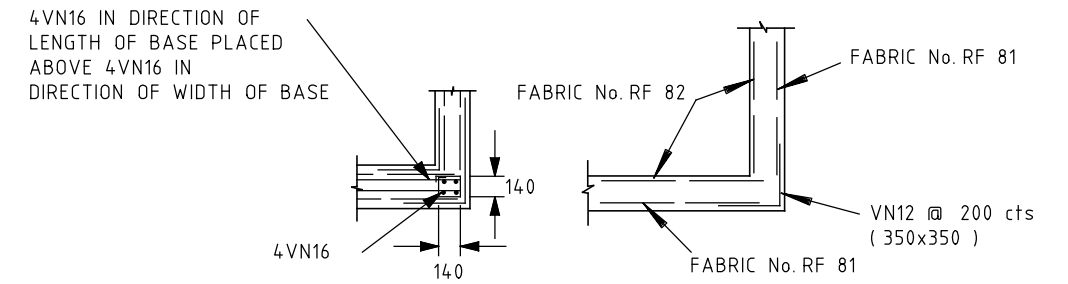
**NOTES:**

**CONCRETE**

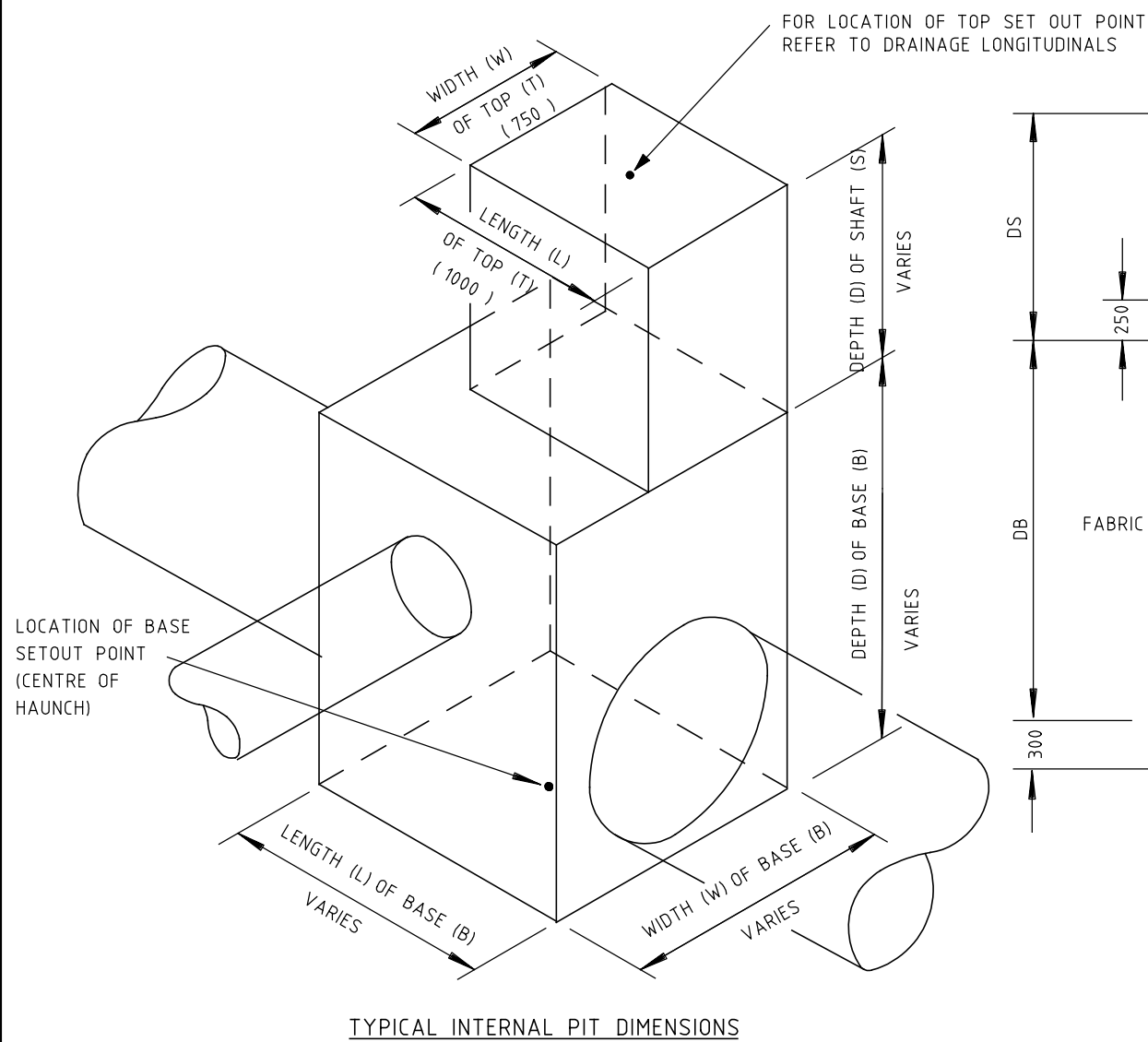
1. CONCRETE STRENGTH GRADE SHALL BE N32 STANDARD STRENGTH CONCRETE OR HIGHER COMPLYING WITH THE REQUIREMENTS OF AS.1379
2. ALL CORNERS SHALL HAVE 20x20 mm FILLETS OR CHAMFERS UNLESS NOTED OTHERWISE.

**REINFORCEMENT**

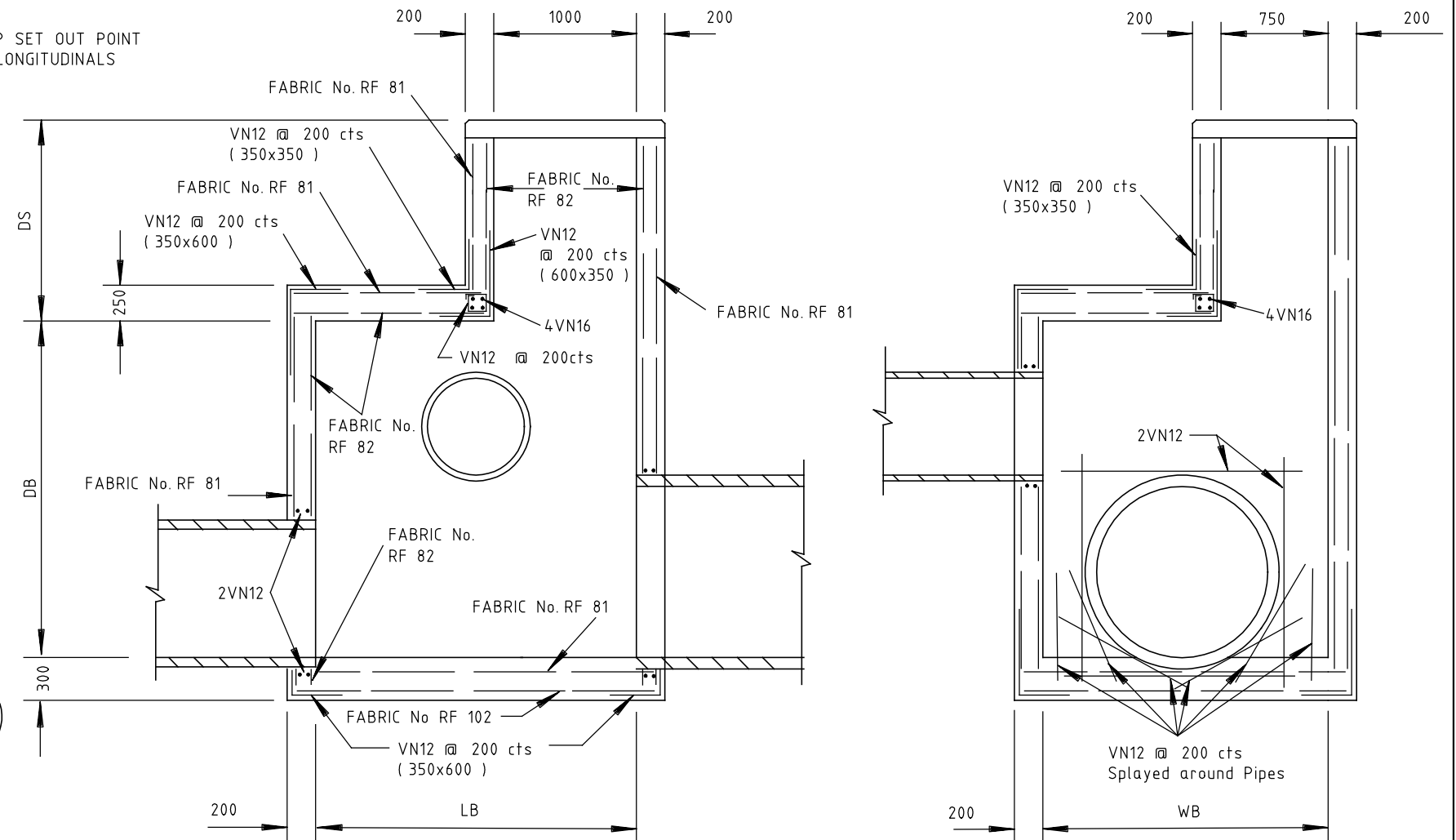
3. COVER - 35mm UNLESS NOTED OTHERWISE
4. SPACING - TAKEN AS EQUAL UNLESS NOTED OTHERWISE
5. GRADE - 500(VN) TO AS/NZS 4671
6. WELDED WIRE REINFORCING FABRIC SHALL COMPLY TO AS/NZS 4671
7. WELDING - SHALL NOT BE PERMITTED UNLESS NOTED OTHERWISE
8. TREADS - FOR STEP IRON DETAILS REFER STD.DRG.NO.SD1041
9. STEELWORK SHALL BE HOT DIP GALVANIZED AFTER FABRICATION IN ACCORDANCE WITH AS/NZS 4680
10. STEP IRONS NOT SHOWN FOR CLARITY



**CORNER DETAILS - PLAN VIEW**



**TYPICAL INTERNAL PIT DIMENSIONS**



**TYPICAL SECTIONS THROUGH PIT LENGTH & WIDTH**

E			
D			
C			
B			
A	J.K.	1/7/05	NOTE 1 AND 8 AMENDED
ISSUE	APP'D	DATE	AMENDMENT

**GENERAL NOTES**  
 ALL DIMENSIONS ARE IN MILLIMETRES  
 REFER TO DRAINAGE LONGITUDINALS FOR PIT SETOUT POINTS & LEVELS  
 REFER TO SETOUT CO-ORDINATES FOR EXACT LOCATION OF PIT SHAFT.  
 STEP IRON DETAILS SD 1041  
 PIT COVERS SD 1051

DESIGNED PRINCIPAL ROAD DESIGN ENGINEER  
 APPROVED *[Signature]* Date 1/8/02  
 CATALOGPREP PROJECT sddgnnew FILENAMEsd-1023a.dgn

3 PROSPECT HILL ROAD, CAMBERWELL, VICTORIA, 3124  
 PHONE NO. (03) 9811 8355  
 FAX NO. (03) 9811 8329

SCALE HOR OF METRES VER NOT TO SCALE

STANDARD DRAWING				
DOUBLE HAUNCHED PIT TYPE B				
FILE NO.	CONTRACT NO.	SHEET NO.	DRAWING NO.	ISSUE
			SD 1023	A

sd-1023a.dgn 30/03/2006 12:07:07 PM