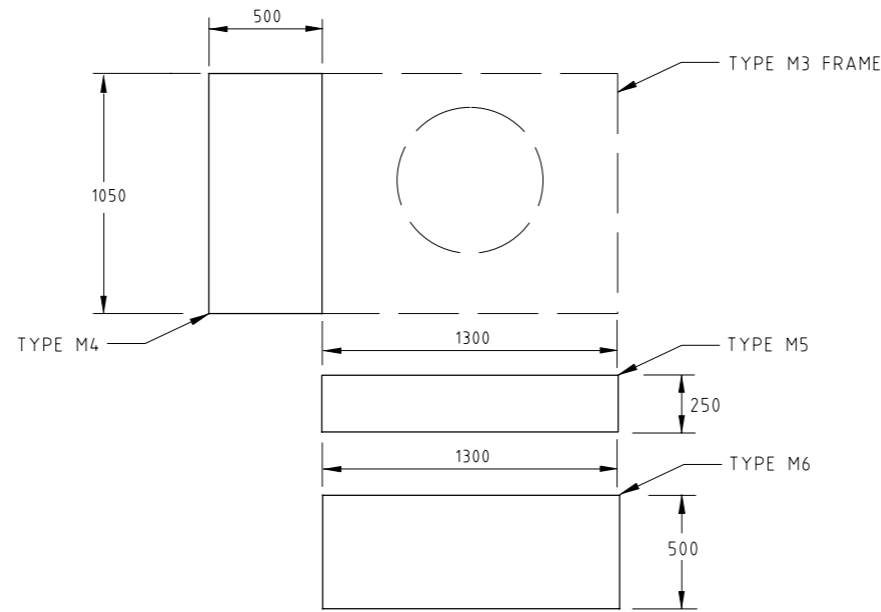
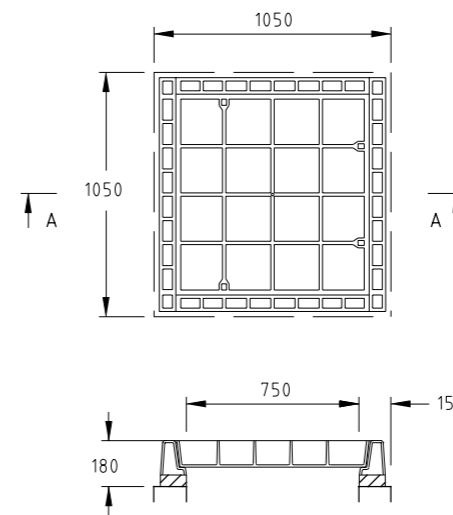


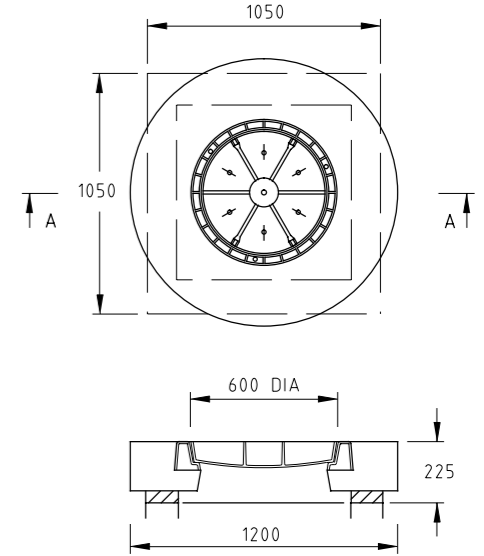
SECTION A-A
SECTION B-B
(LID NOT SHOWN)
TYPE M3
MEDIUM DUTY



COVER EXTENSIONS TYPES M4, M5 & M6
MEDIUM DUTY



SECTION A-A
TYPE H1
HEAVY DUTY
(GATIC B144 OR EQUIVALENT)



SECTION A-A
TYPE H2
HEAVY DUTY
(GATIC H212 OR EQUIVALENT)

"CLASS C"

JUNCTION PIT COVERS

"CLASS D"

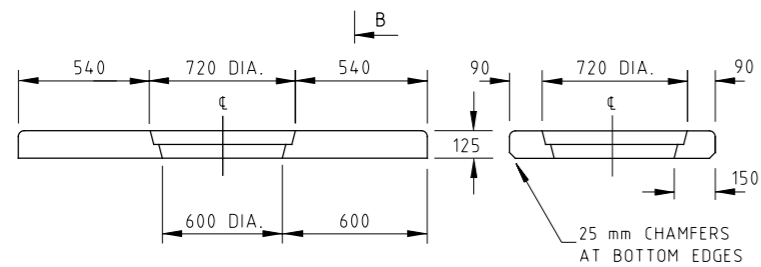
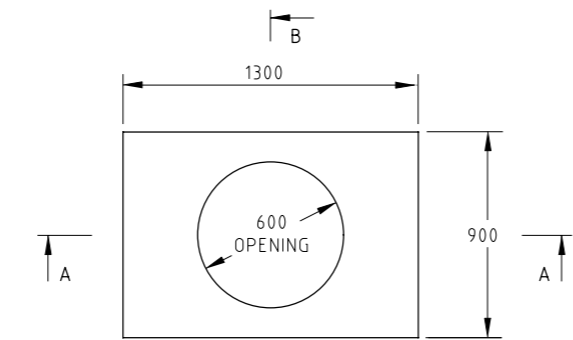
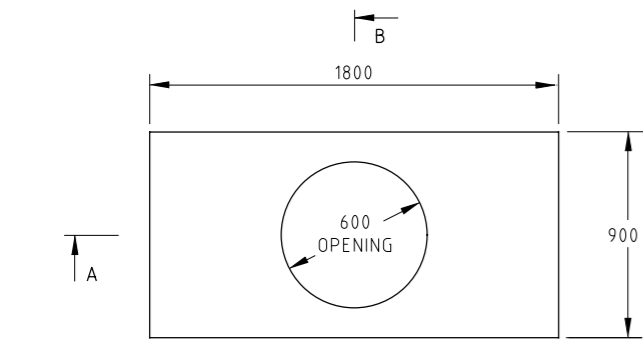
(GATIC H212 OR EQUIVALENT)

- NOTES:
- HEAVY DUTY COVERS SHALL BE USED IN TRAFFIC LANES. MEDIUM DUTY COVERS ARE FOR SHOULDERS AND OFF ROAD USE.
 - COVERS ARE REQUIRED TO SUPPORT THE FOLLOWING TEST LOADS IN ACCORDANCE WITH AS 3996, AND WITH VICROADS INTERIM TEST METHOD FOR TEST LOADING PIT COVERS, LINTELS & LIDS.

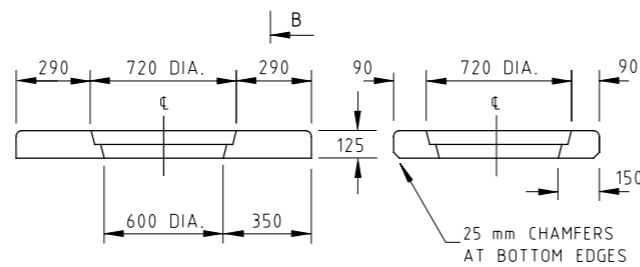
HEAVY DUTY: - LID AND FRAME, INCLUDING CONCRETE SURROUND - 210 kN
MEDIUM DUTY: - CONCRETE FRAME - 100 kN
- CONCRETE COVER EXTENSION - 100 kN
- CONCRETE LID - 60 kN

ALTERNATIVE MATERIALS MAYBE CONSIDERED. HOWEVER THEY NEED TO BE APPROVED AND MEET THE REQUIREMENTS OF AS 3996.
 - STEEL REINFORCEMENT SHALL COMPLY WITH SECTION 611 OF VICROADS SPECIFICATION.
 - CONCRETE SHALL BE CONCRETE GRADE N40 COMPLYING WITH SECTION 610 OF VICROADS SPECIFICATION. EXPOSURE CLASSIFICATIONS UP TO AND INCLUDING B1.
 - MINIMUM CLEAR COVER TO REINFORCEMENT 25 mm FOR PRECAST CONCRETE UNITS.
 - ALL LIDS SHALL HAVE WEIGHT AND CAPACITY IMPRINTS. FOR CONCRETE LIDS, THE LETTERING SIZE SHALL BE 25 mm WITH THE WORD 'DRAIN' IMPRINTED ABOVE WEIGHT AND CAPACITY.
 - ALL LIDS SHALL FIT FLUSH AND HAVE PROVISION FOR LIFTING. CONCRETE LIDS SHALL HAVE TWO LIFTING HOLES OF 25 x 50 MIN.
 - ANCHORAGE MUST BE PROVIDED TO ENSURE THAT FRAMES AND LIDS DO NOT COME LOOSE UNDER TRAFFIC.
 - SPECIAL COVERS ARE REQUIRED FOR SOME PITS (eg SD 1281).
 - ALL EXPOSED EDGES OF CONCRETE FRAMES AND LIDS SHALL BE ROUNDED OR CHAMFERED. (NO FINS OR CHIPS.)
 - CONCRETE FRAMES ARE TO BE SET ON 5 mm MORTAR.
 - JUNCTION PIT COVERS LARGER THAN TYPE M3 MAY BE CONSTRUCTED AS AN INTEGRAL UNIT OR EXTENDED USING UNITS M4, M5 AND M6 AS SHOWN BELOW. THE EXTENSION UNITS SHALL FIT FLUSH WITH THE TYPE M3 COVER.

JUNCTION PIT SIZE (INTERNAL DIMENSIONS)	COMBINATION OF COVER TYPES.
750 x 750	M3, H1 OR H2
750 x 1000	M3
750 x 1500	M3 + M4
750 x 2000	M3 + 2 x M4
1000 x 1000	M3 + M5
1000 x 1500	M3 + M5 + M6
1000 x 2000	M3 + M5 + 2 x M6

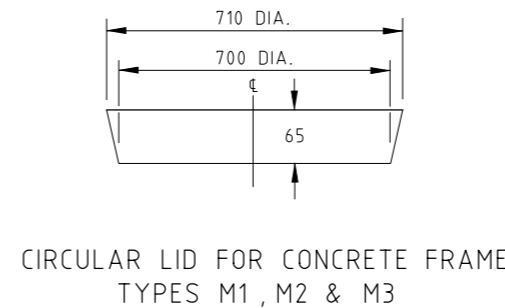


SECTION A-A
SECTION B-B
TYPE M1
MEDIUM DUTY

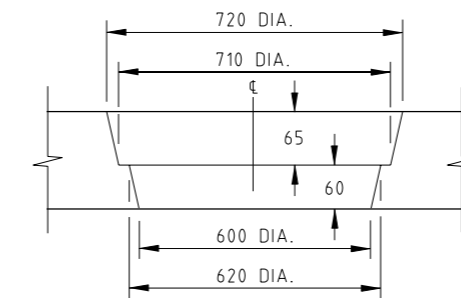


SECTION A-A
SECTION B-B
TYPE M2
MEDIUM DUTY

(LID NOT SHOWN)
SIDE ENTRY PIT ACCESS COVERS



CIRCULAR LID FOR CONCRETE FRAME
TYPES M1, M2 & M3



OPENING OF CONCRETE FRAME
TYPES M1, M2 & M3

2/09/2010 10:01:00 AM Default sd-1051d.dgn

ISSUE	APP'D	DATE	AMENDMENT
E			
D	R.F.	1/9/10	AMENDMENT TO NOTE 2 & 6
C	J.K.	1/7/05	GENERAL NOTE 4 ADDED AND CLASSES ADDED
B	J.C.	1/2/98	AMENDMENT TO NOTE 4, CONCRETE STRENGTH GRADES.
A	J.C.	1/9/94	RE-DRAWN, RECTANGULAR LID DELETED, COVER TYPE CHANGED

GENERAL NOTES
 1. UNHAUNCHED PITS
 2. HAUNCHED PITS
 3. ALL DIMENSIONS ARE IN MILLIMETRES
 4. AS 3996 ACCESS COVERS & GRATES
 CLASS A, B, C, D, F & G
 5. AS 3600 CONCRETE STRUCTURES

SD 1011
SD 1021

TECHNICAL CONSULTING
 3 PROSPECT HILL ROAD,
 CAMBERWELL,
 VICTORIA 3124
 PHONE (03) 9811 8355
 FAX (03) 9811 8329

DESIGNED PRINCIPAL ROAD DESIGN ENGINEER
 APPROVED 22.9.94
J. Cunningham

CAT: PRED
 PROJ: sddgnnew
 FILE: sd-1051d.dgn

vicroads

SCALE OF METRES
NOT TO SCALE

STANDARD DRAWING
PIT COVERS

FILE NO.	CONTRACT NO.	SHEET NO.	DRAWING NO.	ISSUE
			SD 1051	D