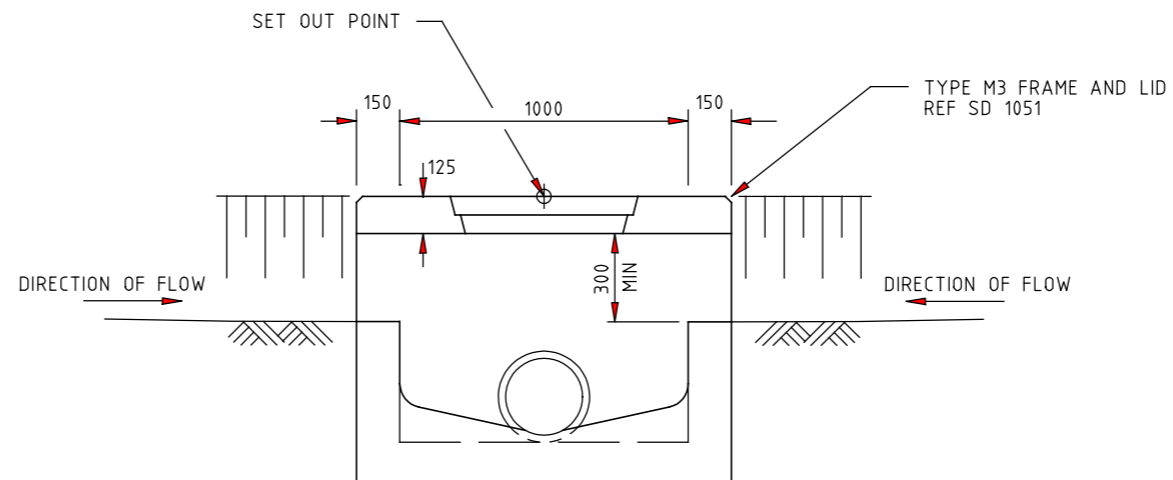
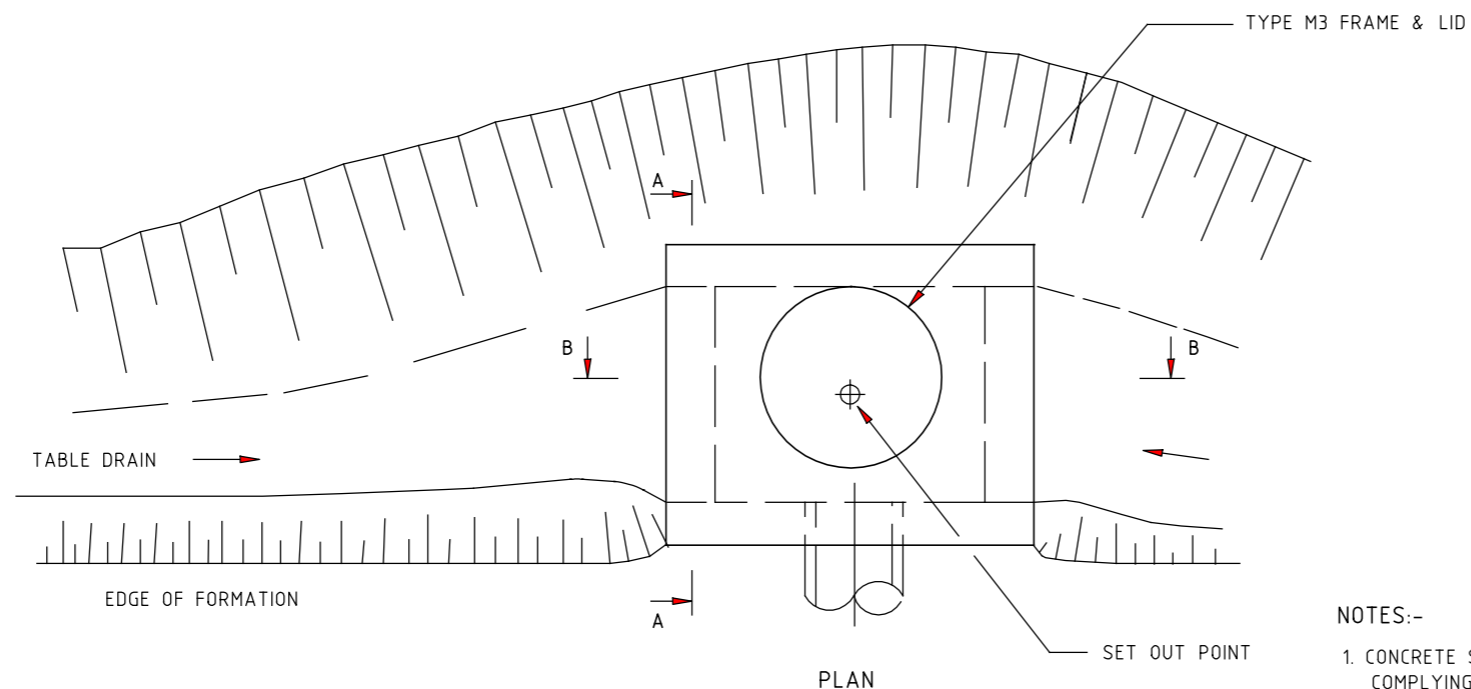


SECTION A-A



SECTION B-B



PLAN

NOTES:-

1. CONCRETE SHALL BE NORMAL-CLASS N32 STANDARD STRENGTH GRADE OR HIGHER COMPLYING WITH THE REQUIREMENTS OF AS 1379. EXPOSURE CLASSIFICATIONS UP TO AND INCLUDING B1.
2. CONCRETE FRAME TO BE SET IN 5 mm MORTAR.

E			
D			
C			
B			
A	J.C.	1.2.98	AMENDMENT TO NOTE 1, CONCRETE STRENGTH GRADE.
AMEND.	Appd.	Date	AMENDMENTS

GENERAL NOTES / CROSS REFERENCES	
1. THIS PIT IS ONLY TO BE USED FOR RURAL ROADS WITH LOW TRAFFIC VOLUMES.	
2. PIT DIMENSIONING AND SETTING OUT DETAILS	SD 1001
3. PIT COVERS	SD 1051
4. ALL DIMENSIONS ARE IN MILLIMETRES	

  
 PRINCIPAL  
 ROAD DESIGN ENGINEER'S  
 DEPARTMENT

STANDARD DRAWING					
INLET CATCH PIT (Type 2)					
PIPE CULVERTS 300 TO 600 DIA					
APPROVED	DATE	SPEC. REF. No.	SHEET No.	DRAWING No.	AMENDMENT
<i>J. Cunningham</i>	23.9.94	705		SD 1102	A
PRINCIPAL RD ENGINEER					