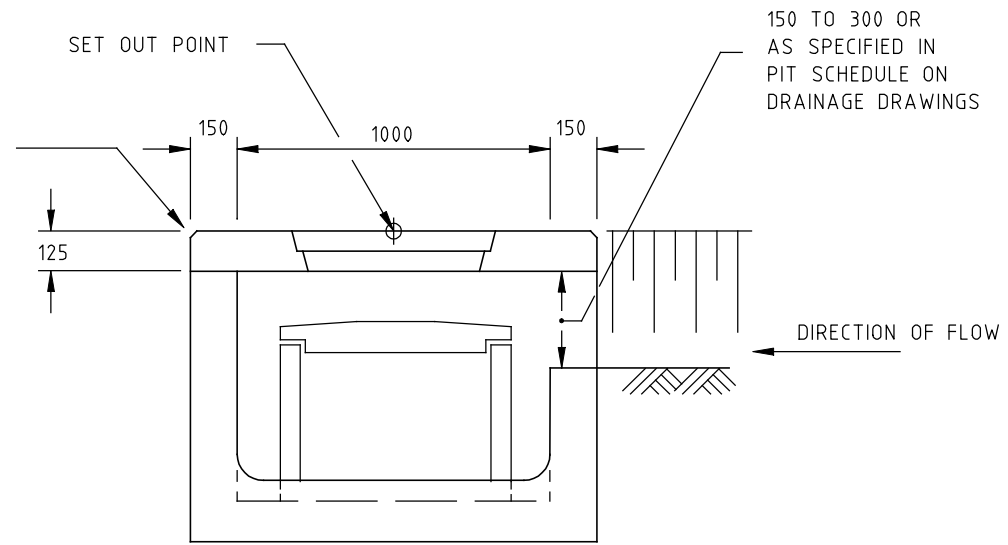
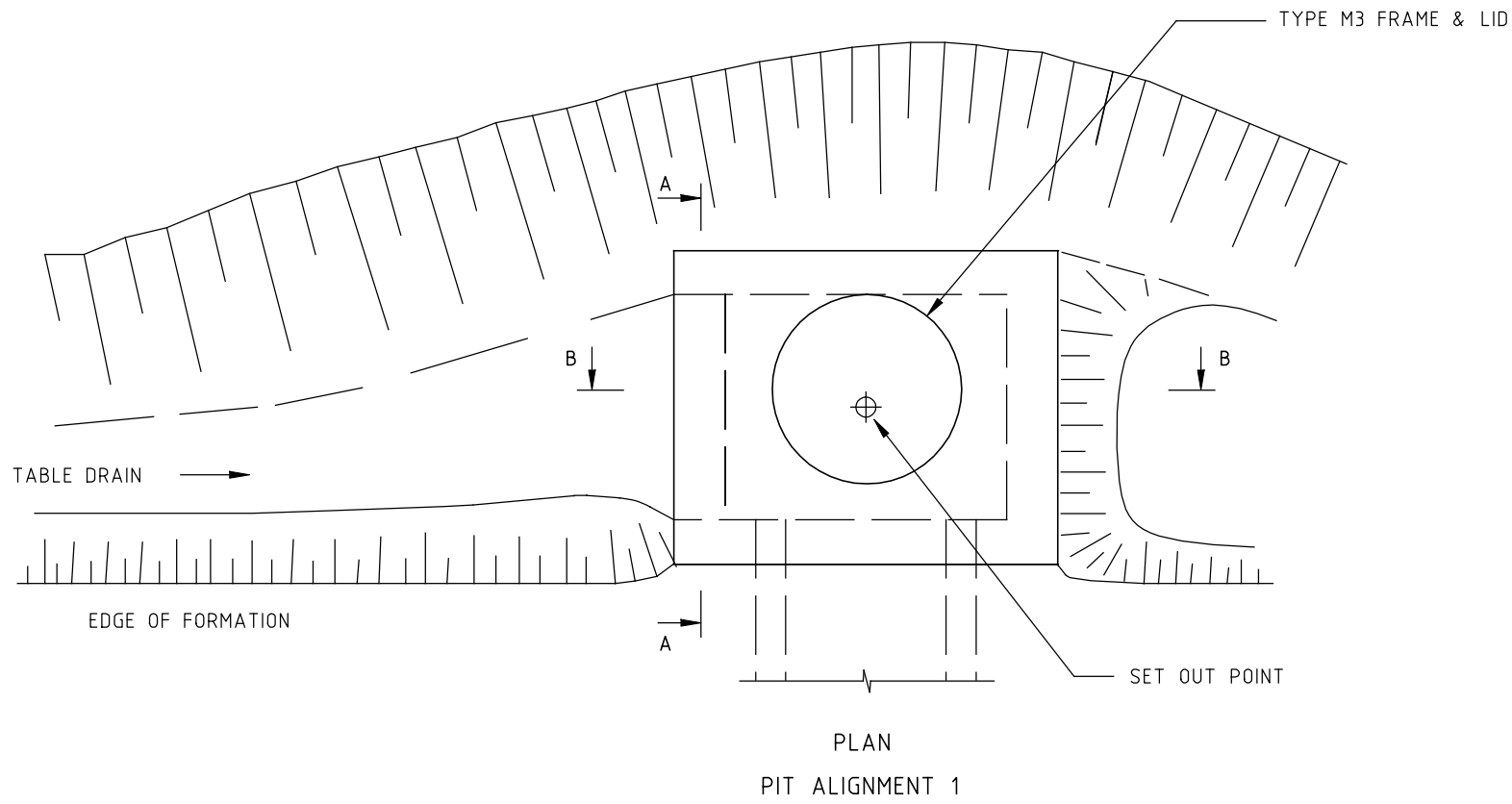


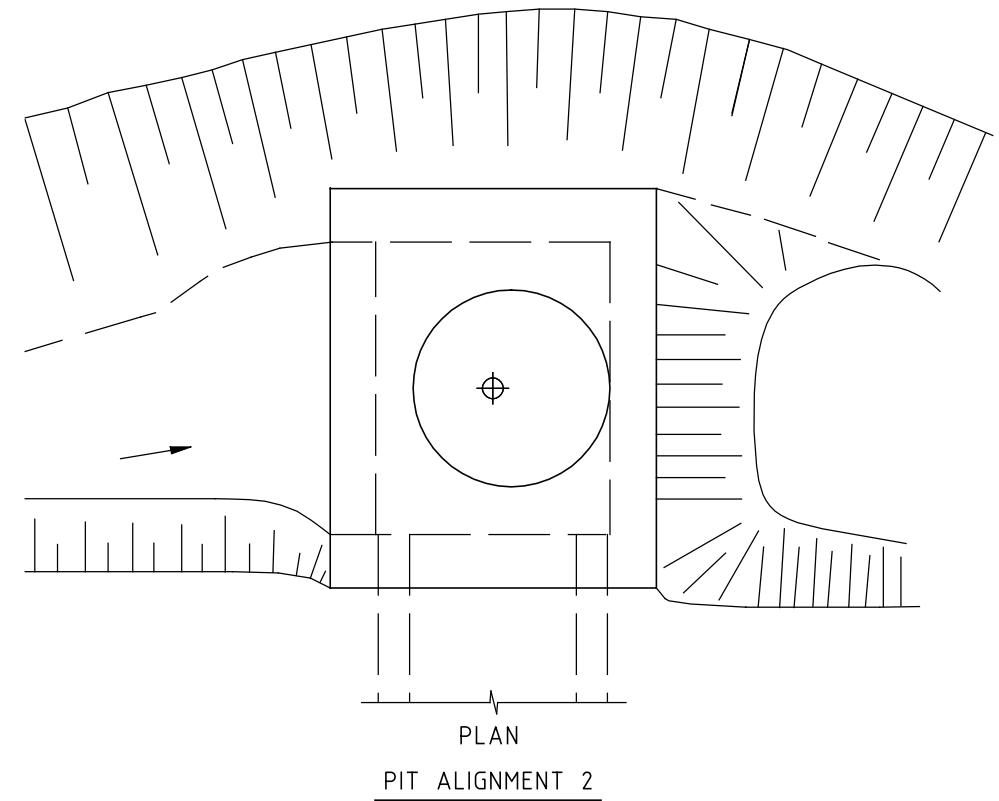
SECTION A-A



SECTION B-B



PLAN
PIT ALIGNMENT 1



PLAN
PIT ALIGNMENT 2

NOTES:-

1. UNLESS SPECIFIED OTHERWISE, PIT ALIGNMENT 1 SHALL BE USED.
2. CONCRETE SHALL BE NORMAL-CLASS N32 STANDARD STRENGTH GRADE OR HIGHER COMPLYING WITH THE REQUIREMENTS OF AS 1379. EXPOSURE CLASSIFICATIONS UP TO AND INCLUDING B1.
3. CONCRETE FRAME TO BE SET IN 5 mm MORTAR.

sd-1111c.dgn 30/03/2006 12:59:12 PM

ISSUE	APP'D	DATE	AMENDMENT
E			
D			
C	J.K.	1/7/05	SECTION B-B NOTE AMENDED
B	J.C.	1/2/98	AMENDMENT TO NOTE 2, CONCRETE STRENGTH GRADES.
A	J.C.	1/9/94	COVERS, ALIGNMENT 2, NOTES 1, 2 & 3, GENERAL NOTE 4, SECTION B-B.

GENERAL NOTES	
1. THIS PIT IS ONLY TO BE USED FOR RURAL ROADS WITH LOW TRAFFIC VOLUMES.	SD 1001
2. PIT DIMENSIONING AND SETTING OUT DETAILS	SD 1051
3. PIT COVERS	
4. ALL DIMENSIONS ARE IN MILLIMETRES	

DESIGNED	PRINCIPAL ROAD DESIGN ENGINEER
APPROVED	23.9.94 <i>J. Cunningham</i>
CATALOG PROJECT FILENAME	PRED sddgnnew sd-1111c.dgn

vicroads design
ENGINEERING & TECHNOLOGY CONSULTANTS

3 PROSPECT HILL ROAD,
CAMBERWELL,
VICTORIA, 3124
PHONE NO. (03) 9811 8355
FAX NO. (03) 9811 8329

SCALE HOR NOT TO SCALE
OF METRES VER

STANDARD DRAWING				
INLET CATCH PIT (TYPE 1) BOX CULVERTS 150 TO 300 HIGH				
FILE NO.	CONTRACT NO.	SHEET NO.	DRAWING NO.	ISSUE
			SD 1111	C