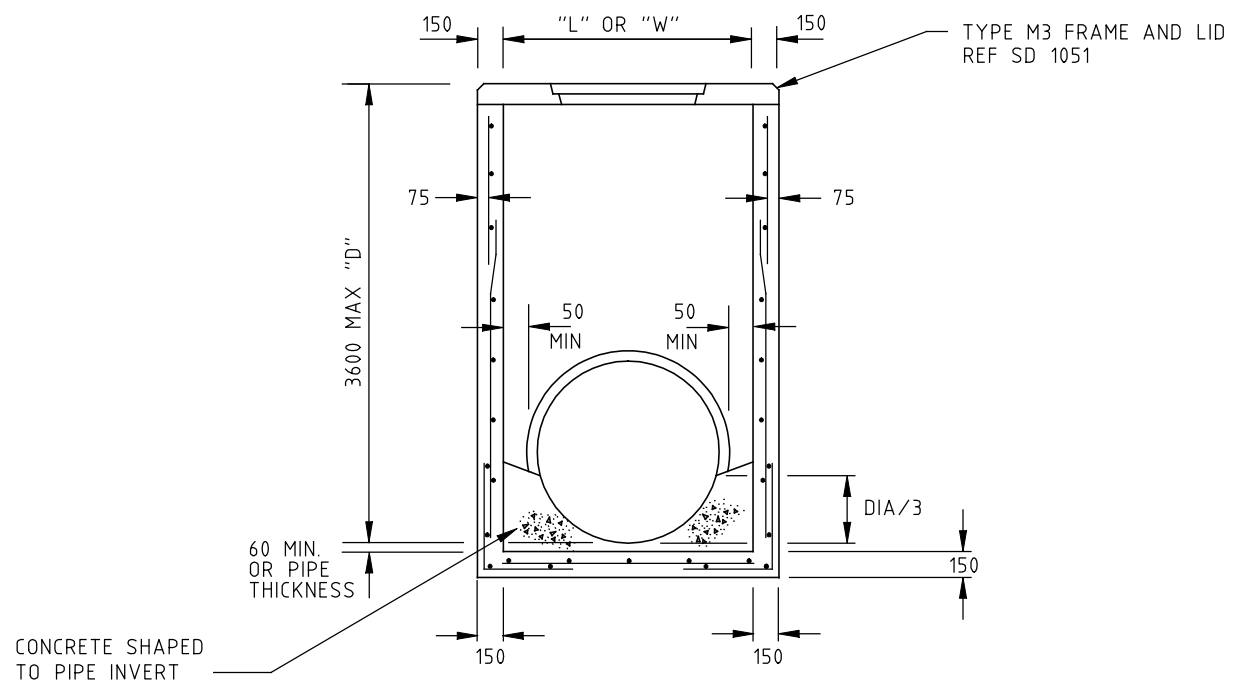


HAUNCHED PITS - UP TO 3600 DEPTH  
(FOR DEEPER PITS AND DETAILS REFER SD 1021)



UNHAUNCHED PITS - UP TO 3600 DEPTH  
(FOR DEEPER PITS AND DETAILS REFER SD 1011)

REINFORCEMENT DETAILS

PIT LENGTH "L"	REINFORCEMENT
UP TO 1200	F92
1201 TO 1800	F918
1801 TO 2400	F1218

NOTES:

- USE 750 x 750 PIT FOR JUNCTION PITS LOCATED IN OR WITHIN 300 mm OF TRAFFIC LANES. THESE PITS REQUIRE HEAVY DUTY COVERS. REFER SD 1131. FOR SUBSURFACE PITS DEEPER THAN 2.5 m USE JUNCTION PITS.
- FOR PITS NOT IN TRAFFIC LANES, THE STANDARD SHAFT SIZE IS 1000 x 750.
- HAUNCHING MAY BE REQUIRED FOR PIPES OVER 450 DIAMETER. REFER TO PIT SCHEDULE FOR SIZES OF SPECIFIC PITS. PITS WITH HAUNCHING IN TWO DIRECTIONS REQUIRE SPECIAL STRUCTURAL DESIGN.
- PIT REINFORCEMENT DETAILS ARE SHOWN IN TABLE. FABRIC IN SHAFT SHALL HAVE THE MAIN BARS POSITIONED HORIZONTALLY. LAPS TO BE 300 MIN. CLEAR COVER TO BE 50 MIN. CORNER RETURN REINFORCEMENT MAY BE FABRIC OR EQUIVALENT BARS. BARS GRADE 400Y & FABRICS TO COMPLY WITH AS/NZS 4671 CONCRETE SHALL BE NORMAL-CLASS N32 STANDARD STRENGTH GRADE OR HIGHER COMPLYING WITH THE REQUIREMENTS OF AS 1379. EXPOSURE CLASSIFICATIONS UP TO AND INCLUDING B1.
- PITS DEEPER THAN 1000 SHALL BE FITTED WITH STEP IRONS. REFER SD 1041.
- PRECAST UNITS MAY BE CONSTRUCTED TO THE MANUFACTURER'S DETAILS. THE DESIGN SHALL COMPLY WITH THE AS 5100 BRIDGE DESIGN AND THE FOLLOWING ADDITIONAL REQUIREMENTS :
  - COMBINED FACTORED LATERAL PRESSURE AT ANY POINT AT THE ULTIMATE LIMIT STATE SHALL BE NOT LESS THAN 25 kPa.
  - ADEQUATE DRAINAGE SHALL BE PROVIDED TO PIT WALLS TO AVOID HYDROSTATIC PRESSURE.
  - VERTICAL LOAD 210 kN APPLIED ANYWHERE ON PIT.
  - MINIMUM REINFORCEMENT AREA SHALL BE 150 mm<sup>2</sup>/m.
  - CONCRETE AGGREGATES SHALL COMPLY WITH TABLE 701.021 OF VICROADS STANDARD SPECIFICATION SECTION 701.
- CONCRETE FRAMES TO BE SET ON 5 mm OF MORTAR.

sd-1121c.dgn  
30/03/2006 12:20:52 PM


ISSUE	APP'D	DATE	AMENDMENT
E			
D			
C	J.K.	1/7/05	AS 1302 & 1304 SUPERSEDED BY AS/NZS 4671. AUSTRALIAN BRIDGE CODE 1996 SUPERSEDED BY AS 5100 BRIDGE CODE
B	J.C.	1/2/98	AMENDMENT TO NOTES 4 & 6, CONCRETE STRENGTH GRADES.
A	J.C.	1/9/94	NOTES 4, 6 & 7, GENERAL NOTE 7, INVERT DEPTH.

GENERAL NOTES

- PIT DIMENSIONING & SETTING OUT DETAILS
- UNHAUNCHED PITS
- HAUNCHED PITS
- STEP IRONS
- PIT COVERS
- JUNCTION PIT - CAST IRON COVER
- ALL DIMENSIONS ARE IN MILLIMETRES

SD 1001  
SD 1011  
SD 1021  
SD 1041  
SD 1051  
SD 1131

DESIGNED	PRINCIPAL ROAD DESIGN ENGINEER
APPROVED	21.9.94 <i>J. Cunningham</i>
CATALOG PROJECT	PRED sddgnew
FILENAME	sd-1121c.dgn

  
 3 PROSPECT HILL ROAD,  
 CAMBERWELL,  
 VICTORIA, 3124  
 PHONE NO. (03) 9811 8355  
 FAX NO. (03) 9811 8329

SCALE HOR OF METRES VER **NOT TO SCALE**

STANDARD DRAWING				
JUNCTION PIT				
CONCRETE COVER				
FILE NO.	CONTRACT NO.	SHEET NO.	DRAWING NO.	ISSUE
			SD 1121	C