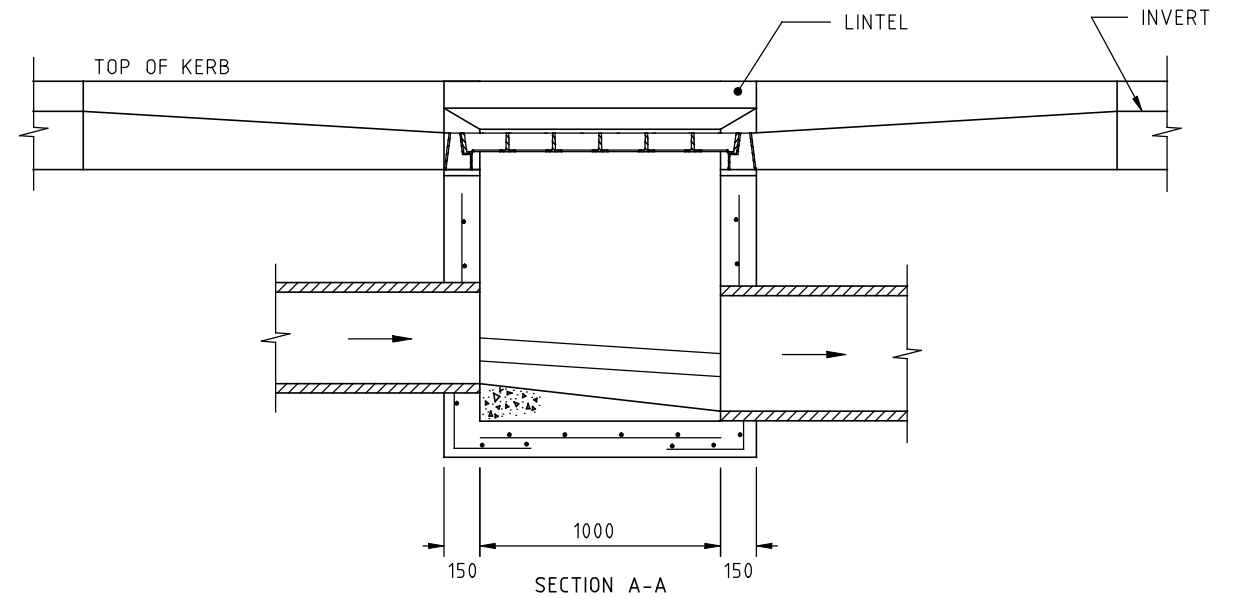
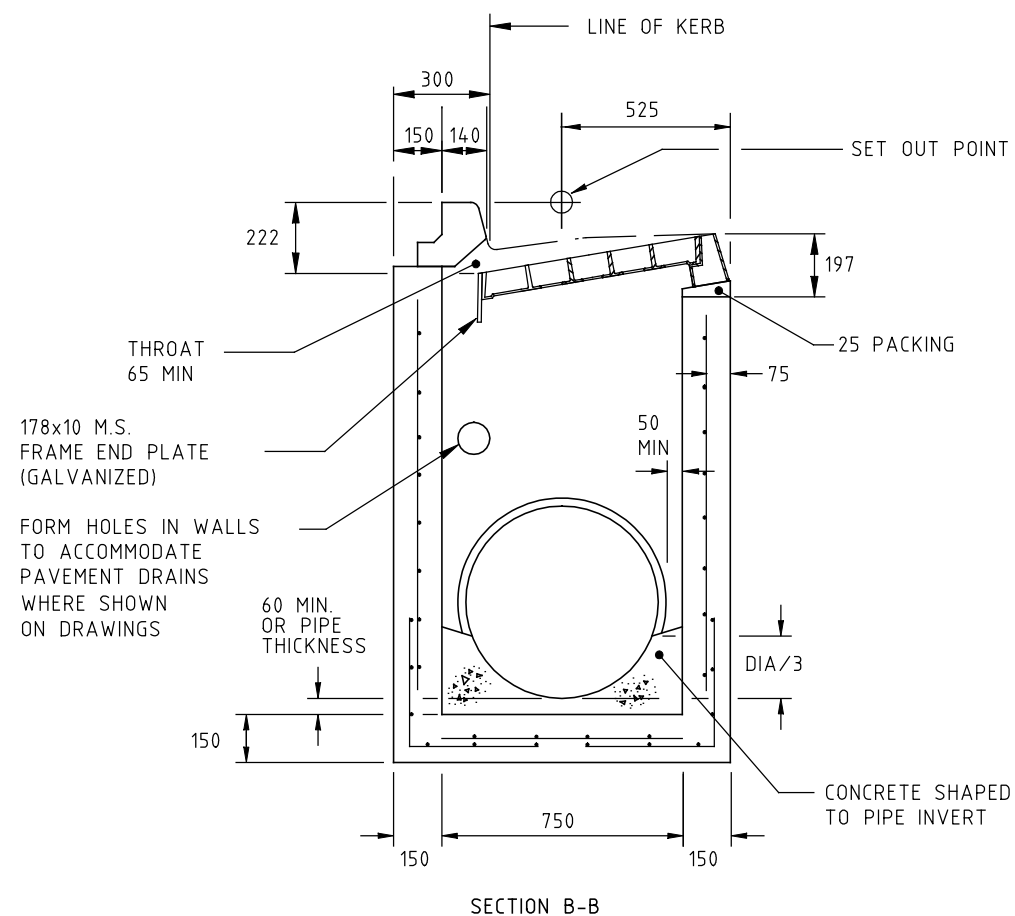


PLAN



SECTION A-A



SECTION B-B

NOTES:


1. HAUNCHING MAY BE REQUIRED FOR PIPES OVER 450 DIA, REFER TO PIT SCHEDULE FOR SIZES OF SPECIFIC PITS. PITS WITH HAUNCHING IN TWO DIRECTIONS REQUIRE SPECIAL STRUCTURAL DESIGN.
2. PIT REINFORCEMENT - F92. LAPS TO BE 300 MINIMUM. CLEAR COVER TO BE 50 MINIMUM. CORNER RETURN REINFORCEMENT MAY BE FABRIC OR EQUIVALENT BARS. BARS GRADE 400Y & FABRICS TO COMPLY WITH AS/NZS 4671. CONCRETE SHALL BE NORMAL-CLASS N32 STANDARD STRENGTH GRADE OR HIGHER COMPLYING WITH THE REQUIREMENTS OF AS 1379. EXPOSURE CLASSIFICATIONS UP TO AND INCLUDING B1.
3. PITS DEEPER THAN 1000 SHALL BE FITTED WITH STEP IRONS. REF SD 1041.
4. CAST IRON COVER SUBJECT TO HEAVY VEHICLE LOADING ARE REQUIRED TO SUPPORT A TEST LOAD OF 210 kN IN ACCORDANCE WITH VICROADS' "INTERIM TEST METHOD FOR TEST LOADING PIT COVERS, LINTELS AND LIDS."
5. CAST IRON COVER AND FRAME TO BE INSTALLED AS ONE UNIT.
6. CONCRETE INFILL FOR COVER AND FRAME SHALL BE N32 AT 28 DAYS, WITH 10 MAX SIZE AGGREGATE. TAMP AND PENCIL VIBRATE.
7. EACH COVER SHALL HAVE WEIGHT AND CAPACITY CLEARLY IMPRINTED ON THE TOP.
8. PRECAST UNITS MAY BE CONSTRUCTED TO THE MANUFACTURER'S DETAILS. THE DESIGN SHALL COMPLY WITH THE AS 5100 BRIDGE DESIGN AND THE FOLLOWING ADDITIONAL REQUIREMENTS :
 - COMBINED FACTORED LATERAL PRESSURE AT ANY POINT AT THE ULTIMATE LIMIT STATE SHALL BE NOT LESS THAN 25 kPa.
 - ADEQUATE DRAINAGE SHALL BE PROVIDED TO PIT WALLS TO AVOID HYDROSTATIC PRESSURE.
 - VERTICAL LOAD 210 kN APPLIED ANYWHERE ON PIT.
 - MINIMUM REINFORCEMENT AREA SHALL BE 150 mm²/m.
 - CONCRETE SHALL BE NORMAL-CLASS N32 STANDARD STRENGTH GRADE OR HIGHER COMPLYING WITH THE REQUIREMENTS OF AS 1379. EXPOSURE CLASSIFICATIONS UP TO AND INCLUDING B1.

sd-1282c.dgn 30/09/2006 3:03:48 PM

ISSUE	APP'D	DATE	AMENDMENT
E			
D			
C	J.K.	1/7/05	AS 1302 & 1304 SUPERSEDED BY AS/NZS 4671. AUSTRALIAN BRIDGE CODE 1996 SUPERSEDED BY AS 5100 BRIDGE CODE
B	J.C.	1/2/98	AMENDMENT TO NOTES 2, 6 & 8, CONCRETE STRENGTH GRADES.
A	J.C.	1/9/94	GEN. NOTE 6, NOTES 2, 4, 6, 8 & 9, SECTION B-B, INVERT DEPTH, SETOUT POINT

GENERAL NOTES	
1. STANDARD PIT DIMENSIONING & SETTING OUT DETAILS	SD 1001
2. UNHAUNCHED PITS	SD 1011
3. HAUNCHED PITS	SD 1021
4. STEP IRONS	SD 1041
5. LINTELS	SD 1061
6. ALL DIMENSIONS ARE IN MILLIMETRES	

DESIGNED	PRINCIPAL ROAD DESIGN ENGINEER
APPROVED	23.9.94 <i>J. Cunningham</i>
CATALOG PROJECT FILENAME	PRED sddgnnew sd-1282c.dgn



3 PROSPECT HILL ROAD,
CAMBERWELL,
VICTORIA, 3124
PHONE NO. (03) 9811 8355
FAX NO. (03) 9811 8329

SCALE	HOR NOT TO SCALE
OF	VER
METRES	

STANDARD DRAWING				
SIDE ENTRY PIT (B TYPE KERB)				
CAST IRON COVER IN ROAD - ONE METRE INLET				
FILE NO.	CONTRACT NO.	SHEET NO.	DRAWING NO.	ISSUE
			SD 1282	C