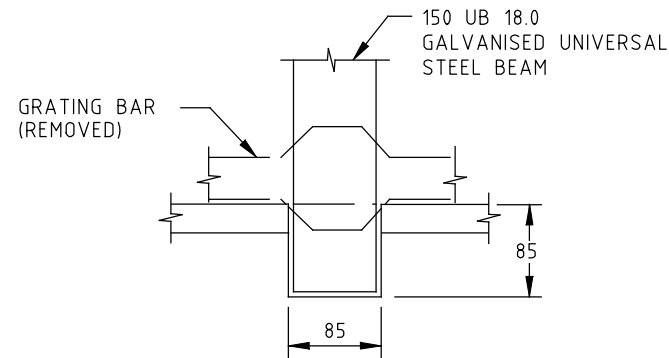
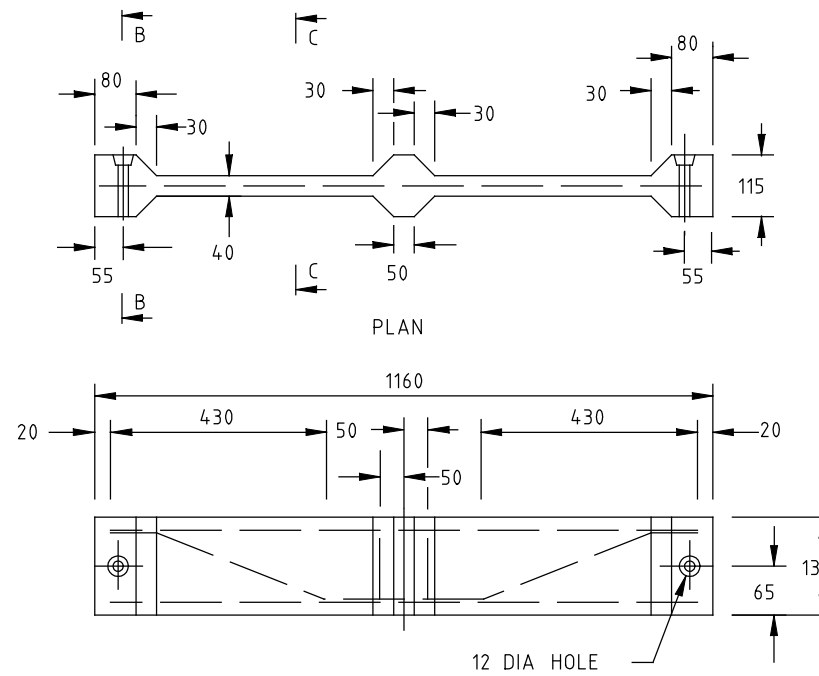


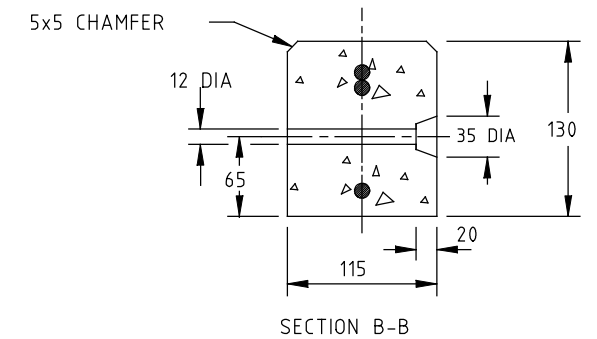
PLAN
(NOT ALL GRATING BARS SHOWN)



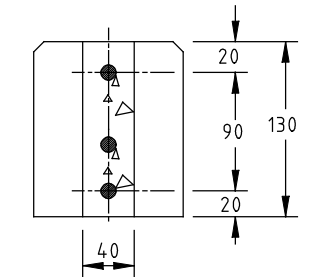
RECESS FOR CROSS BEAM DETAIL



ELEVATION
GRATING BAR



SECTION B-B



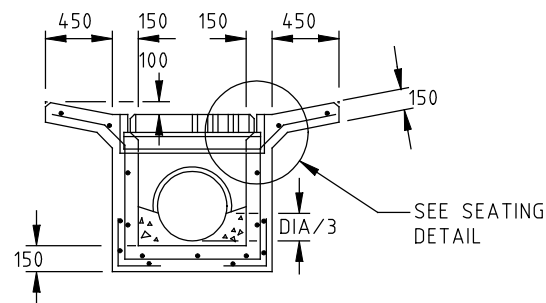
SECTION C-C

NOTES:

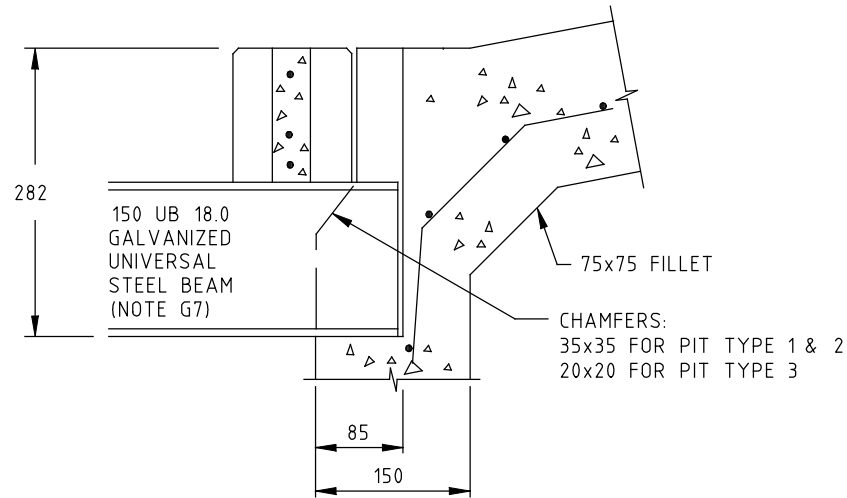
- THIS PIT IS USED IN AREAS SUCH AS MEDIANS WHICH ARE NOT SUBJECT TO PEDESTRIAN, BICYCLE OR REGULAR VEHICULAR TRAFFIC.
- PIT REINFORCEMENT - F92. LAPS TO BE 300 MINIMUM. CLEAR COVER TO BE 50 MINIMUM. CORNER RETURN REINFORCEMENT MAY BE FABRIC OR EQUIVALENT BARS. BARS GRADE 400Y & FABRICS TO COMPLY WITH AS/NZS 4671. CONCRETE SHALL BE NORMAL CLASS N32 STANDARD STRENGTH GRADE OR HIGHER COMPLYING WITH THE REQUIREMENTS OF AS 1379.
- PRECAST UNITS MAY BE CONSTRUCTED TO THE MANUFACTURER'S DETAILS. THE DESIGN SHALL COMPLY WITH THE AS 5100 BRIDGE DESIGN AND AND THE FOLLOWING ADDITIONAL REQUIREMENTS:
 - COMBINED FACTORED LATERAL PRESSURE AT ANY POINT AT THE ULTIMATE LIMIT STATE SHALL BE NOT LESS THAN 25 kPa.
 - ADEQUATE DRAINAGE SHALL BE PROVIDED TO PIT WALLS TO AVOID HYDROSTATIC PRESSURE.
 - VERTICAL LOAD 210 kN APPLIED ANYWHERE ON PIT.
 - MINIMUM REINFORCEMENT AREA SHALL BE 150 mm²/m.
 - CONCRETE SHALL COMPLY WITH SECTION 610 OF VICROADS SPECIFICATIONS.

GRATING BARS:-

- 'TOP' SHALL BE STAMPED ON EACH BAR.
- REINFORCEMENT - ALL 12 DIA GRADE 410 Y DEFORMED BARS SPOT WELDED TOGETHER. REINFORCEMENT BARS SHALL COMPLY WITH AS 1302 / 1991
- MINIMUM COVER TO GRATING BAR REINFORCEMENT TO BE 12 mm.
- GRATE TO BE ASSEMBLED IN UNITS OF TWO OR THREE BARS.
 - TWO BAR UNIT - USE 2 No. M10 DIA.x210 LONG HEX. HD. GALV. BOLTS, NUTS AND WASHERS.
 - THREE BAR UNIT - USE 2 No. M10 DIA.x320 LONG HEX. HD. GALV. BOLTS, NUTS AND WASHERS.
- CONCRETE STRENGTH GRADE SHALL BE N40 OR HIGHER TO COMPLY WITH THE REQUIREMENTS AS 1379.
- ALL DIMENSIONS SHALL BE ACCURATE TO ± 2 mm.
- A PAIR OF BARS HAVE A WHEEL LOAD CAPACITY OF 50 kN. FOR HEAVIER LOADS USE A SUPPORTING BEAM MIDSPAN (SEE DETAILS).



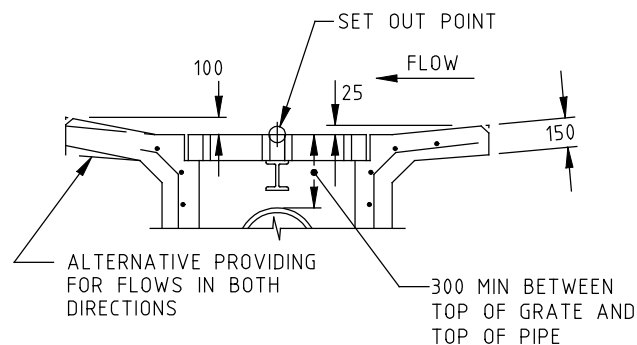
SECTION A-A



CROSS BEAM SEATING DETAIL

GRATE AND CROSS BEAM DIMENSIONS

PIT TYPE	PIT TOP INTERNAL DIMENSIONS		GRATE BARS	GRATE RECESS DIMENSIONS		LENGTH OF CROSS BEAM
1	1000	750	7	1170	830	910
2	1000	1000	9	1170	1065	1160
3	1000	1500	13	1170	1540	1660



PART SECTION B-B

GENERAL NOTES

- STANDARD PITS DIMENSIONING & SETTING OUT DETAILS
- UNHAUNCHED PITS
- HAUNCHED PITS
- STEP IRONS
- ALL DIMENSIONS ARE IN MILLIMETRES

SD 1001
SD 1011
SD 1021
SD 1041

DESIGNED PRINCIPAL ROAD DESIGN ENGINEER

APPROVED 23.9.94
J. Cunningham

CATALOG PRED
PROJECT sddgnnew
FILENAME sd-1421d.dgn



3 PROSPECT HILL ROAD,
CAMBERWELL,
VICTORIA, 3124
PHONE NO. (03) 9811 8355
FAX NO. (03) 9811 8329

STANDARD DRAWING
GRATED PIT
CONCRETE GRATE

FILE NO. CONTRACT NO. SHEET NO. DRAWING NO. ISSUE
SD 1421 D