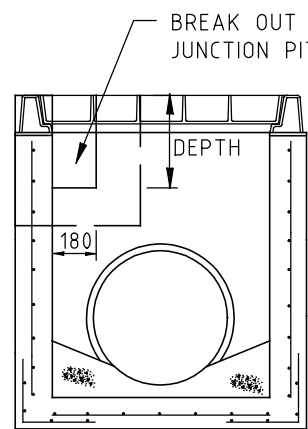
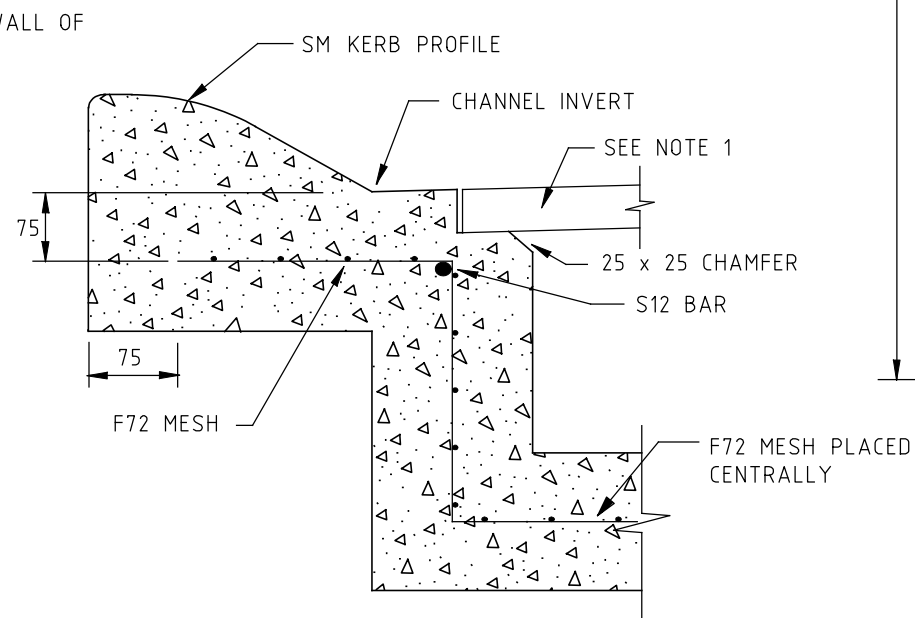


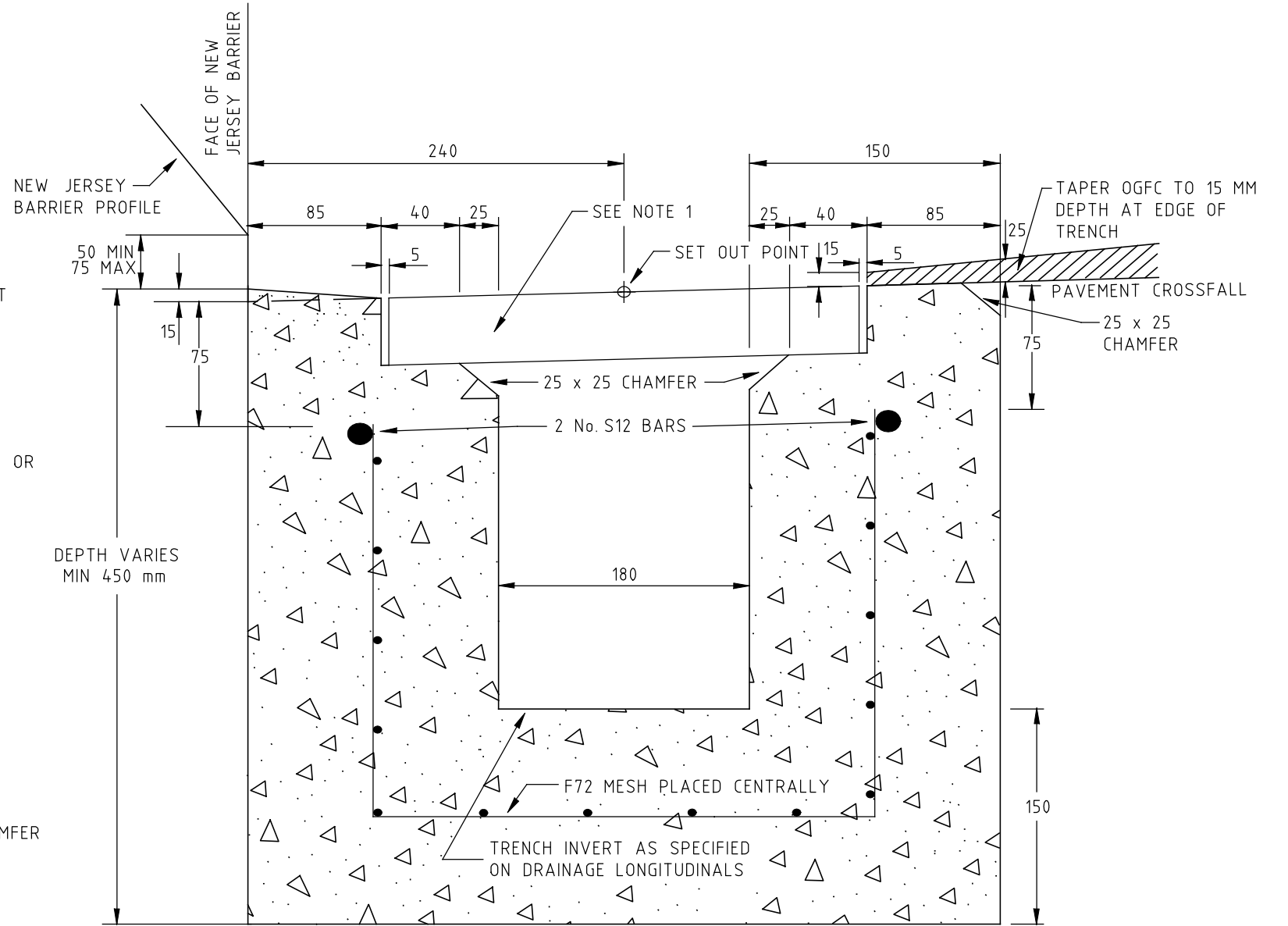
PLAN OF STEEL GRATE



SECTION A-A



TRENCH CROSS SECTION (MODIFIED SM KERB)



TRENCH CROSS SECTION (NEW JERSEY BARRIER)

NOTES:


- GRATE UNITS SHALL HAVE ADEQUATE HYDRAULIC CAPACITY AND SHALL COMPLY WITH THE FOLLOWING REQUIREMENTS:
 - CAPABLE OF SUPPORTING CLASS D MINIMUM ULTIMATE LIMIT STATE DESIGN LOAD TO AS 3996/1992 WITHOUT STRUCTURAL FAILURE.
 - HOT DIP GALVANISED AFTER FABRICATION TO AS/NZS 4680.
 - INSTALLED STRICTLY ACCORDING TO MANUFACTURER'S REQUIREMENTS.
- REINFORCEMENT FABRIC SHALL COMPLY WITH AS/NZS 4671 AND SHALL BE CONTINUOUS AROUND CORNERS LOCATED AS SHOWN ON THE CROSS SECTIONS. LAPS 300 MINIMUM.

- REINFORCEMENT BARS SHALL COMPLY WITH AS/NZS 4671, GRADE 400Y LOCATED AS SHOWN ON THE CROSS SECTIONS. LAPS 25 x BAR DIAMETER MINIMUM.
- CONCRETE SHALL BE NORMAL-CLASS N32 STANDARD STRENGTH GRADE OR HIGHER COMPLYING WITH THE REQUIREMENTS OF AS 1379. EXPOSURE CLASSIFICATIONS UP TO AND INCLUDING B1.
- OGFC DENOTES OPEN GRADED FRICTION COURSE.

sd-1501c.dgn 30/03/2006 3:50:34 PM

ISSUE	APP'D	DATE	AMENDMENT
E			
D			
C	J.K.	1/7/05	AS 1302 & 1304 SUPERSEDED BY AS/NZS 4671. AUSTRALIAN BRIDGE CODE 1996 SUPERSEDED BY AS 5100 BRIDGE CODE
B	J.B.	1/8/02	AMENDMENT TO NOTE 1 AS/NZS 4680
A	J.C.	1.2.98	AMENDMENT TO NOTE 4, CONCRETE STRENGTH GRADES.

GENERAL NOTES	
1. ALL DIMENSIONS ARE IN MILLIMETRES	SD 1051
2. PIT COVERS	SD 1131
3. JUNCTION PIT - CAST IRON COVER	SD 3901
4. NEW JERSEY BARRIER	SD 2001
5. KERBS	

DESIGNED	PRINCIPAL ROAD DESIGN ENGINEER	 <small>3 PROSPECT HILL ROAD, CAMBERWELL, VICTORIA, 3124 PHONE NO. (03) 9811 8355 FAX NO. (03) 9811 8329</small>
APPROVED	1.7.95 <i>J. Cunningham</i>	
CATALOG PROJECT FILENAME	PRED sddgnnew sd-1501c.dgn	SCALE HOR OF METRES VER NOT TO SCALE

STANDARD DRAWING				
GRATED TRENCH				
FILE NO.	CONTRACT NO.	SHEET NO.	DRAWING NO.	ISSUE
			SD 1501	C