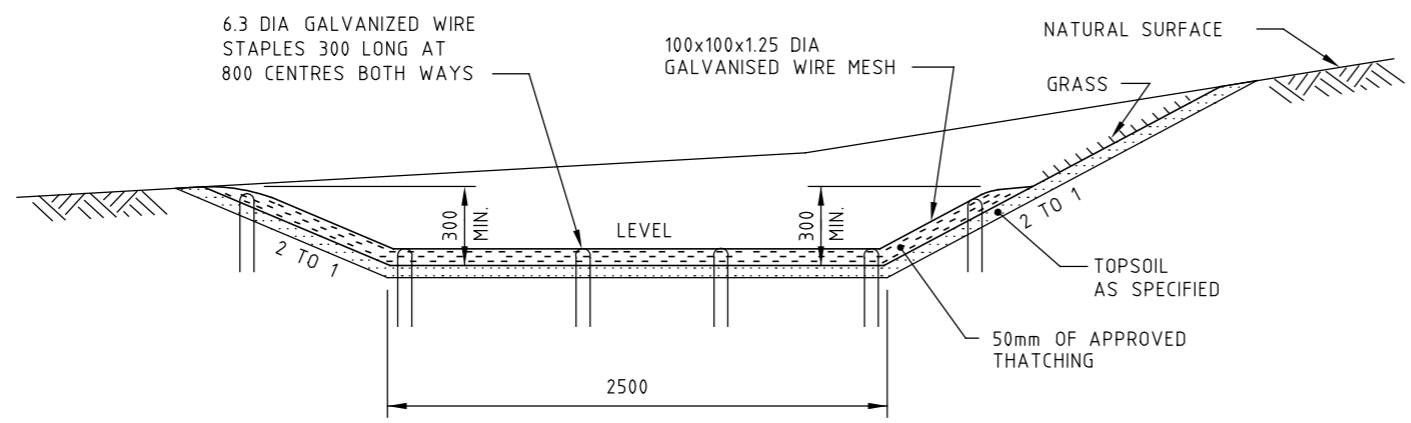
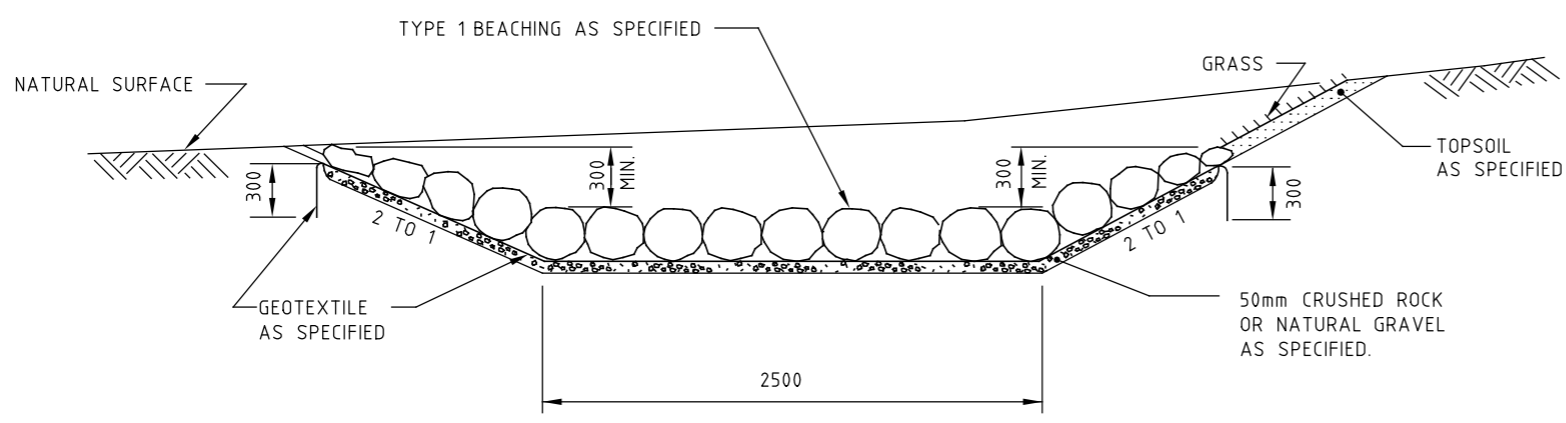


GRASSED CATCH DRAIN



THATCHED CATCH DRAIN



BEACHED CATCH DRAIN

NOTES:

1. CATCH DRAINS SHALL BE CONSTRUCTED WHERE INDICATED ON ALIGNMENT PLANS.
2. CATCH DRAINS SYMBOLS SHOWN ON THE ALIGNMENT PLANS:

GRASSED	→	→
THATCHED	→ T	→
BEACHED	→ B	→
3. CATCH DRAINS SHALL BE GRADED TO CULVERTS, DRAINAGE PITS OR EXISTING LOW POINTS.
4. CATCH DRAINS SHALL BE LINED WITH TOP SOIL AS SHOWN.

E			
D			
C			
B			
A	J . C .	SEPT94	GENERAL NOTE 1, MINIMUM DEPTHS, NOTES 2 & 5.
AMEND.	Appd.	Date	AMENDMENTS

GENERAL NOTES / CROSS REFERENCES
 1. ALL DIMENSIONS ARE IN MILLIMETRES

vicroads
 PRINCIPAL
 ROAD DESIGN ENGINEER'S
 DEPARTMENT

STANDARD DRAWING					
CATCH DRAIN					
TYPE A					
APPROVED	DATE	SPEC. REF. No.	SHEET No.	DRAWING No.	AMENDMENT
<i>J. Cunningham</i>	16.9.94			SD 1521	A
PRINCIPAL RD ENGINEER					