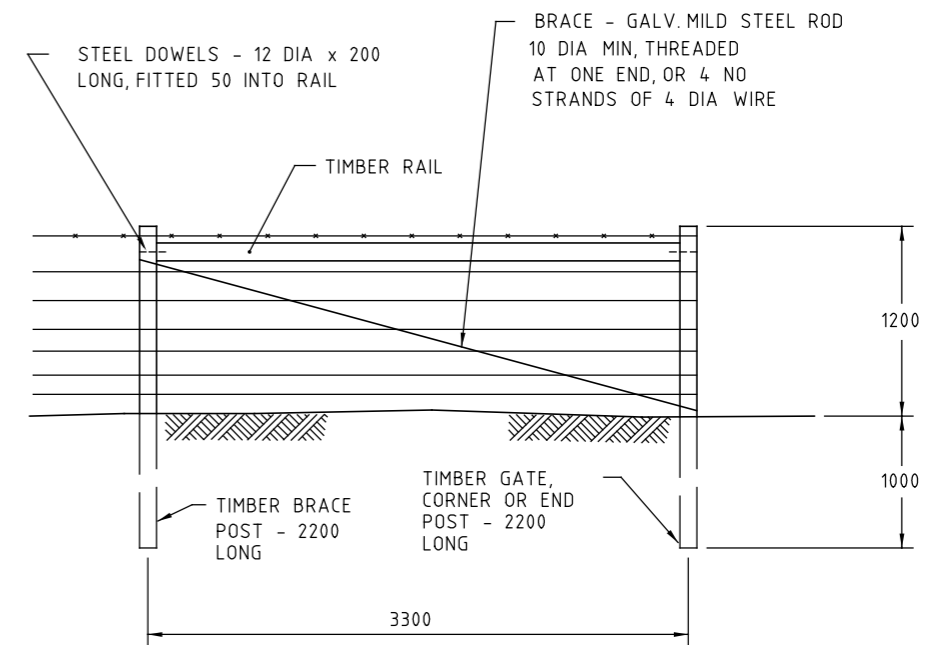


GENERAL ARRANGEMENT



SINGLE STRAINER ASSEMBLY  
FOR USE AT GATEWAYS, ENDS, ANGLES, ETC.

SCHEDULE OF MATERIALS

	INTERMEDIATE POSTS	GATE, CORNER OR END POSTS	BRACE POSTS	RAIL	DROPPERS
UNTREATED TIMBER - SPLIT HARDWOOD	175 x 100	150 x 150 OR 300 DIA	175 x 100	150 DIA	50 x 38
TREATED TIMBER - HARDWOOD OR PINE	100 DIA MIN	150 DIA MIN	125 DIA MIN	125 DIA MIN	42x35 PINE OR 40x19 HARDWOOD
CONCRETE	REFER SD 3161				
STEEL - POSTS - WIRE	REFER SPECIFICATION REFER NOTE 3				

NOTES:

- INTERMEDIATE STRAINER ASSEMBLIES SHALL HAVE TWO BRACE POSTS AND BOTH DIAGONALS BRACED, AND SHALL BE PROVIDED ON STRAIGHTS AT INTERVALS NOT EXCEEDING 200 METRES.
- ELECTRICAL INSULATION DETAILS FOR FENCES IN THE VICINITY OF TRANSMISSION LINES AND TOWERS REFER SD 3171.
- FENCE TYPES:
  - TYPE A1 - 1 No. 1.6 DIA HIGH TENSILE BARBED WIRE AT THE TOP AND 6 No. 2.5 DIA HIGH TENSILE PLAIN WIRE.
  - TYPE A2 - 2 No. 1.6 DIA HIGH TENSILE BARBED WIRE (THE TOP AND THIRD WIRE) AND 5 No. 2.5 DIA HIGH TENSILE PLAIN WIRE.
- POST AND WIRE FENCES TYPE A ARE USUALLY INSTALLED IN RURAL AREAS ALONG ROAD RESERVATION BOUNDARIES OR ADJACENT TO FARMS STOCKED WITH SHEEP AND CATTLE.

E				GENERAL NOTES / CROSS REFERENCES 1. FENCE - DOUBLE STRAINER ASSEMBLY SD 3151 2. ALL DIMENSIONS ARE IN MILLIMETRES. 3. THIS DRAWING IS PROVIDED AS A GUIDE FOR GOOD FENCING PRACTICE. PROPERTY OWNERS MAY AGREE TO THE ERECTION OF A STANDARD FENCE OF SIMILAR TYPE TO THE EXISTING FENCE AS AN ALTERNATIVE.	 PRINCIPAL ROAD DESIGN ENGINEER'S DEPARTMENT	STANDARD DRAWING FENCE (TYPE A) A1 AND A2 POST AND WIRE					
D						APPROVED <i>J. Cunningham</i> PRINCIPAL RD ENGINEER	DATE 1-7-95	SPEC. REF. No.	SHEET No.	DRAWING No.	AMENDMENT
C								707		SD 3101	A
B											
A	J.C.	1-7-95	GEN. NOTES 2 & 3, NOTES 3 AND 4, HIGH TENSILE WIRES ADOPTED. FENCE TYPES CHANGED.								
AMEND.	Appd.	Date	AMENDMENTS								