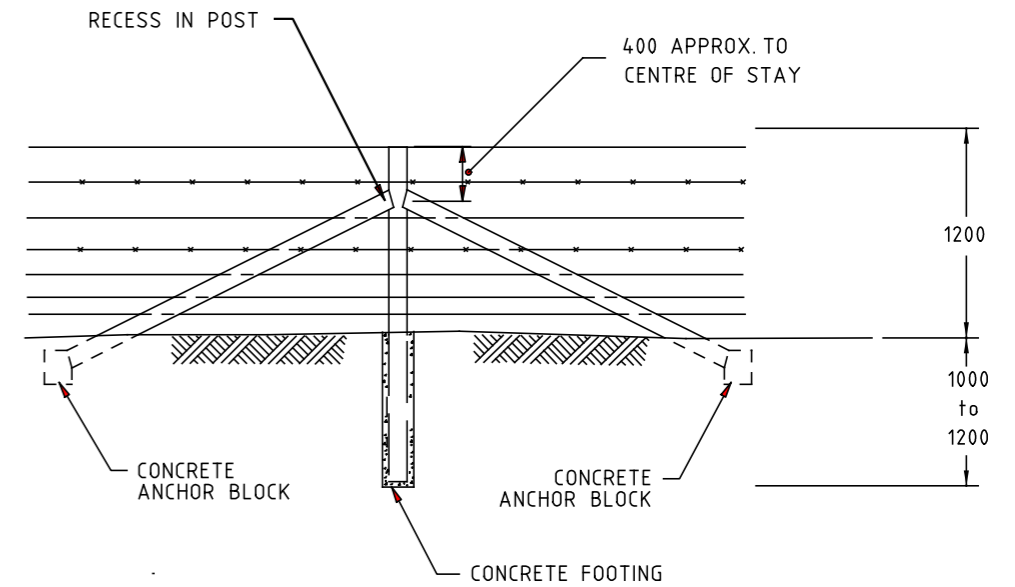
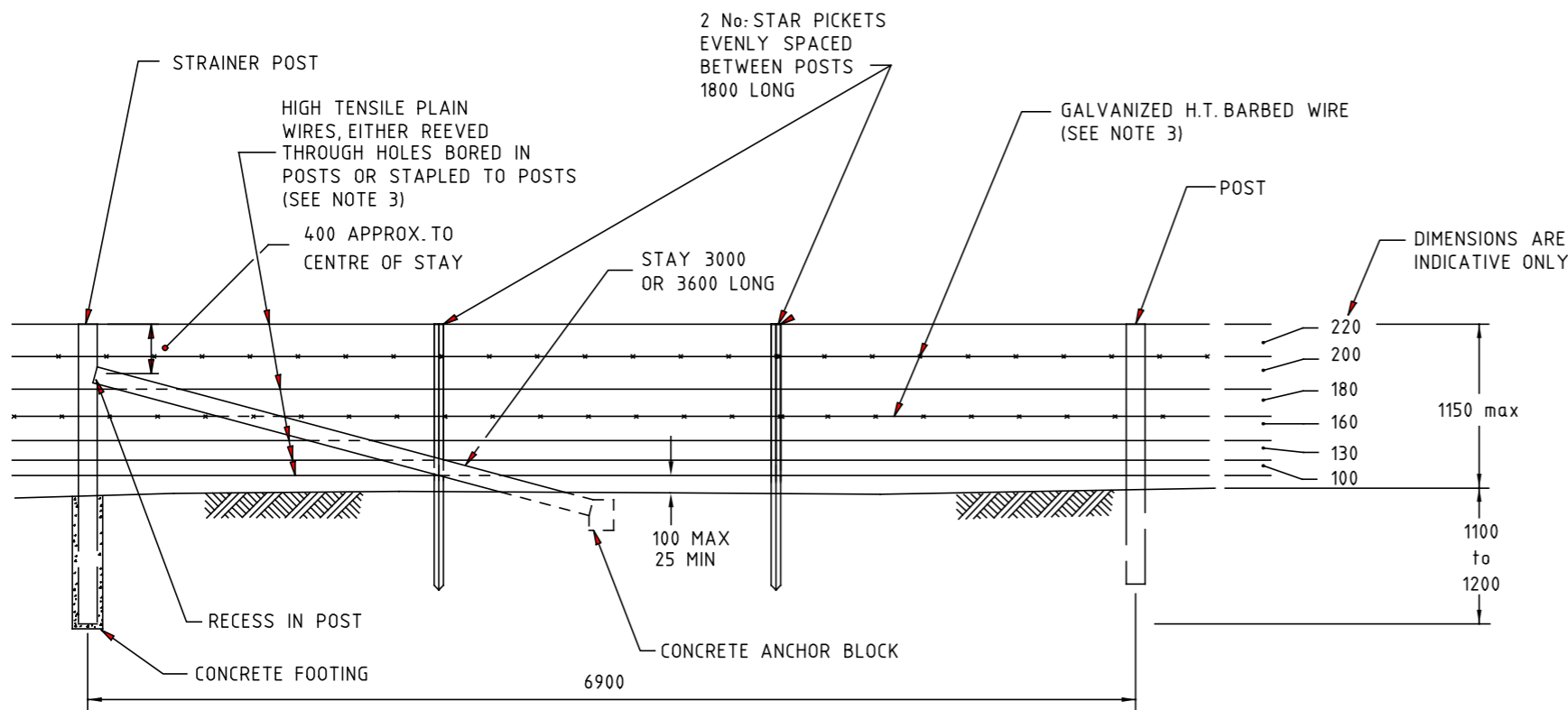


GENERAL ARRANGEMENT



DOUBLE STRAINER ASSEMBLY
(INTERNAL FENCE TO HAVE A STAY BACK INTO THE PROPERTY)



SINGLE STRAINER ASSEMBLY
(INTERNAL FENCE TO HAVE A STAY BACK INTO THE PROPERTY)

NOTES:

1. INTERMEDIATE STRAINER ASSEMBLIES SHALL HAVE TWO BRACE POSTS AND BOTH DIAGONALS BRACED, AND SHALL BE PROVIDED ON STRAIGHTS AT INTERVALS NOT EXCEEDING 200 METRES.
2. ELECTRICAL INSULATION DETAILS FOR FENCES IN THE VICINITY OF TRANSMISSION LINES AND TOWERS REFER SD 3171.
3. TYPE A - 2 No. 1.6 DIA HIGH TENSILE BARBED WIRE AT THE SECOND AND FORTH WIRES AND 5 No. 2.5 DIA HIGH TENSILE PLAIN WIRE (HIGH TENSILE PLAIN WIRE INSTEAD OF THE BARBED OPTIONAL)
4. POST AND WIRE FENCE TYPE A IS USUALLY INSTALLED IN RURAL AREAS ALONG ROAD RESERVATION BOUNDARIES OR ADJACENT TO FARMS STOCKED WITH CATTLE.
5. INSITU CONCRETE SHALL BE 20MPa STRENGTH GRADE COMPLYING WITH THE REQUIREMENTS OF AS 1379/1991
6. STAY AS PER MANUFACTURERS SPECIFICATION
7. POSTS AS PER SPECIFICATION

E			
D			
C			
B			
A			
ISSUE	APP'D	DATE	AMENDMENT

GENERAL NOTES

1. ALL DIMENSIONS ARE IN MILLIMETRES.
2. THIS DRAWING IS PROVIDED AS A GUIDE FOR GOOD FENCING PRACTICE. PROPERTY OWNERS MAY AGREE TO THE ERECTION OF A STANDARD FENCE OF SIMILAR TYPE TO THE EXISTING FENCE AS AN ALTERNATIVE.

DESIGNED PRINCIPAL ROAD
DESIGN ENGINEER

APPROVED
[Signature]
Date 1/8/02

CATALOG: PRED
PROJECT: sddgnnew



COMPUTER FILE
sd-3102.dgn

SCALE OF METRES
HOR NOT TO SCALE
VER

FILE NO.

STANDARD DRAWING
FENCE (TYPE A)
CATTLE FENCE POST AND WIRE

CONTRACT NO.

SHEET NO.

DRAWING NO.
SD 3102

ISSUE