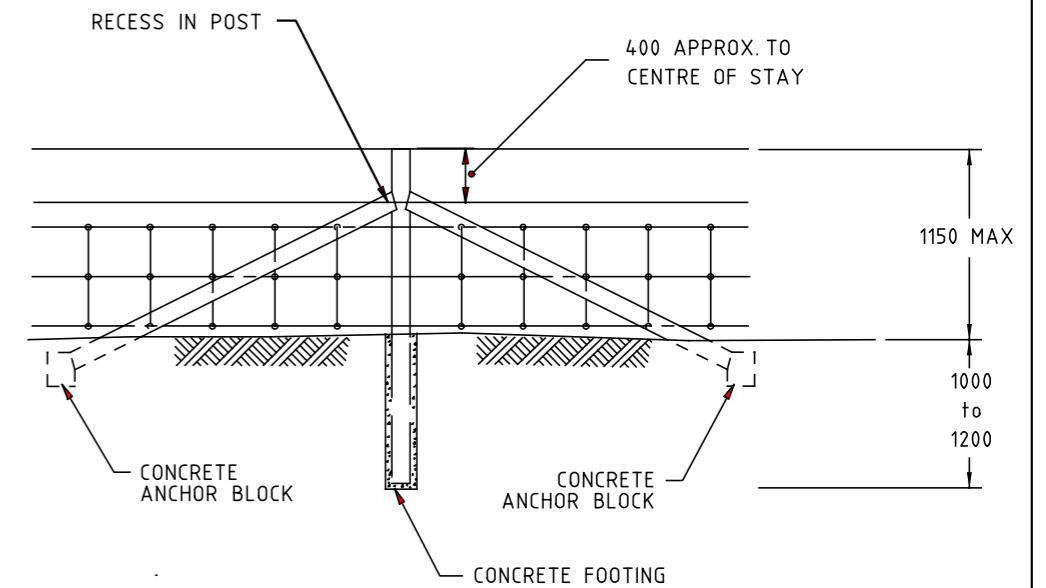
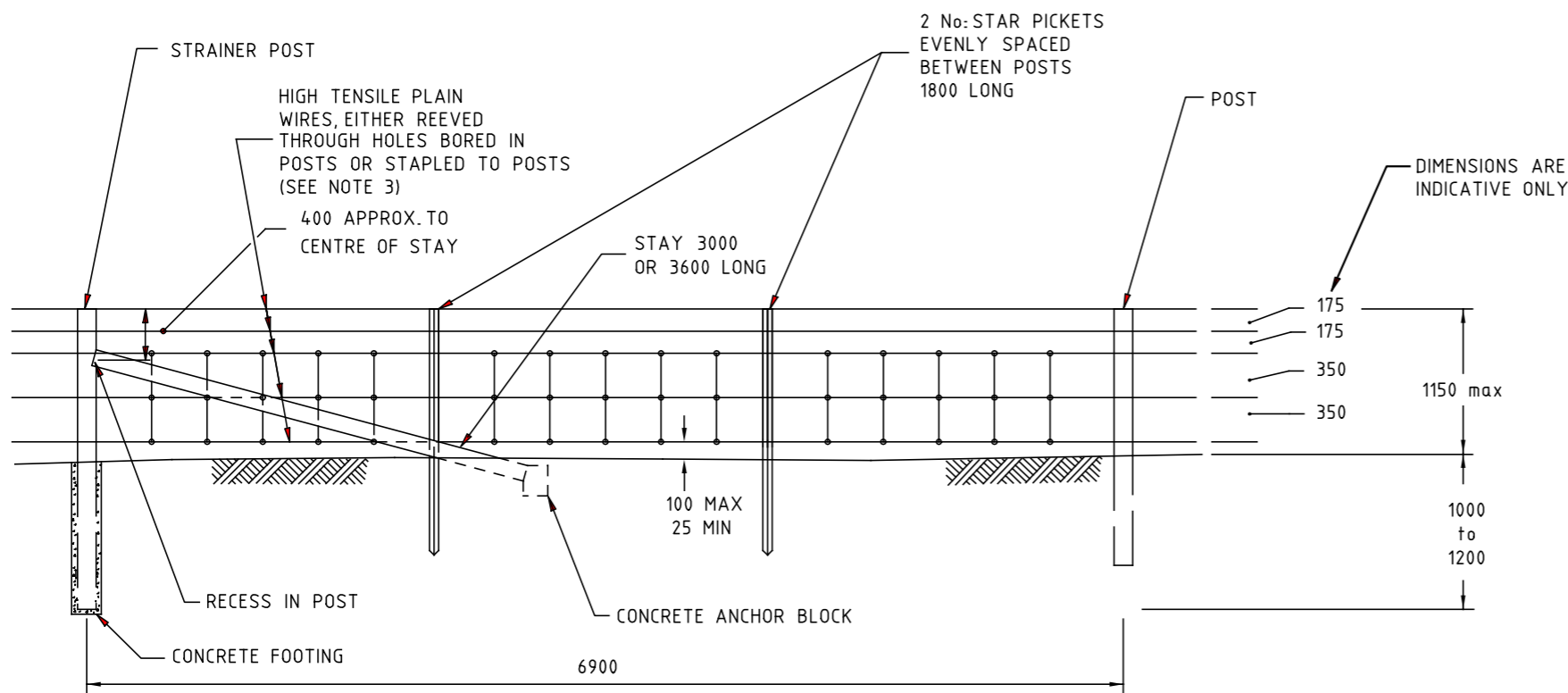


GENERAL ARRANGEMENT



DOUBLE STRAINER ASSEMBLY  
(INTERNAL FENCE TO HAVE A STAY BACK INTO THE PROPERTY)



SINGLE STRAINER ASSEMBLY  
(INTERNAL FENCE TO HAVE A STAY BACK INTO THE PROPERTY)

NOTES:

1. INTERMEDIATE STRAINER ASSEMBLIES SHALL HAVE TWO BRACE POSTS AND BOTH DIAGONALS BRACED, AND SHALL BE PROVIDED ON STRAIGHTS AT INTERVALS NOT EXCEEDING 200 METRES.
2. ELECTRICAL INSULATION DETAILS FOR FENCES IN THE VICINITY OF TRANSMISSION LINES AND TOWERS REFER SD 3171.
3. TYPE B - 5 No. 2.5 DIA HIGH TENSILE PLAIN WIRE WITH 6:70:30 RINGLOCK ATTACHED TO THE THIRD, FORTH AND FIFTH WIRES. (1 No. 1.6 DIA HIGH TENSILE BARBED WIRE AT THE SECOND WIRE AND 7:90:30 RINGLOCK OPTIONAL)
4. POST AND WIRE FENCE TYPE B IS USUALLY INSTALLED IN RURAL AREAS ALONG ROAD RESERVATION BOUNDARIES OR ADJACENT TO FARMS STOCKED WITH SHEEP.
5. INSITU CONCRETE SHALL BE 20MPa STRENGTH GRADE COMPLYING WITH THE REQUIREMENTS OF AS 1379/1991
6. STAY AS PER MANUFACTURERS SPECIFICATION
7. POSTS AS PER SPECIFICATION

E			
D			
C			
B			
A			
ISSUE	APP'D	DATE	AMENDMENT

GENERAL NOTES

1. ALL DIMENSIONS ARE IN MILLIMETRES.
2. THIS DRAWING IS PROVIDED AS A GUIDE FOR GOOD FENCING PRACTICE. PROPERTY OWNERS MAY AGREE TO THE ERECTION OF A STANDARD FENCE OF SIMILAR TYPE TO THE EXISTING FENCE AS AN ALTERNATIVE.

DESIGNED PRINCIPAL ROAD  
DESIGN ENGINEER

APPROVED  
*[Signature]*  
Date 1/8/02

CATALOG: PRED  
PROJECT: sddgnnew



COMPUTER FILE  
sd-3112.dgn

SCALE OF METRES  
HOR NOT TO SCALE  
VER

FILE NO.

STANDARD DRAWING  
FENCE (TYPE B)  
SHEEP FENCE POST AND WIRE

CONTRACT NO.

SHEET NO.

DRAWING NO.  
SD 3112

ISSUE