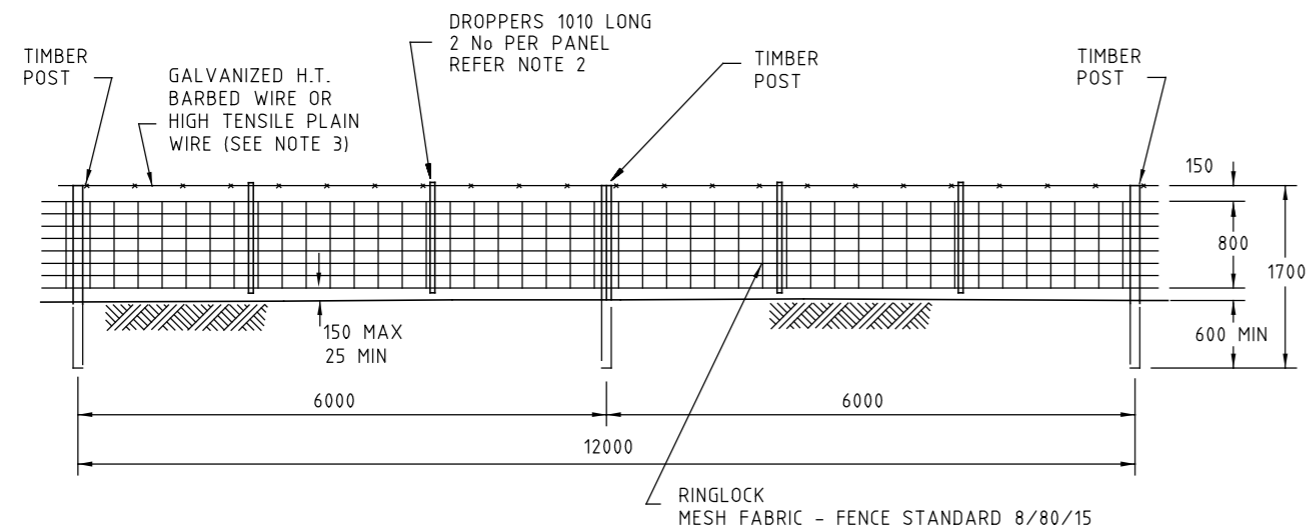
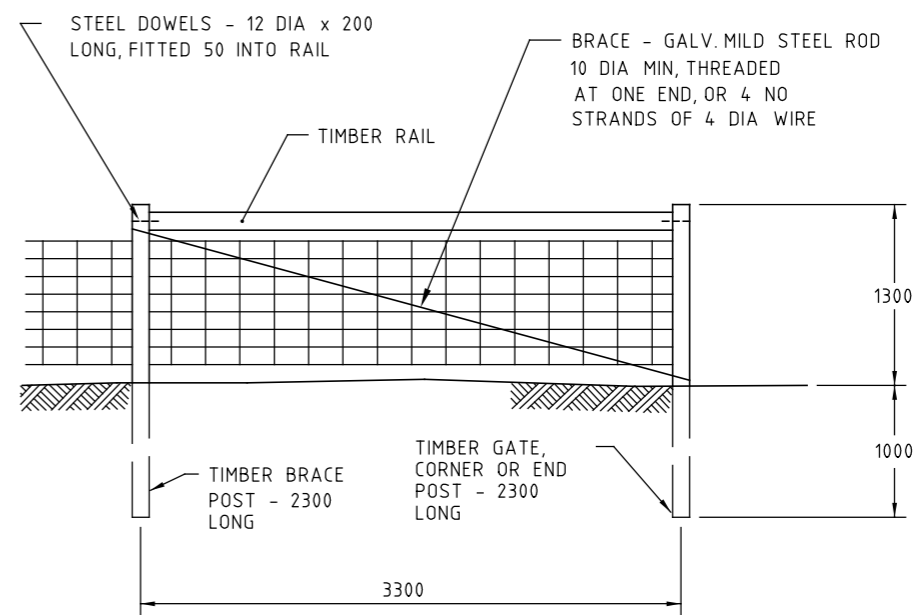


GENERAL ARRANGEMENT - TYPE H1A, H1B AND H1C



GENERAL ARRANGEMENT - TYPES H2A AND H2B

LEGEND: FENCE STANDARD - 8 / 80 / 15
 VERTICAL WIRE SPACING IN CM
 HEIGHT OF MESH IN CM
 NO OF HORIZONTAL WIRES



SINGLE STRAINER ASSEMBLY
 FOR USE AT GATEWAYS, ENDS, ANGLES, ETC.

NOTES:

- INTERMEDIATE STRAINER ASSEMBLIES SHALL HAVE TWO BRACE POSTS AND BOTH DIAGONALS BRACED, AND SHALL BE PROVIDED ON STRAIGHTS AT INTERVALS NOT EXCEEDING 200 METRES.
- ELECTRICAL INSULATION DETAILS FOR FENCES IN THE VICINITY OF TRANSMISSION LINES AND TOWERS REFER SD 3171.
- FENCE TYPES:
 TYPE H1A - 1 No. 1.6 DIA HIGH TENSILE BARBED WIRE AND 1 No. 2.5 DIA HIGH TENSILE PLAIN WIRE (AS SHOWN).
 TYPE H1B - 2 No. 1.6 DIA HIGH TENSILE BARBED WIRE.
 TYPE H1C - 2 No. 2.5 DIA HIGH TENSILE PLAIN WIRE.
 TYPE H2A - 1 No. 1.6 DIA HIGH TENSILE BARBED WIRE (AS SHOWN).
 TYPE H2B - 1 No. 2.5 DIA HIGH TENSILE PLAIN WIRE.
THREE ADDITIONAL 2.5 DIA HIGH TENSILE PLAIN WIRES SHALL BE PROVIDED AT THE TOP, MIDDLE AND BOTTOM OF THE WIRE MESH TO ENABLE THE MESH TO BE CLIPPED TO THESE WIRES.
- TIMBER OR APPROVED METAL DROPPERS SHALL BE SPACED EVENLY IN PANEL AND CLIPPED OR TIED TO MESH AS SPECIFIED.
- WIRE MESH FENCES ARE USUALLY USED FOR FENCING PROPERTIES CARRYING SHEEP, GOATS OR OTHER SMALLER ANIMALS.

SCHEDULE OF MATERIALS

	POSTS	GATE, CORNER OR END POSTS	BRACE POSTS	RAIL
UNTREATED TIMBER - SPLIT HARDWOOD	175 x 100	150 x 150 OR 300 DIA	175 x 125	150 DIA
TREATED TIMBER - HARDWOOD OR PINE	100 DIA MIN	150 DIA MIN	125 DIA MIN	125 DIA MIN
CONCRETE	REFER SD 3161			
STEEL - POSTS - WIRE	REFER SPECIFICATION REFER NOTE 3			

E			
D			
C			
B			
A	J.C.	1-7-95	GEN. NOTES 2 & 3, NOTES 2,3,4 & 5, FENCE TYPES CHANGED, STEEL POST REPLACED BY TIMBER POST. "RINGLOCK" ADDED.
AMEND.	Appd.	Date	AMENDMENTS

GENERAL NOTES / CROSS REFERENCES

- FENCE - DOUBLE STRAINER ASSEMBLY SD 3151
- ALL DIMENSIONS ARE IN MILLIMETRES.
- THIS DRAWING IS PROVIDED AS A GUIDE FOR GOOD FENCING PRACTICE. PROPERTY OWNERS MAY AGREE TO THE ERECTION OF A STANDARD FENCE OF SIMILAR TYPE TO THE EXISTING FENCE AS AN ALTERNATIVE.

vicroads
 PRINCIPAL ROAD DESIGN ENGINEER'S DEPARTMENT

STANDARD DRAWING
 FENCE (TYPE H)
 H1 AND H2
 WIRE MESH

APPROVED <i>J. Cunningham</i> PRINCIPAL RD ENGINEER	DATE 1-7-95	SPEC. REF. No. 707	SHEET No.	DRAWING No. SD 3121	AMENDMENT A
---	----------------	-----------------------	-----------	------------------------	----------------