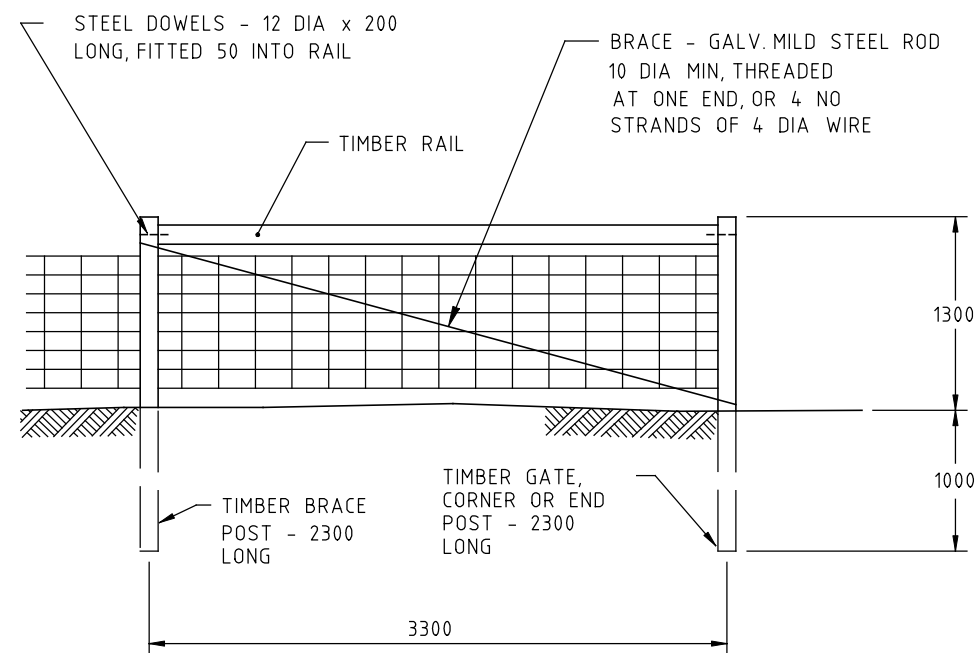


GENERAL ARRANGEMENT - TYPE ROW1



SINGLE STRAINER ASSEMBLY FOR USE AT GATEWAYS, ENDS, ANGLES, ETC.

LEGEND: FENCE STANDARD - 8 / 80 / 15
 8 - VERTICAL WIRE SPACING IN CM
 80 - HEIGHT OF MESH IN CM
 15 - NO OF HORIZONTAL WIRES

NOTES:

- INTERMEDIATE STRAINER ASSEMBLIES SHALL HAVE TWO BRACE POSTS AND BOTH DIAGONALS BRACED, AND SHALL BE PROVIDED ON STRAIGHTS AT INTERVALS NOT EXCEEDING 200 METRES.
- FENCE TYPES:
 TYPE ROW1 - 2 No. 1.6 DIA HIGH TENSILE BARBED WIRE.
 THREE ADDITIONAL 2.5 DIA HIGH TENSILE PLAIN WIRES SHALL BE PROVIDED AT THE TOP, MIDDLE AND BOTTOM OF THE WIRE MESH TO ENABLE THE MESH TO BE CLIPPED TO THESE WIRES.
- STAR PICKETS SHALL BE SPACED EVENLY IN PANEL AND CLIPPED OR TIED TO MESH AS SPECIFIED.
- WIRE MESH FENCES ARE USUALLY USED FOR FENCING PROPERTIES CARRYING SHEEP, GOATS OR OTHER SMALLER ANIMALS.

SCHEDULE OF MATERIALS

	POSTS	GATE, CORNER OR END POSTS	BRACE POSTS	RAIL
UNTREATED TIMBER - SPLIT HARDWOOD	175 x 100	150 x 150 OR 300 DIA	175 x 125	150 DIA
TREATED TIMBER - HARDWOOD OR PINE	100 DIA MIN	150 DIA MIN	125 DIA MIN	125 DIA MIN
CONCRETE	REFER SD 3161			
STEEL - POSTS - WIRE	REFER SPECIFICATION REFER NOTE 3			

E															
D															
C															
B															
A															
ISSUE	APP'D	DATE	AMENDMENT	GENERAL NOTES 1. FENCE DOUBLE STRAINER ASSEMBLY SD 3151. 2. ALL DIMENSIONS ARE IN MILLIMETRES. 3. THIS DRAWING IS PROVIDED AS A GUIDE FOR GOOD FENCING PRACTICE. PROPERTY OWNERS MAY AGREE TO THE ERECTION OF A STANDARD FENCE OR SIMILAR TYPE TO THE EXISTING FENCE AS AN ALTERNATIVE				DESIGNED PRINCIPAL ROAD DESIGN ENGINEER APPROVED 1/7/05 CATALOG: Road Design PROJECT: sddgnnew	 ENGINEERING & TECHNOLOGY CONSULTANTS	STANDARD DRAWING FENCE (TYPE H) ROW 1 WIRE MESH	FILE NO.	CONTRACT NO.	SHEET NO.	DRAWING NO. SD 3122	ISSUE