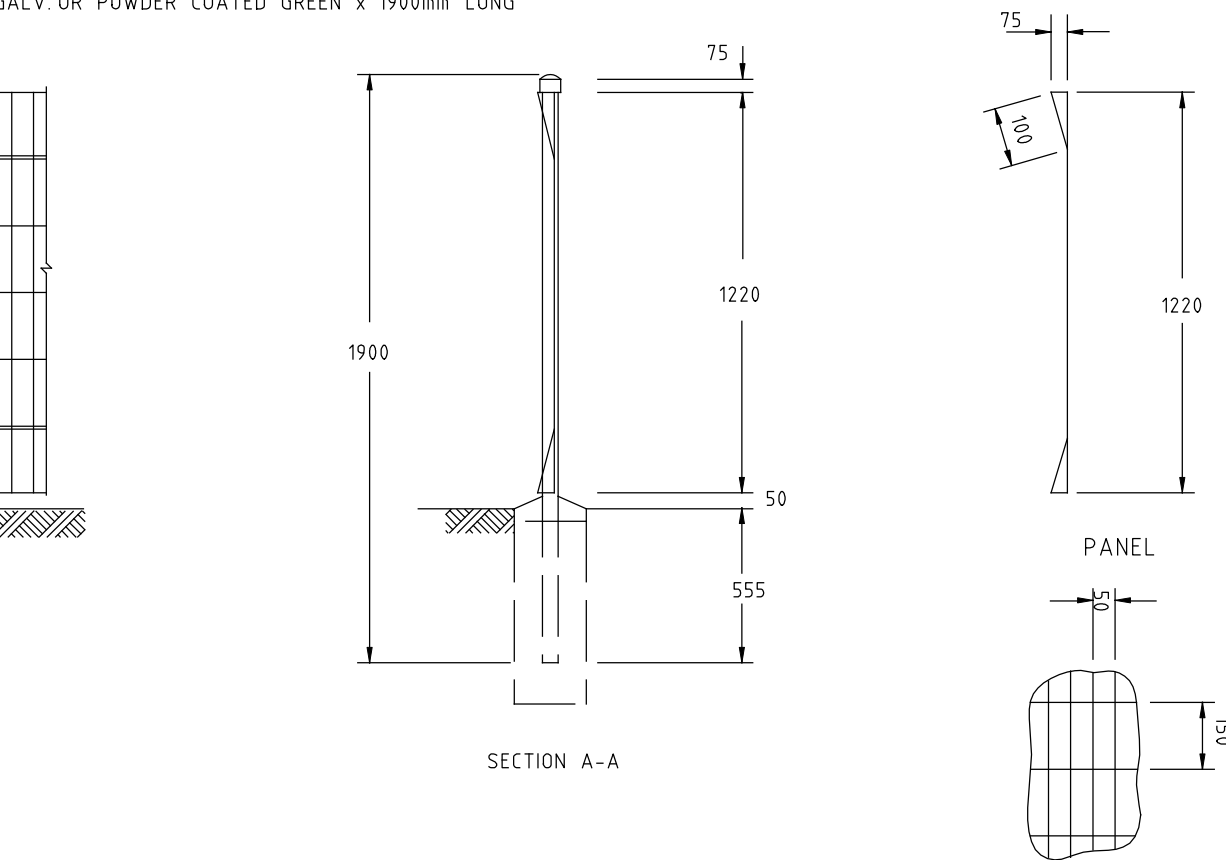
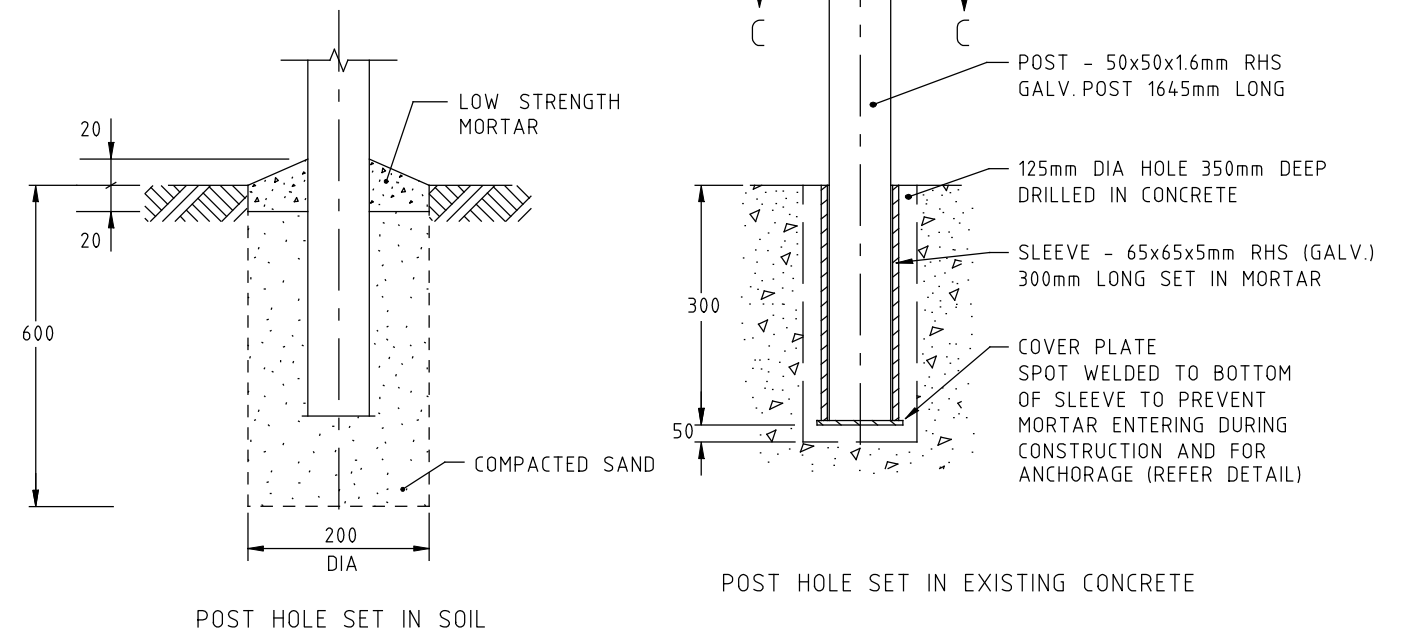
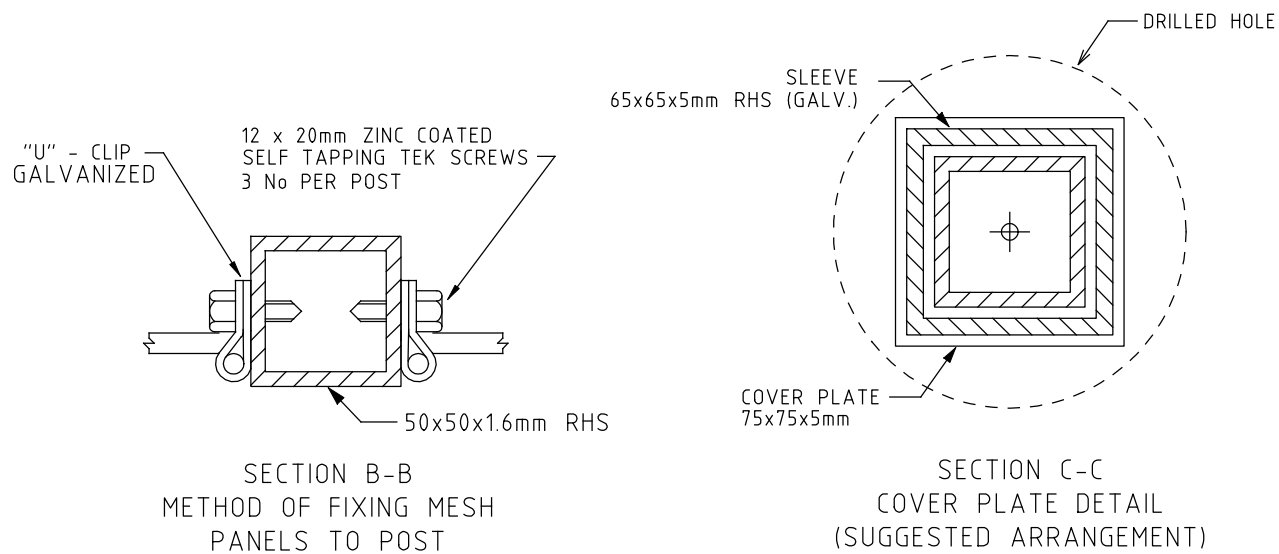


GENERAL ARRANGEMENT



SECTION A-A



E			
D			
C			
B			
A	JK	1/7/05	FENCE PANEL SIZE AMENDED
ISSUE	APP'D	DATE	AMENDMENT

GENERAL NOTES

1. THE FENCE UTILIZES "A.R.C." 1220 x 2400 JACARANDA PANELS.
2. ELECTRICAL INSULATION DETAILS FOR FENCES IN THE VICINITY OF TRANSMISSION LINES AND TOWERS REFER SD 3171.
3. ALL DIMENSIONS ARE IN MILLIMETRES.

DESIGNED
PRED

APPROVED 30-9-99
J. Cunningham

CATALOG: PRED
PROJECT: sddgnnew

vicroads design
ENGINEERING & TECHNOLOGY CONSULTANTS

COMPUTER FILE
sd-3143a.dgn

SCALE OF METRES
HOR NTS
VER

STANDARD DRAWING				
FENCE				
WELDED MESH				
FILE NO.	CONTRACT NO.	SHEET NO.	DRAWING NO.	ISSUE
			SD 3143	A