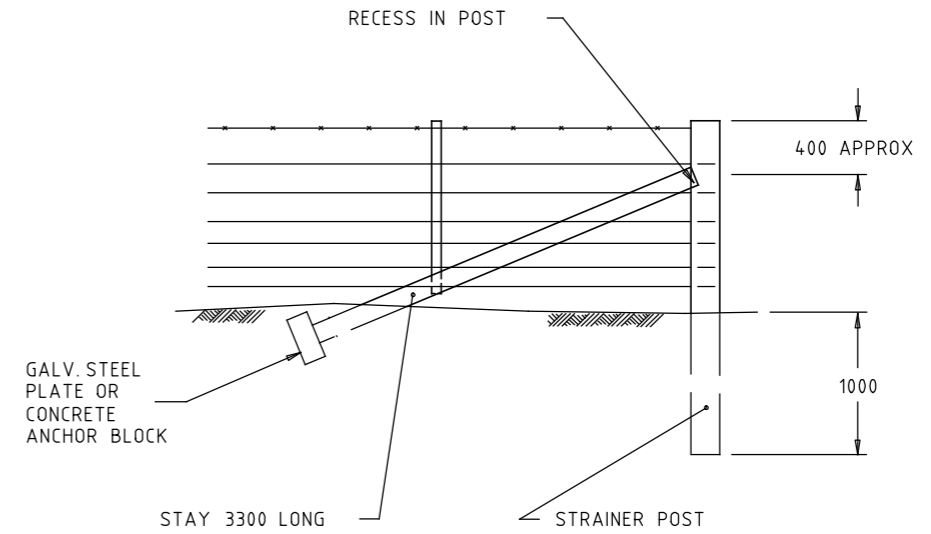


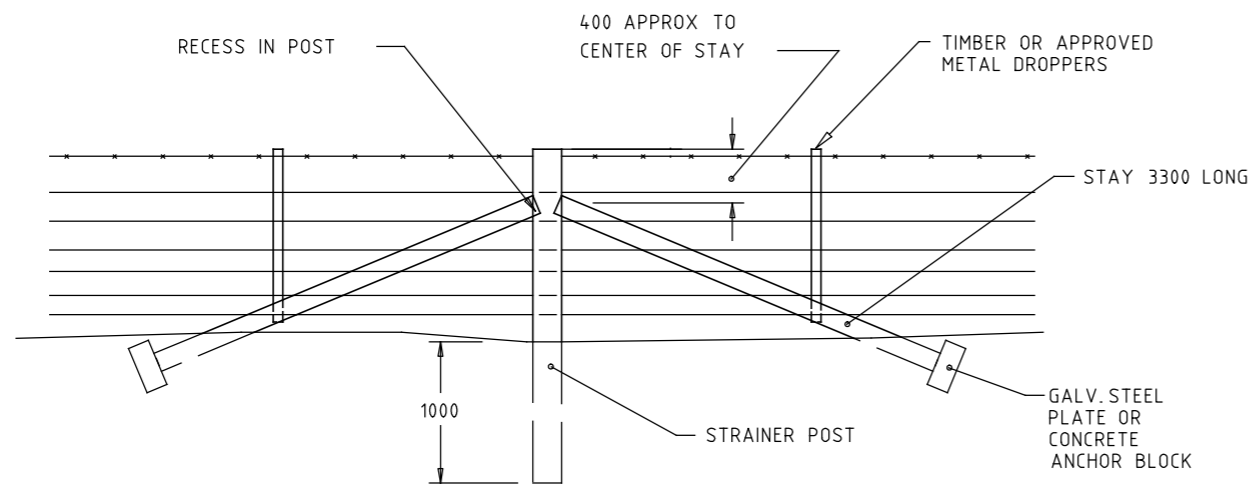
GALV. STEEL
PLATE OR
CONCRETE
ANCHOR BLOCK

CORNER STAY



SINGLE STRAINER ASSEMBLY

FOR USE AT GATEWAYS, ENDS, ANGLES, ETC.



INTERMEDIATE STRAINER ASSEMBLY

SHALL BE PROVIDED ON STRAIGHTS AT INTERVALS NOT
EXCEEDING 300 METRES

NOTES:

1. POSTS & STAYS MAY BE GALVANIZED STEEL, HARDWOOD, TREATED PINE, REINFORCED OR PRESTRESSED CONCRETE.
2. GALV. STEEL STAYS MAY BE BOLTED TO GALV. STEEL POSTS.
3. FOR POST LENGTHS AND DROPPER SIZES REFER TO RELEVANT FENCE TYPE.
4. MAIN WIRES SHALL BE TIED WITH 2.5mm DIA GALV. WIRE OR STAPLED TO POSTS.
5. INSITU CONCRETE SHALL BE 20 MPa STRENGTH GRADE COMPLYING WITH THE REQUIREMENTS OF AS 1379/1991.

E			
D			
C			
B			
A	J.C.	1.7.95	GENERAL NOTE 2, NOTE 5, CORNER STAY REALIGNED
AMEND.	Appd.	Date	AMENDMENTS

GENERAL NOTES / CROSS REFERENCES

1. FENCES SD 3101, SD 3111 SD 3112, SD 3131
2. ALL DIMENSIONS ARE IN MILLIMETRES

vicroads

PRINCIPAL
ROAD DESIGN ENGINEER'S
DEPARTMENT

STANDARD DRAWING			
FENCE			
POSTS AND STAYS			
APPROVED <i>J. Cunningham</i> PRINCIPAL RD ENGINEER	DATE 1.7.95	SPEC. REF. No. 707	SHEET No. DRAWING No. SD 3161
			AMENDMENT A