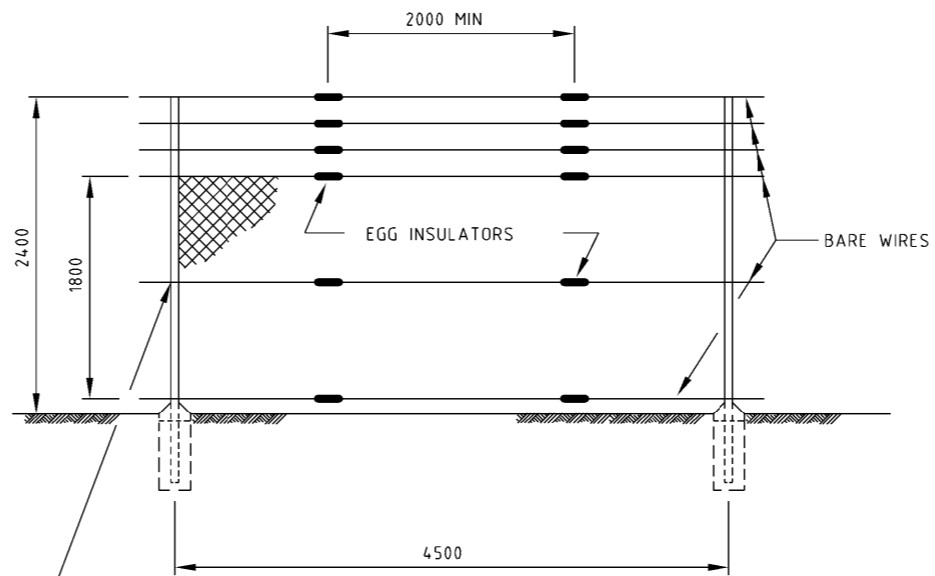
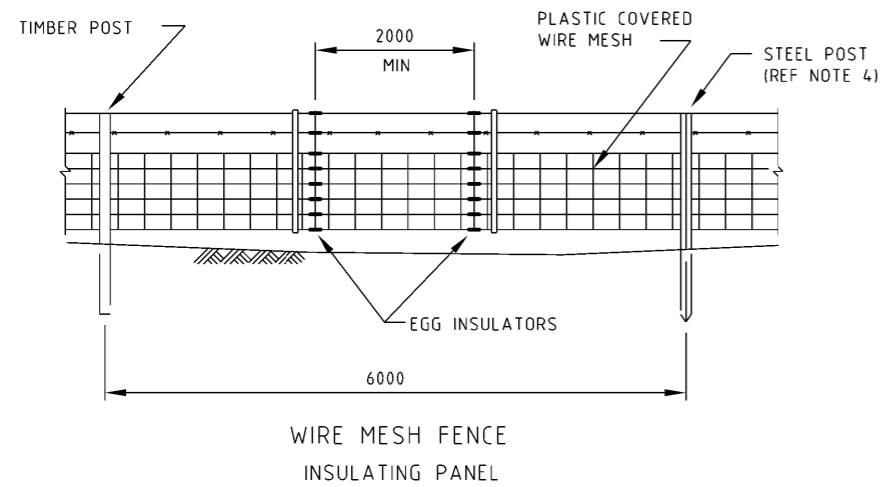
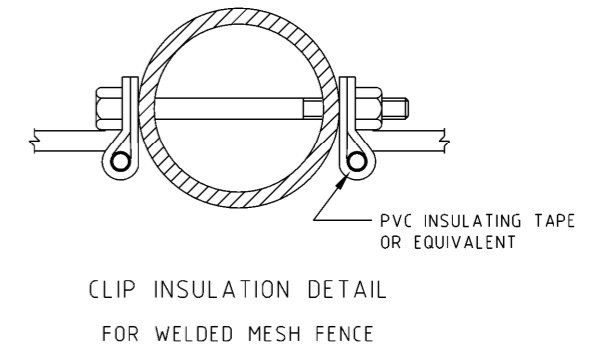
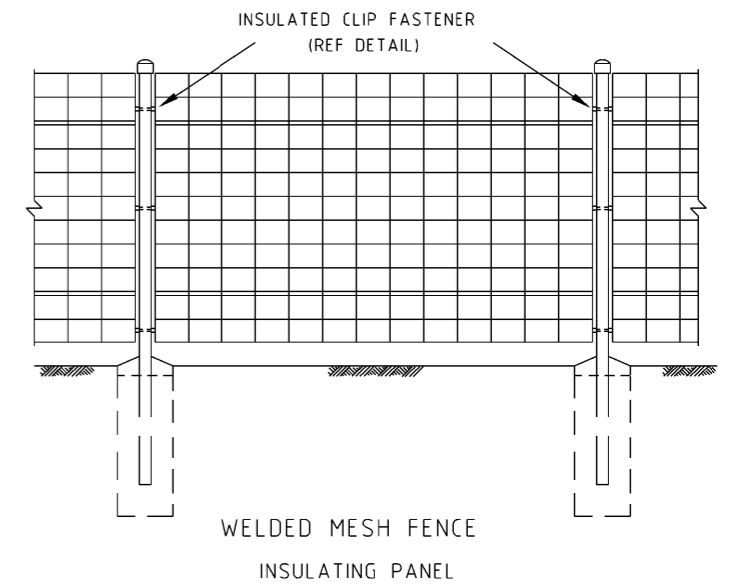
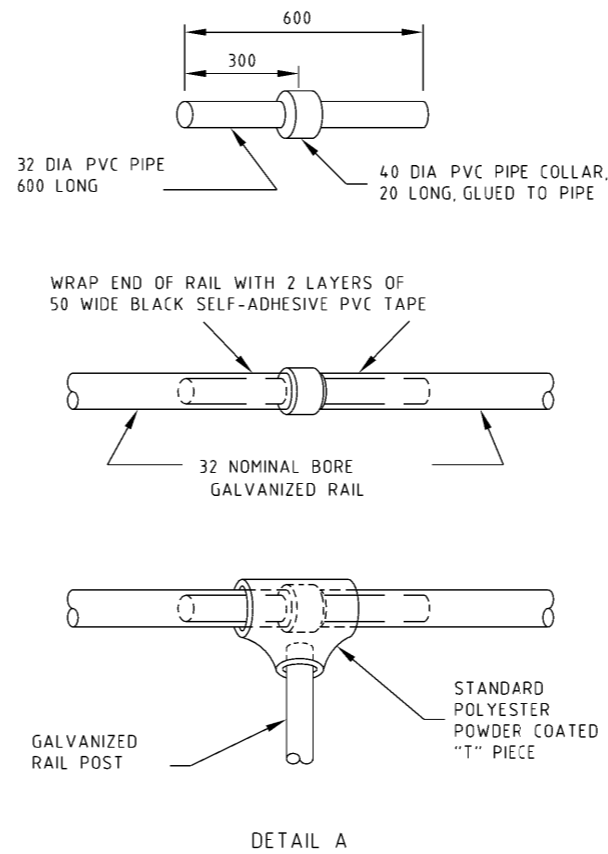
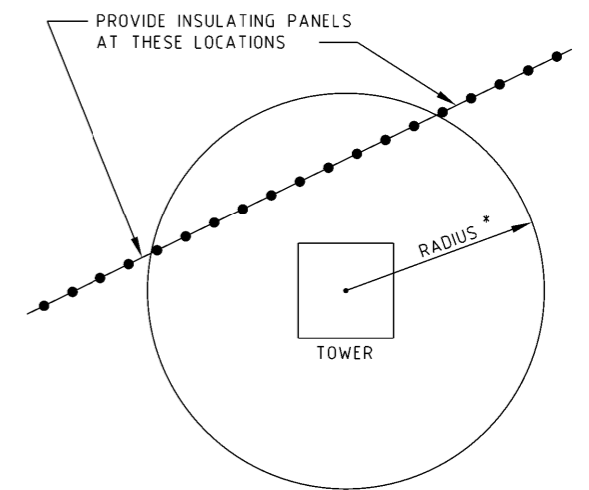


CHAIN WIRE MESH & RAIL FENCE
INSULATING PANEL



BARBED AND TENSION WIRES ARE TIED TO STEEL POSTS WITH BARE GALVANIZED WIRE. PAINT SHALL BE REMOVED FROM STEEL POSTS FOR 50mm ABOVE AND BELOW ATTACHMENT POINT TO ENSURE EFFECTIVE ELECTRICAL CONTACT. BRACES MUST NOT BE INSTALLED IN INSULATING PANELS.

CHAIN WIRE MESH FENCE
INSULATING PANEL



* R40m FOR 500KV TRANSMISSION LINE
R20m FOR 220KV TRANSMISSION LINE

FIG 1

NOTES:

- ADVICE SHOULD BE SOUGHT FROM THE RESPONSIBLE ELECTRICITY AUTHORITY FOR ALL LONG OR HIGH FENCES WITHIN 50m OF TRANSMISSION LINES.
- INSULATION PANELS ARE REQUIRED IN THE VICINITY OF TRANSMISSION LINE TOWERS (REF FIG 1).
- PLASTIC OR PLASTIC POWDER COVERED FENCES REQUIRE BOTH INSULATING PANELS AND STEEL POSTS FOR EARTHING. BARE WIRE FENCES ONLY REQUIRE EARTHING. REFER TO THE RESPONSIBLE ELECTRICITY AUTHORITY FOR POST SPACING AND FOOTING DEPTH DETAILS.
- SPACING OF STEEL POSTS SHALL NOT EXCEED 12 METRES.

GENERAL NOTES / CROSS REFERENCES

- | | |
|--------------------------------------------------------------|---------|
| 1. FENCE (TYPE H) - WIRE MESH | SD 3121 |
| 2. FENCE (TYPE R) - WELDED MESH | SD 3141 |
| 3. FENCE (TYPE A) - POST & WIRE | SD 3101 |
| 4. FENCE (TYPE B) - POST & WIRE | SD 3111 |
| 5. FENCE (TYPE K) - CHAIN WIRE MESH | SD 3131 |
| 6. ALL DIMENSIONS ARE IN MILLIMETRES UNLESS SHOWN OTHERWISE. | |



PRINCIPAL
ROAD DESIGN ENGINEER'S
DEPARTMENT

STANDARD DRAWING

ELECTRICAL INSULATION OF FENCES

INSULATION DETAILS

APPROVED	DATE	SPEC. REF. No.	SHEET No.	DRAWING No.	AMENDMENT
<i>J. Cunningham</i>	1.7.95	707		SD 3171	A
PRINCIPAL RD ENGINEER					