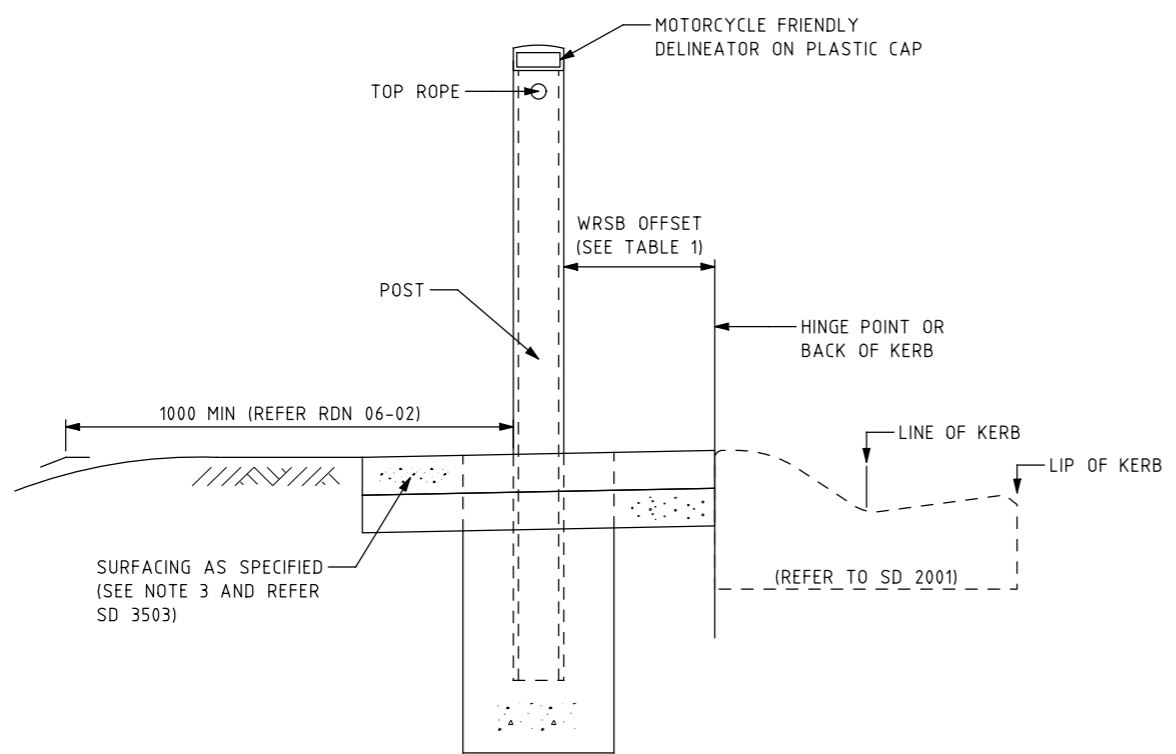


GUARD FENCE LOCATION



WIRE ROPE SAFETY BARRIER LOCATION

TABLE 1: BARRIER OFFSET GUIDELINES

OFFSET TO:	GUARD FENCE OFFSET	WIRE ROPE SAFETY BARRIER OFFSET
BARRIER KERB	>80km/h: NOT RECOMMENDED 70 TO 80km/h: DESIRABLE: 4.0m OR GREATER MINIMUM: ABOVE LINE OF KERB <70km/h: DESIRABLE: 2.5m OR GREATER MINIMUM: ABOVE LINE OF KERB	>90km/h: DESIRABLE: 4.0m OR GREATER MINIMUM: 0m OR 1.2 TO 1.8m 70 TO 80km/h: DESIRABLE: 4.0m OR GREATER MINIMUM: 0m OR 1.2 TO 1.8m
SEMI-MOUNTABLE KERB	>80km/h: DESIRABLE: 4.0m OR GREATER MINIMUM: 0 - 1.0m 70 TO 80km/h: DESIRABLE: 3.0m OR GREATER MINIMUM: 0 - 1.0m <70km/h: DESIRABLE: 2.5m OR GREATER MINIMUM: 0 - 1.0m	<70km/h: DESIRABLE: 2.5m OR GREATER MINIMUM: 0m OR 1.0 TO 2.0m
MOUNTABLE KERB	NO RESTRICTION - NOTE THE REQUIRED APPROVAL PROCESS FOR OFFSETS LESS THAN 3.0m. (SEE NOTE 4)	
TRAFFIC LANE	DESIRABLE: ≥4m MINIMUM: ≥3m ABSOLUTE MINIMUM: ≥0.6m (WITH REQUIRED APPROVAL, SEE NOTE 4)	DESIRABLE: ≥4m MINIMUM: ≥3m ABSOLUTE MINIMUM: ≥1m (WITH REQUIRED APPROVAL, SEE NOTE 4)
HINGE POINT OF BATTER	10:1 OR FLATTER: NO RESTRICTION 6:1 TO 10:1: DESIRABLE: PROVIDE A 10:1 SLOPE AT LEAST 2m WIDE IN FRONT OF BARRIER MINIMUM: 0 - 0.5m OR ≥3.6m STEEPER THAN 6:1: NOT RECOMMENDED	

NOTES:

1. IN LOW SPEED AREAS, SUCH AS CAR PARKS WHERE VAULTING IS NOT A PROBLEM, THERE ARE NO RESTRICTIONS ON THE LOCATION OF KERBS AND GUARD FENCE. IN THESE LOW SPEED AREAS, B TYPE KERBS CAN BE LOCATED 300 TO 500mm FROM THE FACE OF THE W-BEAM TO MINIMIZE THE LIKELIHOOD OF PANEL DAMAGE WITH LOW SPEED IMPACTS.
2. ALL KERB OFFSETS ARE MEASURED TO THE BACK OF KERB UNLESS OTHERWISE NOTED.
3. WHEN CONCRETE SURFACING IS PROVIDED, FULL DEPTH SHOULDER IS TO BE SEALED FOR THE FULL WIDTH OF THE SHOULDER UNLESS OTHERWISE SPECIFIED.
4. BARRIER OFFSETS LESS THAN 3.0m FROM THE TRAFFIC LANE SHALL ONLY BE ADOPTED AFTER THE RELEVANT VICROADS APPROVALS HAVE BEEN OBTAINED IN ACCORDANCE WITH THE VICROADS SUPPLEMENT PART 6, SECTION 6.3 AND APPENDIX VA.
5. WHERE THE FACE OF BARRIER IS ERECTED WITHIN 1m OF THE BACK OF KERB, THE MOUNTING HEIGHT SHALL BE MEASURED FROM THE LIP OF KERB. WHERE THE BARRIER IS ERECTED WITHIN 1.5m FROM THE EDGE OF CARRIAGEWAY WITHOUT KERB, THE MOUNTING HEIGHT SHALL ALSO BE MEASURED FROM THE EDGE OF CARRIAGEWAY (TYPICALLY THE EDGE LINE). FOR DISTANCES BEYOND 1.5m, THE MOUNTING HEIGHT SHALL BE MEASURED FROM THE NOMINAL GROUND SURFACE AT THE BARRIER LOCATION.

VicRoads Drawing No. 720275

REFERENCES AND NOTES:
 1. DIMENSIONS ARE IN MILLIMETRES UNLESS SHOWN OTHERWISE.
 2. BARRIERS SHALL BE SAFETY VICROADS ACCEPTED PRODUCTS IN ACCORDANCE WITH RDN 06-04.

SD 3500 TERMINOLOGY, SHORTHAND AND GENERAL REQUIREMENTS
 SD 3501 GUARD FENCE LOCATION PROCEDURE
 SD 3503 MAINTENANCE STRIPS
 SD 3661, SD 3671 GUARD FENCE (TYPE B AND D)
 SD 2001 KERBS
 SD 4311 WRSB LOCATION PROCEDURE
 AGRD PART 6, ROADSIDE DESIGN, SAFETY AND BARRIERS
 RDN 06-04 ACCEPTED SAFETY BARRIER PRODUCTS

TECHNICAL SERVICES
 3 PROSPECT HILL ROAD
 CAMBERWELL
 VICTORIA 3124
 PHONE (03) 9811 8355
 FAX (03) 9811 8329



ROAD SAFETY BARRIERS
GUARD FENCE AND WIRE ROPE SAFETY BARRIER
OFFSET GUIDELINES

NOT TO SCALE
 APPROVED R.GORDON
 24.2.94
 SD NO. SD 3502
 ISSUE C