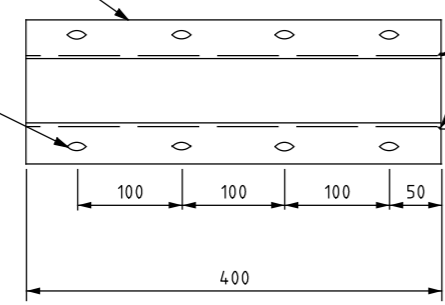


ISSUE	APP'D	DATE	AMENDMENT
B	DC	01/16	AMENDED SOIL PLATE BOLT HOLE LOCATION

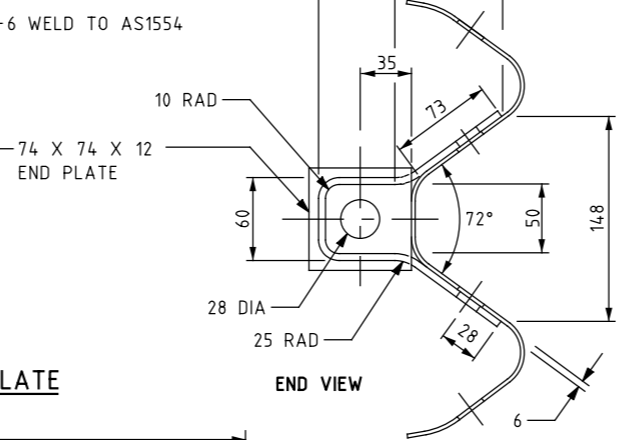
400 X 300 X 6 MILD STEEL PLATE
GRADE 250 MINIMUM

18 DIA HOLES
(DRILL BEFORE BENDING)

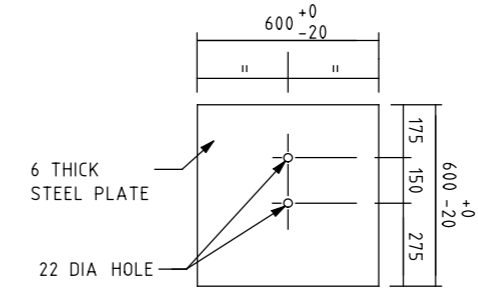


SIDE VIEW

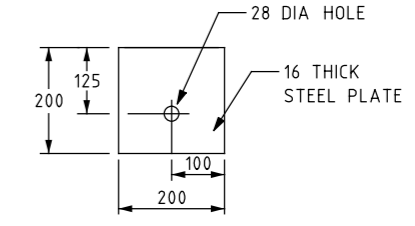
ANCHOR PLATE



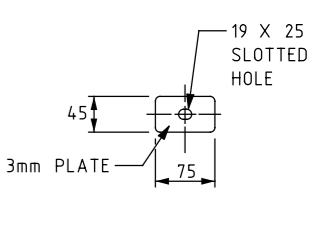
END VIEW



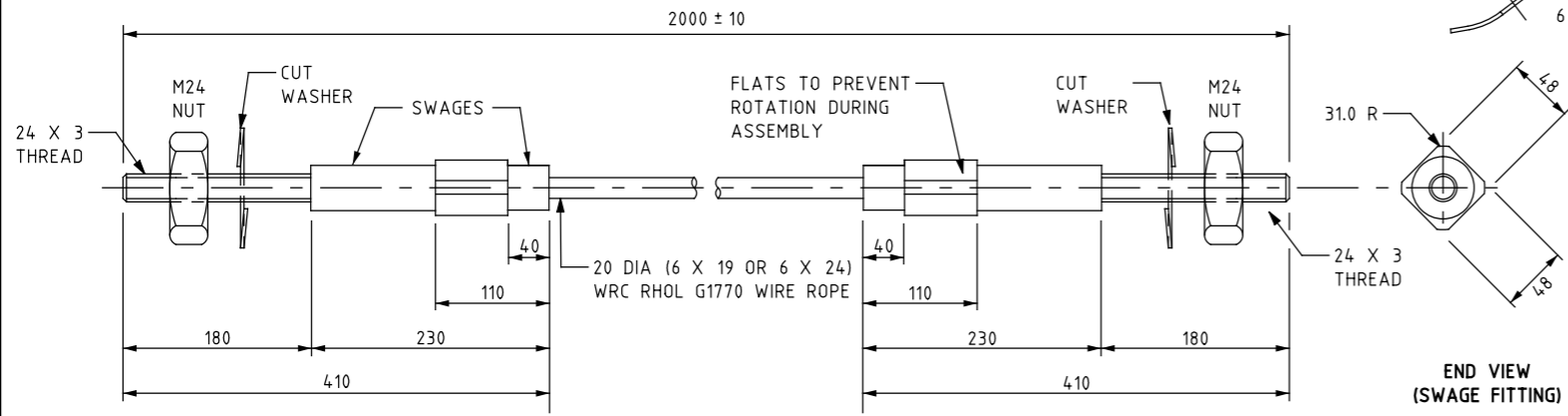
SOIL PLATE



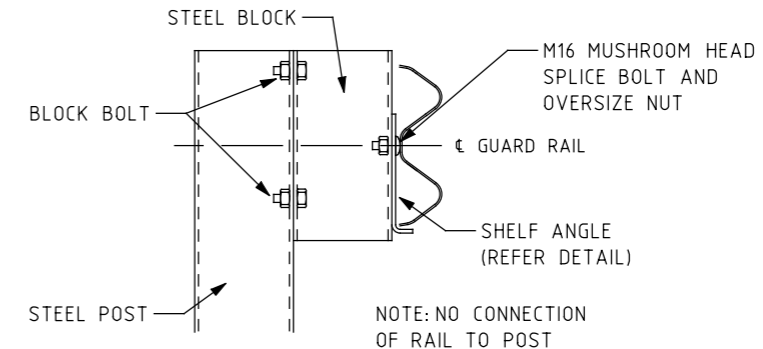
BEARING PLATE
(FOR ANCHOR TO END POST)



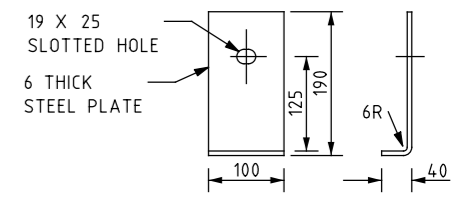
SPECIAL WASHER
(FOR END POST BOLT)



ANCHOR CABLE ASSEMBLY

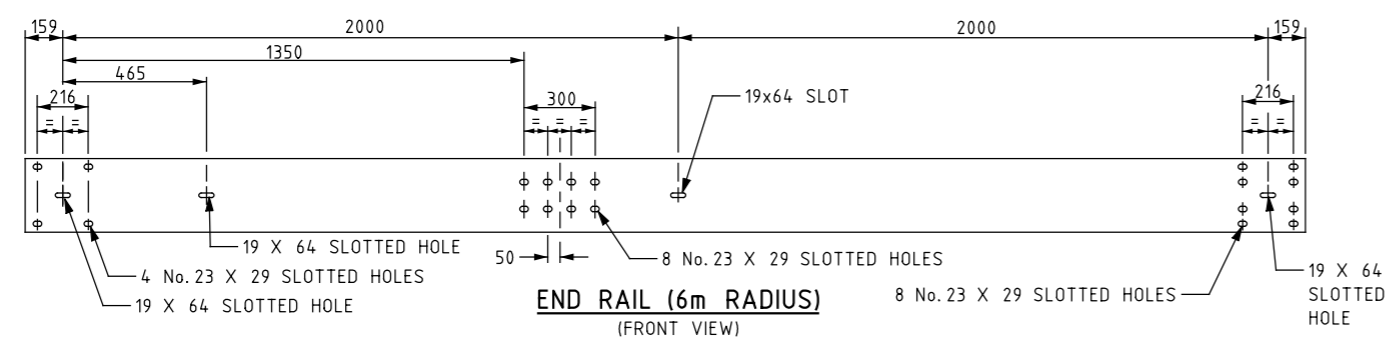


POST 2 - SHELF ANGLE
REFER SD3544

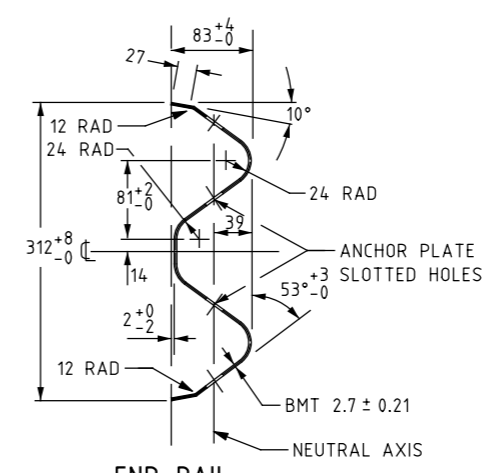


SHELF ANGLE

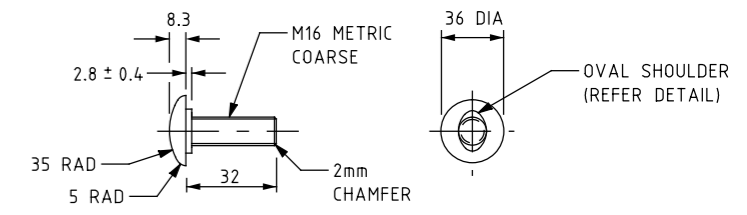
NOTE: 1. COMPLETE ASSEMBLY SHALL BE ABLE TO DEVELOP BREAKING STRENGTH OF 200kN
2. ANCHOR CABLE ASSEMBLY ARRANGEMENT AS PER AS 3845 CAN BE INSTALLED AS AN ACCEPTED ALTERNATIVE ARRANGEMENT AND ONLY IN CONJUNCTION WITH AS 3845 ANCHOR PLATE



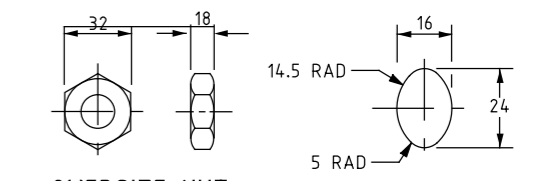
END RAIL (6m RADIUS)
(FRONT VIEW)



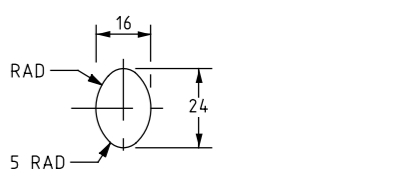
END RAIL
(SECTION SHOWING SLOTTED HOLE LOCATIONS)



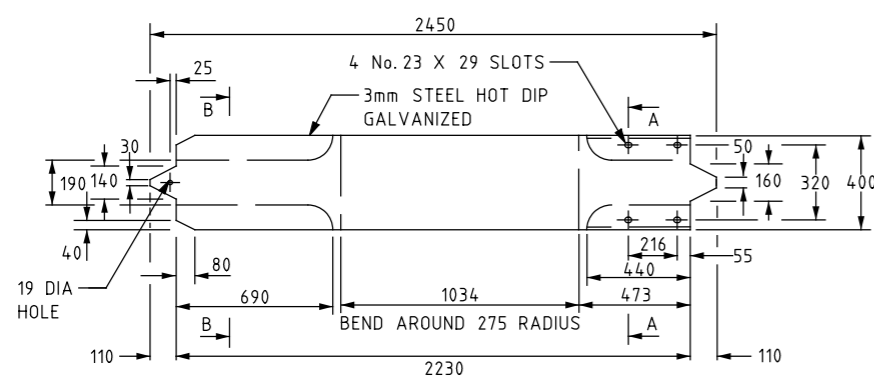
SPLICE BOLT



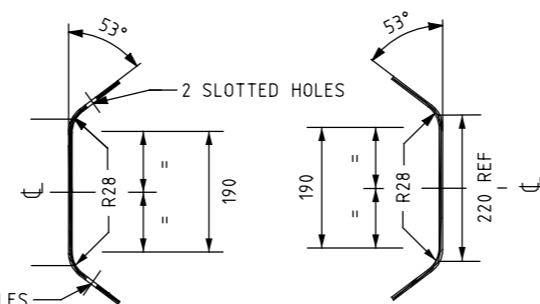
OVERSIZE NUT
FOR SPLICE BOLT



OVAL SHOULDER
(REFER DETAIL)

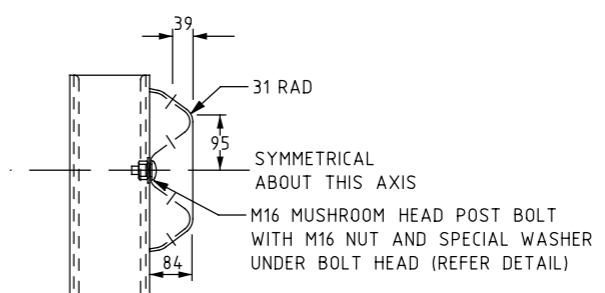


TRAILING TERMINAL BULB
(PRIOR TO BENDING)

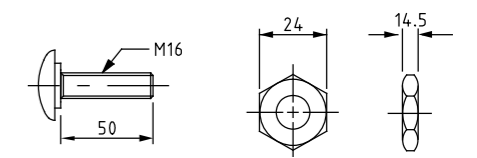


SECTION A-A

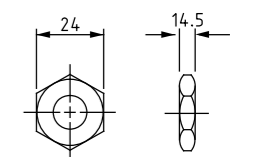
SECTION B-B



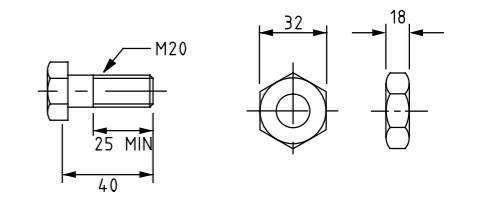
END POST
REFER SD3544



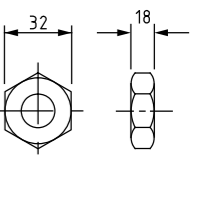
POST BOLT



M16 NUT



M20 HEX HEAD BOLT



M20 NUT

VICROADS REF No 720265

- REFERENCES AND NOTES:
- ALL DIMENSIONS ARE IN MILLIMETRES UNLESS SHOWN OTHERWISE
 - THE AGREEMENT OF THE PRINCIPAL ROAD DESIGN ENGINEER SHOULD BE SOUGHT BEFORE ANY MODIFICATIONS ARE MADE TO THE DESIGN
 - BOLTS TO BE SNUG TIGHTENED TO AS 4100
 - WASHERS ARE NOT TO BE PROVIDED AT POST BOLTS (EXCLUDING END POST REFER DETAIL)
 - END POST SHALL BE FORMED FROM BMT 4.3 STEEL GRADE HA300 IN ACCORDANCE WITH AS 1594
 - SOIL PLATE, SHELF ANGLE & BEARING PLATE SHALL BE FABRICATED FROM STEEL GRADE 250 IN ACCORDANCE WITH AS 1594

- BOLTS AND NUTS SHALL BE OF THE FOLLOWING CLASSES:
POST BOLT & M20 BOLT CLASS 4.6
M16 & M20 NUT CLASS 5
SPLICE BOLT & OVERSIZE M16 NUT CLASS 8.8
- SD 3544 TRAILING TERMINAL GENERAL ARRANGEMENT
SD 3661 GUARD FENCE (TYPE B) STEEL POST
VR STANDARD SPECIFICATION 708 STEEL BEAM GUARD FENCE

TECHNICAL SERVICES
MANAGER ROAD STANDARDS & TRAFFIC
60 DENMARK STREET KEW VICTORIA 3101
PHONE (03) 9854 2666



GUARD FENCE & BARRIERS SD 3562			
TRAILING TERMINAL COMPONENT DETAILS			
NOT TO SCALE	APPROVED DANIEL CASSAR (PRDE) 18-2-13	SD NO. SD 3562	ISSUE B