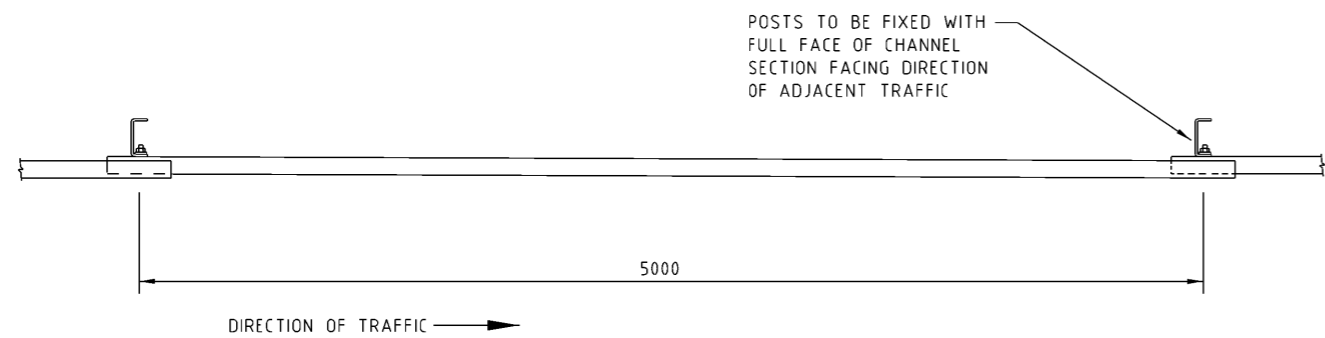
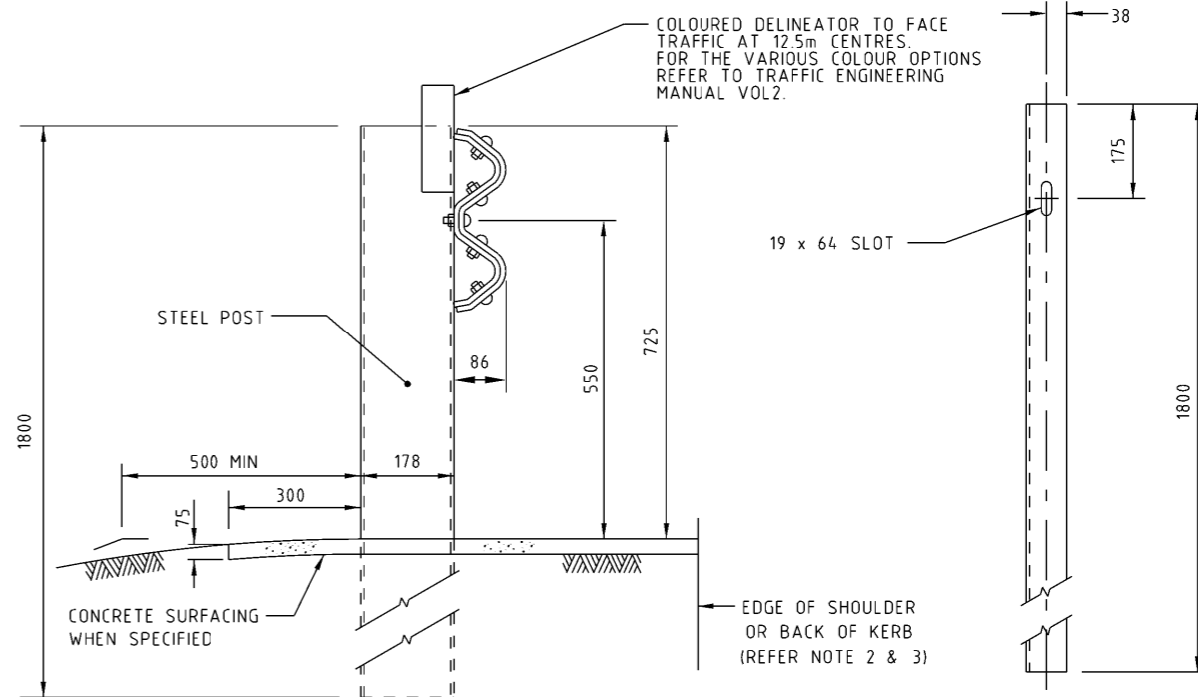


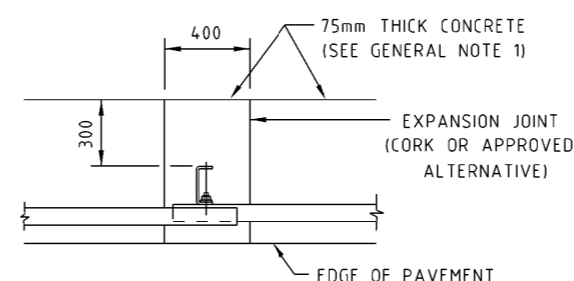
ELEVATION



PLAN

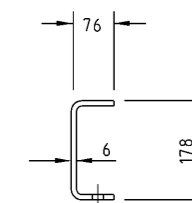


SECTION A-A

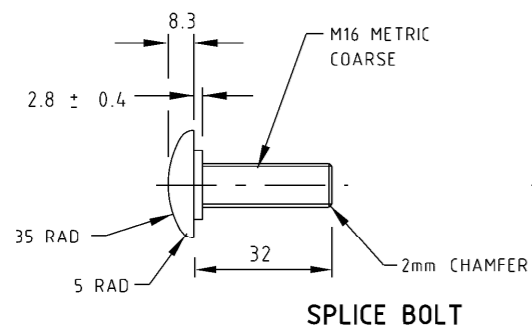


PLAN

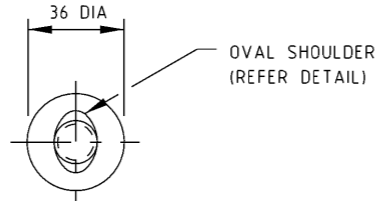
DETAIL OF TREATMENT WITH CONCRETE SURFACING AROUND POST



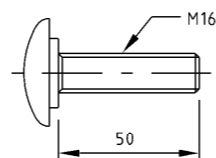
POST DETAIL



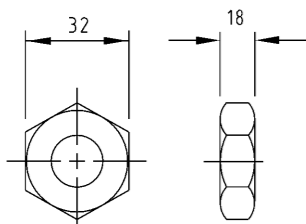
SPLICE BOLT



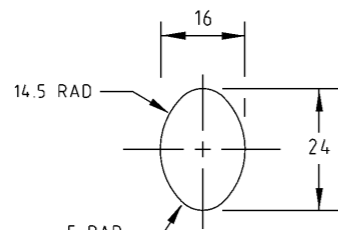
OVAL SHOULDER



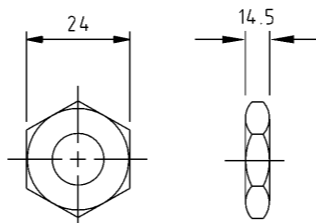
POST BOLT



OVER SIZE NUT FOR SPLICE BOLT



OVAL SHOULDER



M16 NUT

BOLT SCHEDULE

1	POST BOLT
8	SPLICE BOLTS
8	OVERSIZE NUTS
1	M16 NUT

NOTE:

1. GUARD FENCE (TYPE D) SHALL ONLY BE USED WHERE IMPACT SPEEDS ARE LESS THAN 30 km/h. (e.g. IN PARKING AREAS AND SCENIC LOOKOUTS).
2. BARRIER KERBING MAY BE USED TO DEFLECT SLOW MOVING VEHICLES APPROACHING THE GUARD FENCE REFER TO STANDARD DRAWING SD 3502 FOR LOCATION GUIDELINES FOR KERB AND GUARD FENCE COMBINATIONS.
3. WHERE THE FACE OF GUARD FENCE IS ERECTED WITHIN 0 TO 1m BEHIND THE BACK OF KERB, THE MOUNTING HEIGHT SHALL BE MEASURED FROM THE ADJACENT ROAD PAVEMENT SURFACE.
4. ALL STEEL POSTS SHALL BE 178x76x6mm STEEL CHANNEL SECTION GRADE 250 MINIMUM.
5. ALL POSTS, BOLTS, NUTS AND WASHERS SHALL BE HOT DIP GALVANIZED TO AS/NZS 4680. HOLES TO BE DRILLED BEFORE GALVANIZING.
6. BOLTS TO BE SNUG TIGHTENED TO AS4100
7. BOLTS AND NUTS SHALL BE OF THE FOLLOWING CLASSES: POST BOLT & BLOCK BOLT CLASS 4.6, M16 NUT CLASS 5 AND SPLICE BOLT & OVERSIZE M16 NUT CLASS 8.8.
8. WASHERS ARE NOT TO BE PROVIDED AT POST BOLTS.

ISSUE	APP'D	DATE	AMENDMENT
E	D.C.	5/3/12	POST BOLT, OVERSIZE NUT & NOTES AMENDED
D	J.K.	1/7/05	NOTE 5 & 6 AMENDED
C	J.B.	1/8/02	DIMENSION FROM GROUND TO TOP OF BOLT & POST HAS BEEN AMENDED. POST ORIENTATION NOTE ADDED. NOTE 7 ADDED.
B	J.C.	1/7/95	SECTION A-A, NOTE 3.
A	R.G.	2/94	GENERAL NOTES 1 TO 3, NOTES 2, 4, & 6, BOLTS & CONC. SURFACING

GENERAL NOTES / CROSS REFERENCES	
1.	ALL DIMENSIONS ARE IN MILLIMETRES UNLESS SHOWN OTHERWISE.
2.	GUARD RAIL TO BE MANUFACTURED FROM BMT 2.7 ± 0.21mm AS/NZS 1594-HA350 STEEL PLATE.
3.	MATERIALS OTHER THAN CONCRETE COULD BE APPROPRIATE FOR SEALING AROUND POST.

DESIGNED PRINCIPAL ROAD DESIGN ENGINEER	
APPROVED <i>Ross Gordon</i> 24-2-94	
CATALOG: PRED	COMPUTER FILE: sd-3671e.dgn
PROJECT: sddgnnew	SCALE OF METRES: VER

STANDARD DRAWING				
GUARD FENCE (TYPE D)				
STEEL POST				
FILE NO.	CONTRACT NO.	SHEET NO.	DRAWING NO.	ISSUE
			SD 3671	E