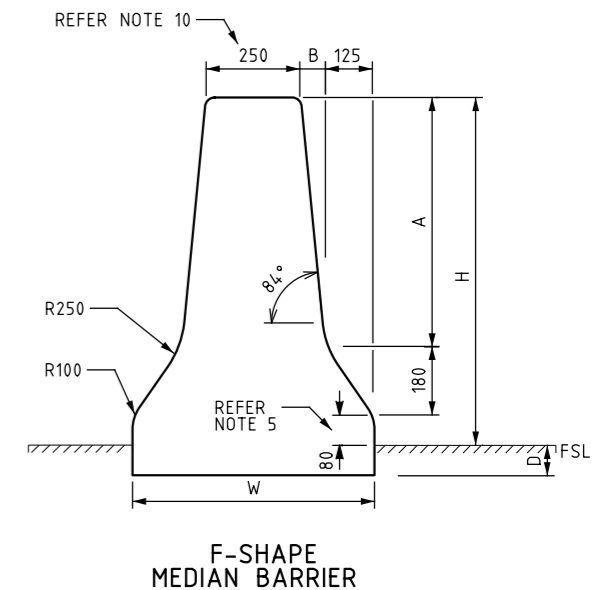
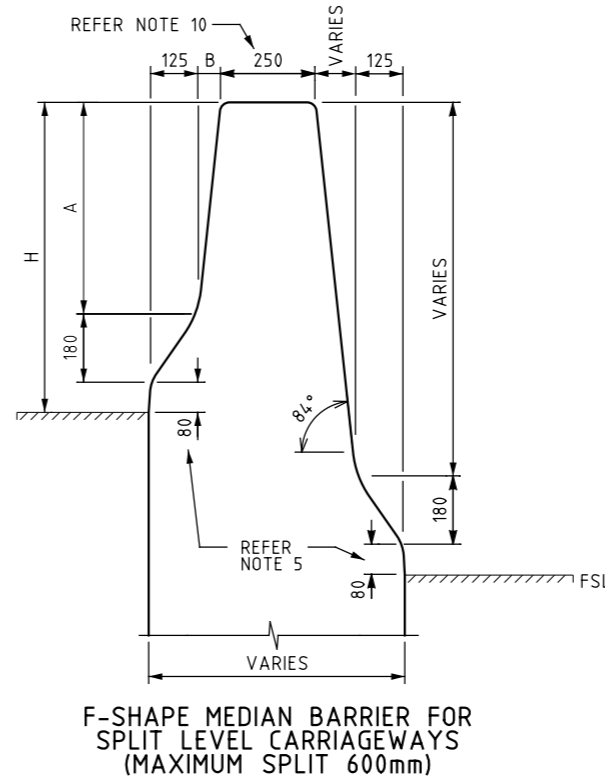


ISSUE	APPROVED BY	DATE	AMENDMENT
I	M-RD&SSE	12/21	INCLUSION OF SLIP FORM BARRIER REQUIREMENTS

TEST LEVEL	H	A	B	W	COMMENTS
TL-3 MASH	820	560	59*	617*	TEST LEVEL SHOULD BE CLEARLY SPECIFIED IN THE CONTRACT DOCUMENTS (INC. DRAWINGS)
TL-4 MASH	920	660	69*	638*	
TL-5 MASH	1100	840	88*	676*	* REFER NOTE 3

TABLE A: BARRIER DIMENSIONS AND F-SHAPE TEST LEVELS



FSL FINISHED SURFACE LEVEL
D EMBEDMENT DEPTH (REFER SD3902)

SHAPE / PROFILE:

- F-SHAPE PROFILE IS THE SHAPE FOR ALL CONCRETE BARRIERS UNLESS SPECIFIED OTHERWISE. THE F-SHAPE PROFILE IS CRITICAL FOR VEHICLE PERFORMANCE AND MUST BE RETAINED AT ALL TIMES. ACCEPTABLE VARIATIONS INCLUDE; INCREASING THE UPPER BARRIER FACE HEIGHT (SEE NOTE 2 & 3), MODIFICATION FOR SWAY PROTECTION (SEE NOTE 4) AND COMPROMISE TO THE KERB REVEAL (SEE NOTE 5). NO OTHER VARIATIONS TO SHAPE OR DIMENSIONS ARE ALLOWED UNLESS THEY HAVE BEEN SPECIFIED OR ACCEPTED BY VICROADS.
- BARRIER HEIGHTS (H) ARE STANDARDISED AND BASED ON THE BARRIER TEST LEVEL REQUIRED OR AS SPECIFIED ON THE DESIGN PLANS. REFER 'TABLE A' FOR THE HEIGHT (H) OF EACH TEST LEVEL.
- UPPER BARRIER FACE MUST BE A NOMINAL 84° (DEGREES) FOR ALL BARRIER HEIGHTS, AS SHOWN. THE SLOPE BETWEEN CONNECTING UNITS MUST BE CONSISTENT THROUGH THE USE OF A CONSISTENT MOULD.
- MODIFICATIONS FOR SWAY PROTECTION MUST NOT PROTRUDE MORE THAN 30mm, AS SHOWN, AND MUST COMMENCE 920mm OR HIGHER ABOVE THE FINISHED SURFACE LEVEL.
- HEIGHT OF KERB REVEAL ABOVE FINISHED SURFACE LEVEL MUST BE 80mm NOMINAL +0/-20mm AFTER INSTALLATION. HEIGHTS BETWEEN 80mm-20mm MUST PROVIDE REASONABLE JUSTIFICATION AND BE ACCEPTED BY VICROADS.
- CHAMFERS ARE TO BE 15x15mm OR A 25mm RADIUS.
- TRANSITIONS BETWEEN BARRIER HEIGHT AND BARRIER WIDTHS MUST NOT EXCEED 15H:1V.

INSTALLATION AND CONSTRUCTION:

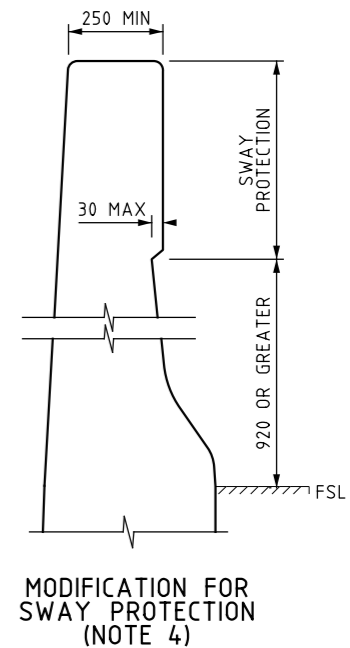
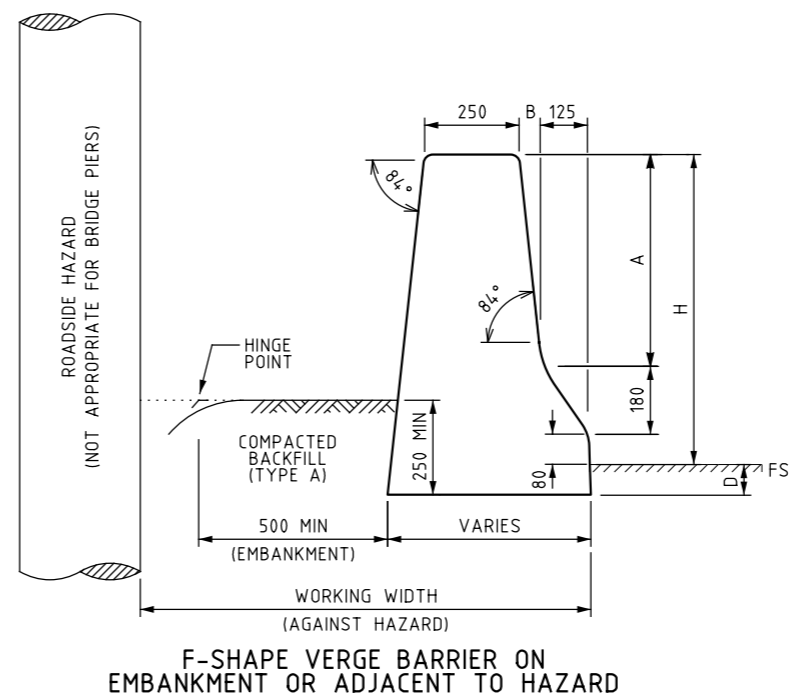
- CONCRETE BARRIERS MUST BE ADEQUATELY INSTALLED IN ACCORDANCE WITH SD3902. PRECAST CONCRETE BARRIER CONSTRUCTION TO BE IN ACCORDANCE WITH SD3903 AND SD3904. SLIP FORM CONCRETE BARRIER CONSTRUCTION TO BE IN ACCORDANCE WITH SD3906.

LIGHTING:

- ALL LIGHTING, COMMUNICATIONS, ELECTRICAL JUNCTION BOXES MUST BE INTEGRATED INTO THE UPPER BARRIER FACE SUCH THAT THEY DO NOT COMPROMISE THE F-SHAPE BARRIER PERFORMANCE.
- WHERE A LIGHTING SCHEME OR FENCE IS PROPOSED TO BE INSTALLED IN A MEDIAN APPLICATION OF THE BARRIER, A 350mm WIDE TOP-WIDTH BARRIER MUST BE USED (IN EACH CASE A SPECIAL INSTALLATION AND CONSTRUCTION WILL BE REQUIRED). FOR SLIP FORM CONCRETE BARRIERS SEE DRAWING SD3906 FOR LIGHTING REQUIREMENTS.

PERFORMANCE LEVEL BARRIERS:

- PERFORMANCE LEVEL BARRIERS MUST BE DESIGNED TO FULLY COMPLY WITH THE REQUIREMENTS OF AS5100 IRRESPECTIVE OF THESE DRAWINGS.
- FOR THE DESIGN OF PERFORMANCE LEVEL BARRIERS, NO CONSIDERATION SHALL BE MADE OF TEST LEVELS OR THE IMPLIED EQUIVALENCE OF TEST LEVELS TO PERFORMANCE LEVELS THAT IS GIVEN IN TABLE 14.4 OF AS5100.1, AS PER BRIDGE TECHNICAL NOTE BTN001.



DISCLAIMER
THIS DRAWING DOES NOT COVER PERFORMANCE LEVEL BARRIERS WHICH SHALL BE DESIGNED TO FULLY COMPLY WITH THE REQUIREMENTS OF AS5100 IRRESPECTIVE OF THIS DRAWING

ROAD AND TRAFFIC DESIGN
MANAGER SAFE SYSTEM ENGINEERING
60 DENMARK STREET
KEW VICTORIA 3101
PHONE (03) 9854 2666



ROAD SAFETY BARRIERS			
CONCRETE BARRIER F-SHAPE PROFILE			
NOT TO SCALE	APPROVED M-SSE	02/2019	SD NO. SD3901
			ISSUE I

VicRoads Drawing No. 720376

REFERENCES AND NOTES:

- ALL DIMENSIONS ARE IN MILLIMETRES UNLESS SHOWN OTHERWISE.