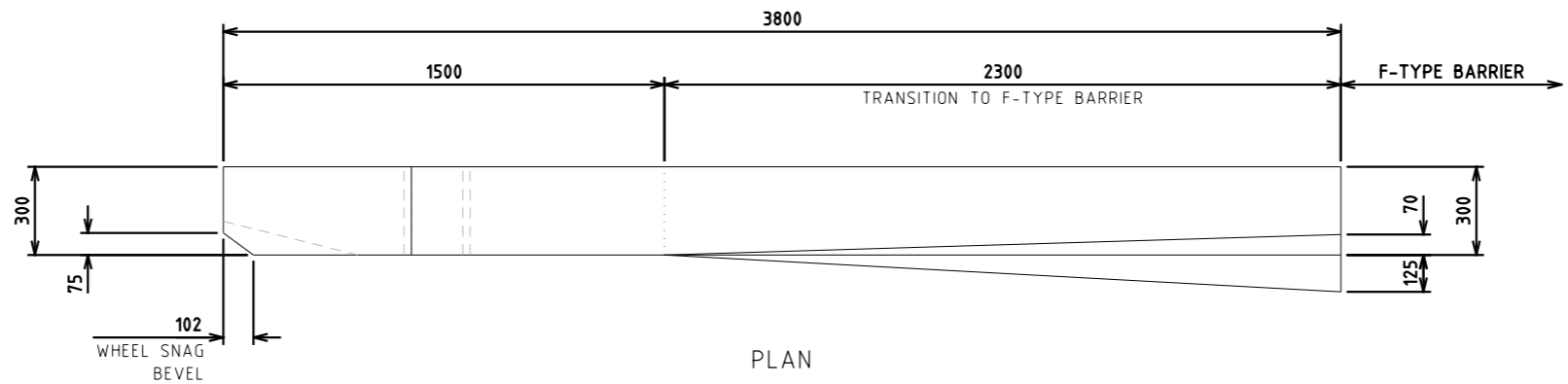
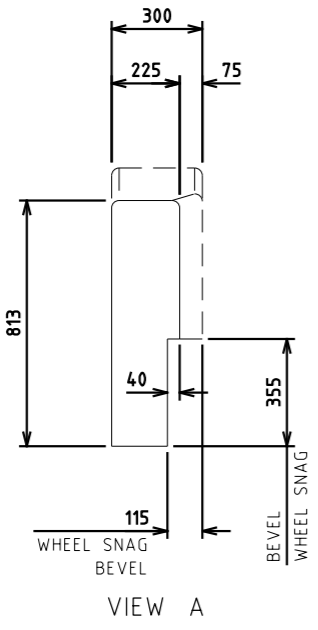


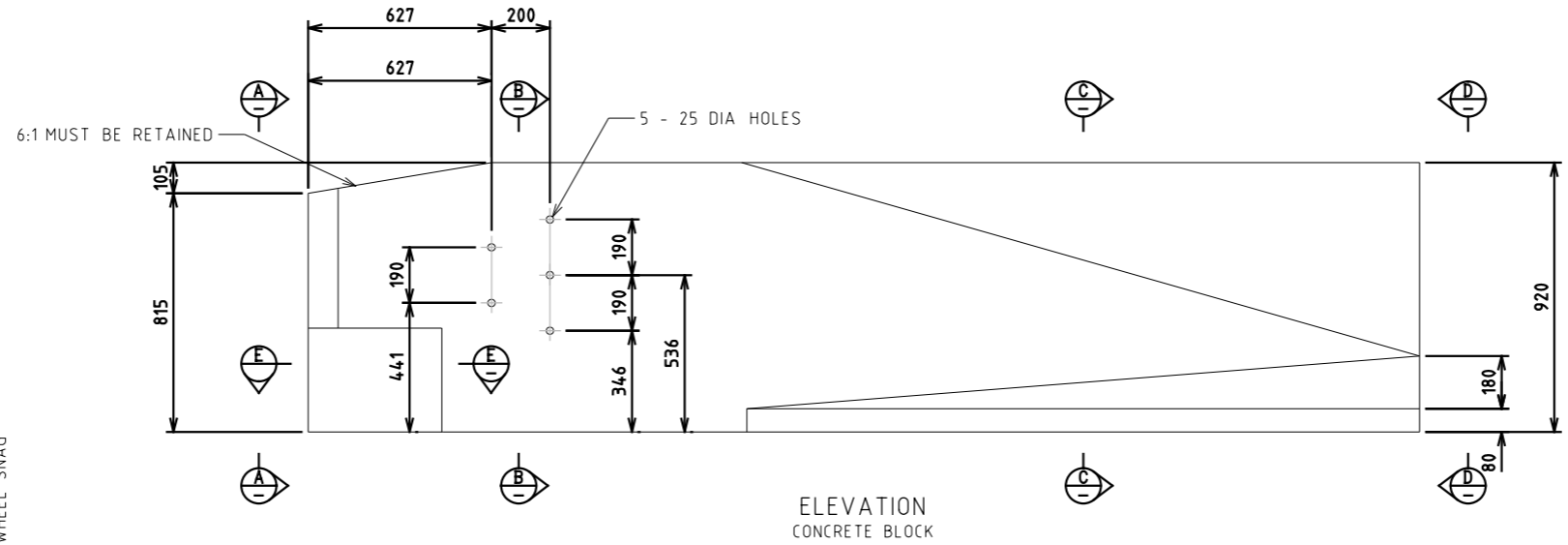
ISSUE	APPROVED BY	DATE	AMENDMENT



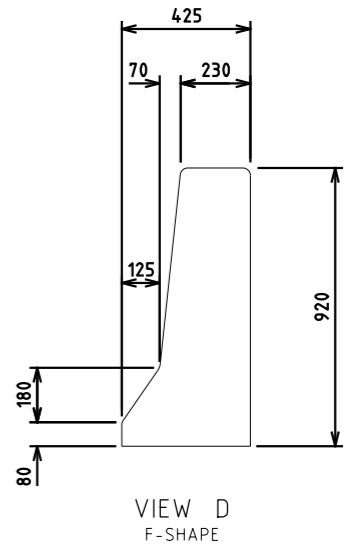
PLAN



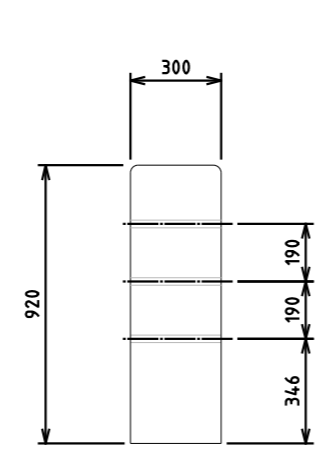
VIEW A



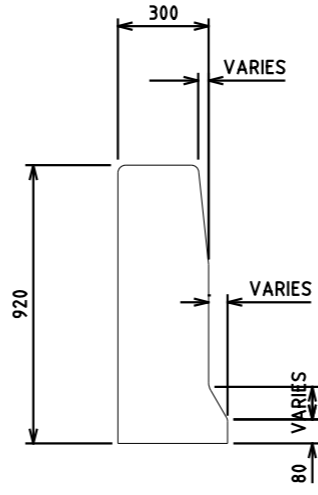
ELEVATION
CONCRETE BLOCK



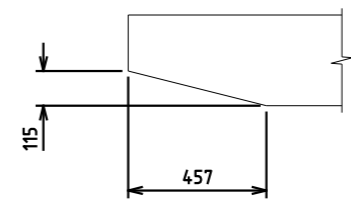
VIEW D
F-SHAPE



SECTION B



SECTION C



SECTION E
WHEEL SNAG BEVEL

- NOTES:
1. ALL DIMENSIONS ARE IN MILLIMETRES UNLESS SHOWN OTHERWISE.
 2. REFER NOTES PROVIDED ON SD3951.
 3. WHERE KERB AND CHANNEL IS REQUIRED, REFER SD 3956 (IN DEVELOPMENT).

DISCLAIMER
THIS DRAWING DOES NOT COVER BRIDGE AND BRIDGE APPROACH BARRIERS WHICH SHALL BE DESIGNED TO FULLY COMPLY WITH THE REQUIREMENTS OF AS 5100 IRRESPECTIVE OF THESE DRAWINGS.

ROAD AND TRAFFIC DESIGN
MANAGER
SAFE SYSTEM
ENGINEERING
60 DENMARK STREET
KEW VICTORIA 3101
PHONE 1031 9854 2666



ROAD SAFETY BARRIERS
GUARD FENCE TO CONCRETE BARRIER TRANSITION
CONCRETE BARRIER PROFILE

NOT TO SCALE	APPROVED M-RD&SSE	12/2021	SD NO. SD3954	ISSUE
--------------	----------------------	---------	------------------	-------

VicRoads Drawing No. 720450