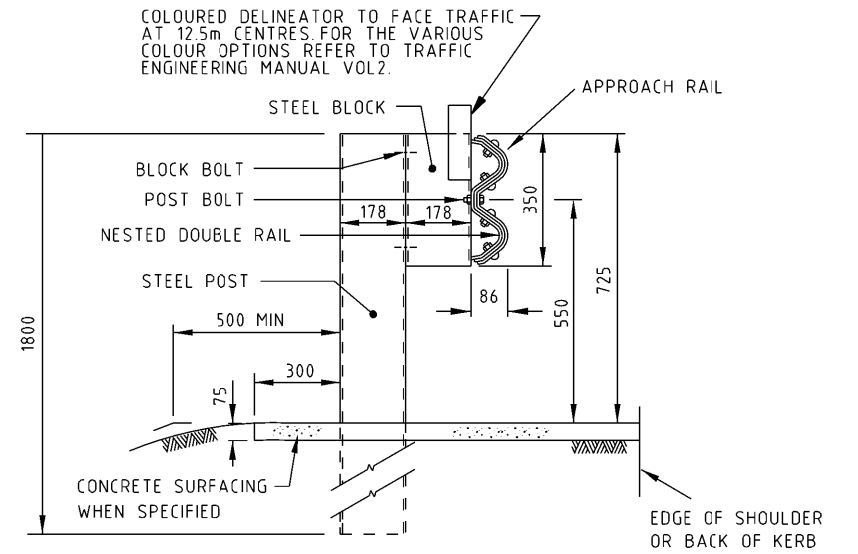
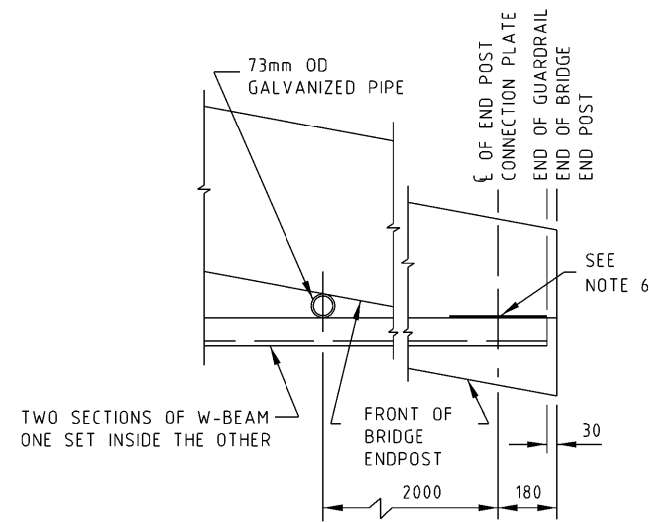


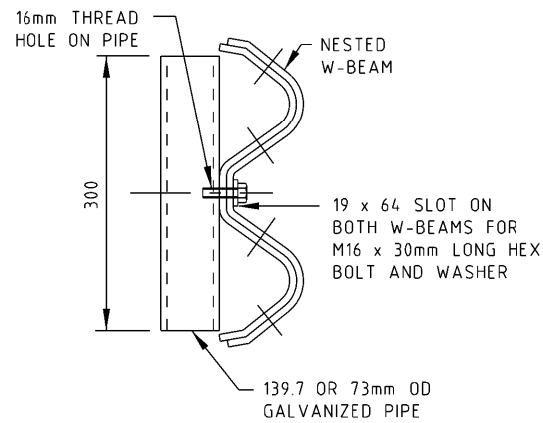
**GUARD FENCE LAYOUT ON BRIDGE APPROACH**



**SECTION A-A**



**DETAIL X**



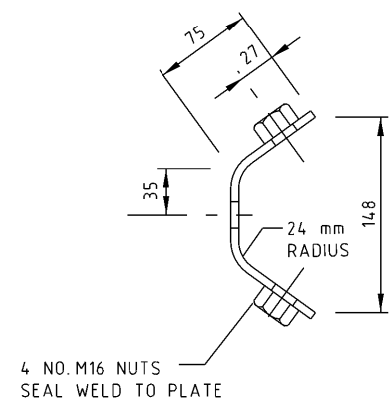
**GALVANIZED PIPE CONNECTION**

**BOLT SCHEDULE FOR GALVANISED PIPE CONNECTION**

1	M16 x 30mm LONG HEX HEAD POST BOLT
1	M16 WASHER

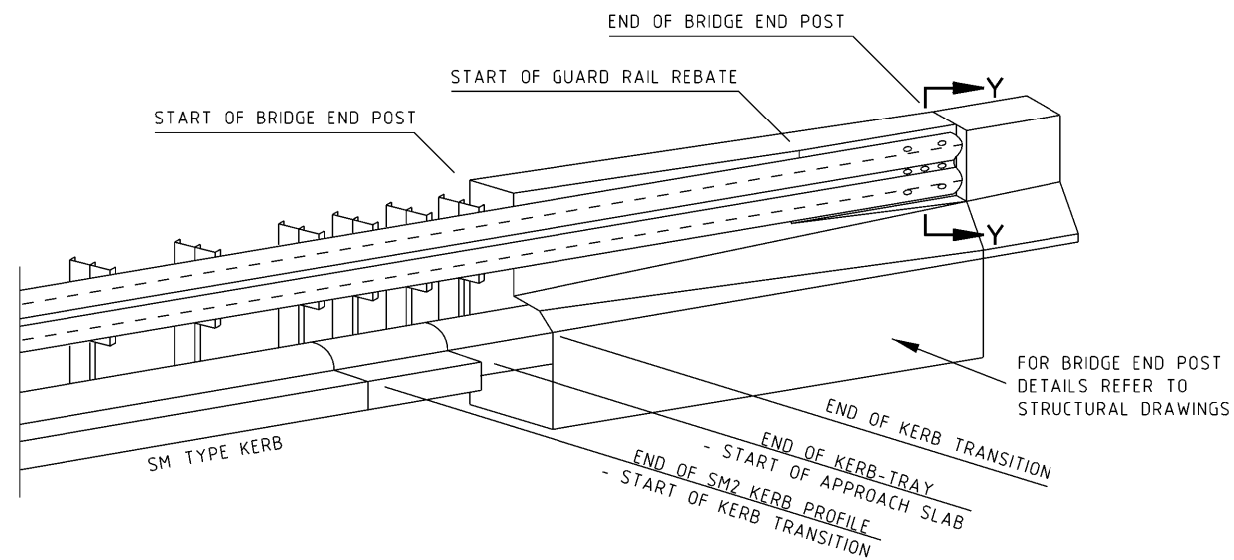
**NOTES:**

- FOR DETAILS OF STEEL POSTS, BLOCKS, BOLTS AND CONCRETE PAVING, REFER SD 3661.
- GALVANIZED PIPES SHALL BE CONNECTED ONLY TO THE NESTED W-BEAMS AS SHOWN. BOLTS TO BE SNUG TIGHTENED TO AS 4100.
- BACKING RAIL, 300 LONG, WITH GUARD RAIL PROFILE, SHALL BE PROVIDED AT ALL INTERMEDIATE POSTS FOR SINGLE W-BEAMS. NO BACKING RAIL IS REQUIRED FOR NESTED W-BEAMS.
- FOR THE GEOMETRY OF THE GUARD FENCE APPROACHES REFER SD 4071 AND CONSTRUCTION DRAWINGS.
- KERB AND CHANNEL PIT AND FOOTWAY REQUIREMENTS MAY DIFFER FROM THOSE SHOWN. FOR DETAILS REFER TO CONSTRUCTION DRAWINGS.
- BRIDGE END POST ASSEMBLY: INCLUDES CONNECTION PLATE AND 3 THREADED M16 FERRULES FOR BRIDGES WITH F SHAPE BARRIER. TO BE ERECTED BY BRIDGE CONTRACTOR. FOR DETAILS OF GUARD FENCE CONNECTION PLATE REFER TO BRIDGE DRAWING 181347.
- DIAMETER OF GALVANIZED PIPE MAY VARY TO SUIT THE PARTICULAR SITE.
- WHERE THE FACE OF GUARD FENCE IS ERECTED WITHIN 0 TO 1m BEHIND THE BACK OF KERB, THE MOUNTING HEIGHT SHALL BE MEASURED FROM THE ADJACENT ROAD PAVEMENT SURFACE.
- WASHERS ARE NOT TO BE PROVIDED AT POST BOLTS. WASHER TO BE PROVIDED UNDER PIPE CONNECTION BOLT.



**SECTION Y-Y**

(GUARD FENCE CONNECTION PLATE ONLY)



**ISOMETRIC VIEW OF KERB TRANSITION TO BRIDGE ENDPOST**

ISSUE	APP'D	DATE	AMENDMENT
G	D.C.	5/3/12	BOLT SCHEDULE AMENDED, DELINEATOR NOTE AMENDED ON SECTION A-A, SECTION Y-Y ADDED
F	R.F.	23/12/10	DETAIL Y ADDED
E	J.B.	1/8/02	DIMENSION FROM GROUND TO TOP OF BOLT & POST HAS BEEN AMENDED, CONCRETE SURFACING NO LONGER OPTIONAL, POST ORIENTATION NOTE ADDED, NOTE 9 & 10 ADDED
D	J.C.	1/3/97	KERB TRANSITION DETAILS ADDED, DRAWING TITLE CHANGED.
C	J.C.	1/7/95	CROSS REFERENCE TO SD 3501, GUARD RAIL OFFSET TO BACK OF KERB, NOTE 8 ADDED
B	J.C.	9/94	SET OUT POINT OF PIT REMOVED, PIT COVER, NOTE 7
A	R.G.	18/10/93	REDRAWN ON SD 4081 & SD 4082

- GENERAL NOTES / CROSS REFERENCES**
- GUARD FENCE - LAYOUTS FOR BRIDGE APPROACHES SD 4071
  - SIDE ENTRY PIT - CONCRETE COVER - ONE METRE INLET SD 1301
  - GUARD FENCE (TYPE B) - STEEL POST SD 3661
  - ALL DIMENSIONS ARE IN MILLIMETRES UNLESS SHOWN OTHERWISE.

DESIGNED	PRINCIPAL ROAD DESIGN ENGINEER
APPROVED	<i>Ross Gordon</i> 18-10-93
CAT: PRED	
PROJ: sddgnew	
FILE: sd-4081g.dgn	

TECHNICAL CONSULTING	3 PROSPECT HILL ROAD, CAMBERWELL, VICTORIA 3124. PHONE (03) 9811 8355 FAX (03) 9811 8329
SCALE OF METRES NOT TO SCALE	

STANDARD DRAWING				
GUARD FENCE				
BRIDGE APPROACHES (LONG END POST)				
FILE NO.	CONTRACT NO.	SHEET NO.	DRAWING NO.	ISSUE
			SD 4081	G