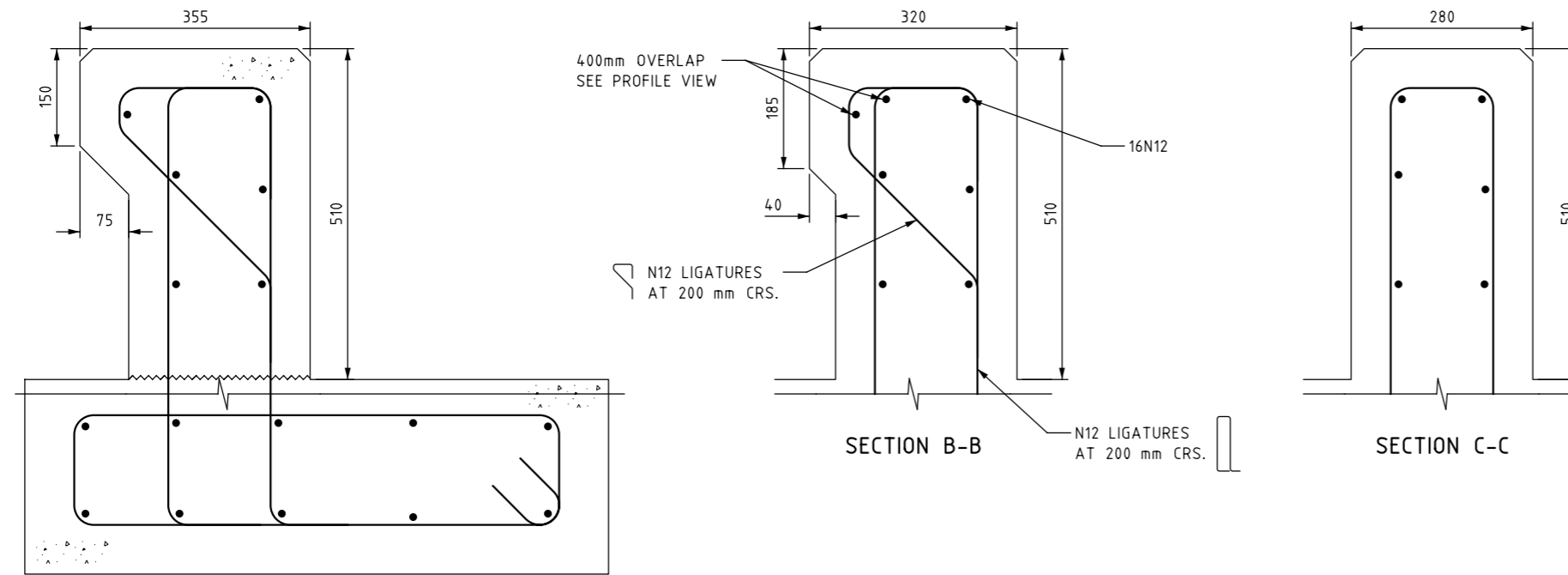


ISSUE	APP'D	DATE	AMENDMENT



NOTES:

CONCRETE

- CONCRETE SHALL BE SPECIAL CLASS PERFORMANCE CONCRETE AS SPECIFIED IN VICROADS STANDARD SPECIFICATION FOR BRIDGEWORKS.

CONCRETE GRADE	CHARACTERISTIC COMPRESSIVE STRENGTH AT 28 DAYS f'_c (MPa)	CEMENTITIOUS MATERIAL CONTENT (MIN.) (kg/m ³)	WATER/CEMENTITIOUS MATERIAL RATIO (MAX.)
VR 400/40	40	400	0.45

- EXPOSURE CLASSIFICATION SHALL BE B1 FOR SURFACES OF CONCRETE CONTACTING SOIL AND B2 FOR ALL OTHER SURFACES.

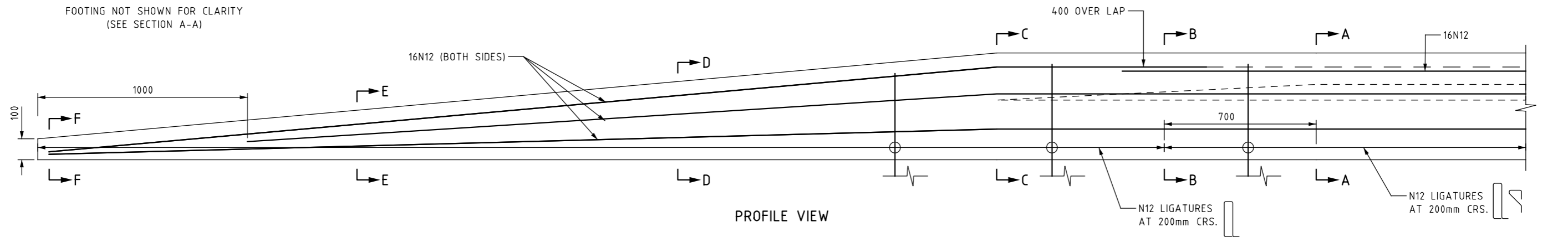
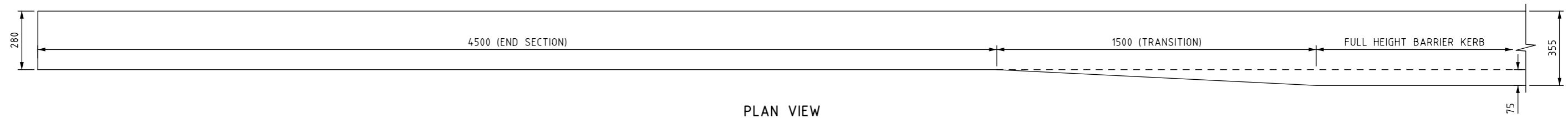
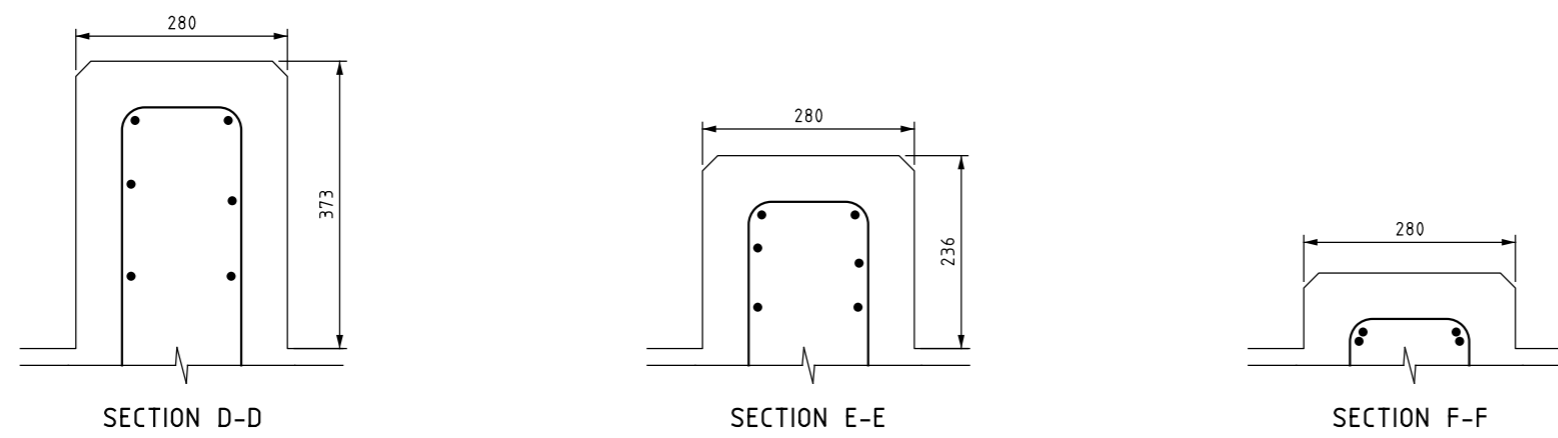
- ALL CORNERS SHALL HAVE 20 x 20mm FILLETS OR CHAMFERS UNLESS NOTED OTHERWISE.

REINFORCEMENT

- COVER :- 55mm UNLESS NOTED OTHERWISE.
- SPACING :- TAKEN AS EQUAL UNLESS NOTED OTHERWISE.
- GRADE :- (N) DENOTES HIGH STRENGTH STEEL REINFORCING DEFORMED BARS, GRADE 500 (NORMAL DUCTILITY) TO AS/NZS 4671. (R) DENOTES PLAIN REINFORCING BARS TO AS/NZS 4671.
- BEND :- BARS SHALL BE BENT AROUND 4db PIN TO AS 5100-2004.
- WELDING :- NOT PERMITTED UNLESS NOTED OTHERWISE.
- SPLICING :- SHALL BE IN ACCORDANCE WITH AS 5100-2004. SPLICES TO BE STAGGERED SO THAT NO MORE THAN 50% OCCUR AT ANY LOCATION.

GENERAL

- INSTALLATIONS SHALL BE IN ACCORDANCE WITH ROAD DESIGN NOTE 03-01 THE USE OF HIGH PROFILE BARRIER KERB (HPBK).
- MINIMUM LENGTH OF FULL HEIGHT KERB SHALL BE 23m.
- PLACEMENT OF HIGH PROFILE BARRIER KERB SHALL ACCOUNT FOR PAVEMENT DRAINAGE CONSIDERATIONS.



VicRoads Drawing No. 720270

- REFERENCES AND NOTES:
- ALL DIMENSIONS ARE IN MILLIMETRES UNLESS SHOWN OTHERWISE.
 - ALL INSTALLATIONS OF MIDWEST HIGH PROFILE BARRIER KERB SHALL MEET THE REQUIREMENTS OF ROAD DESIGN NOTE 03-01 - THE USE OF HIGH PROFILE BARRIER KERB.
 - MIDWEST LONGITUDINAL LENGTH IN ACCORDANCE WITH SD 4201

AS/NZS 5100 BRIDGE DESIGN
AS/NZS 4671 STEEL REINFORCING MATERIALS
VR SPECIFICATION 610 STRUCTURAL CONCRETE
SD 4202 MIDWEST BARRIER KERB
RDN 03-01 THE USE OF HIGH PROFILE BARRIER KERB (HPBK)

TECHNICAL SERVICES
3 PROSPECT HILL ROAD
CAMBERWELL
VICTORIA 3124
PHONE (03) 9811 8355
FAX (03) 9811 8329



HIGH PROFILE BARRIER KERB		MIDWEST BARRIER KERB TRANSITION	
NOT TO SCALE	APPROVED DANIEL CASSAR	SD NO. 01/14 SD 4202	ISSUE