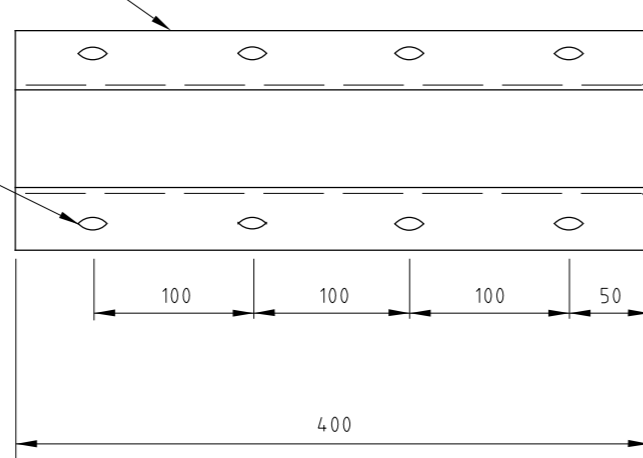


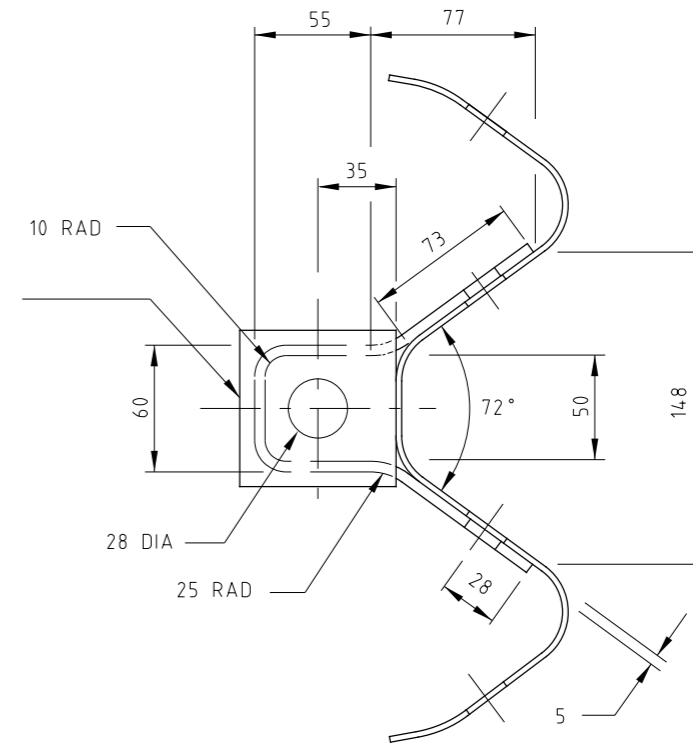
400 x 330 x 5 MILD STEEL PLATE
GRADE 250 MINIMUM.

18 DIA HOLES
(DRILL BEFORE BENDING)



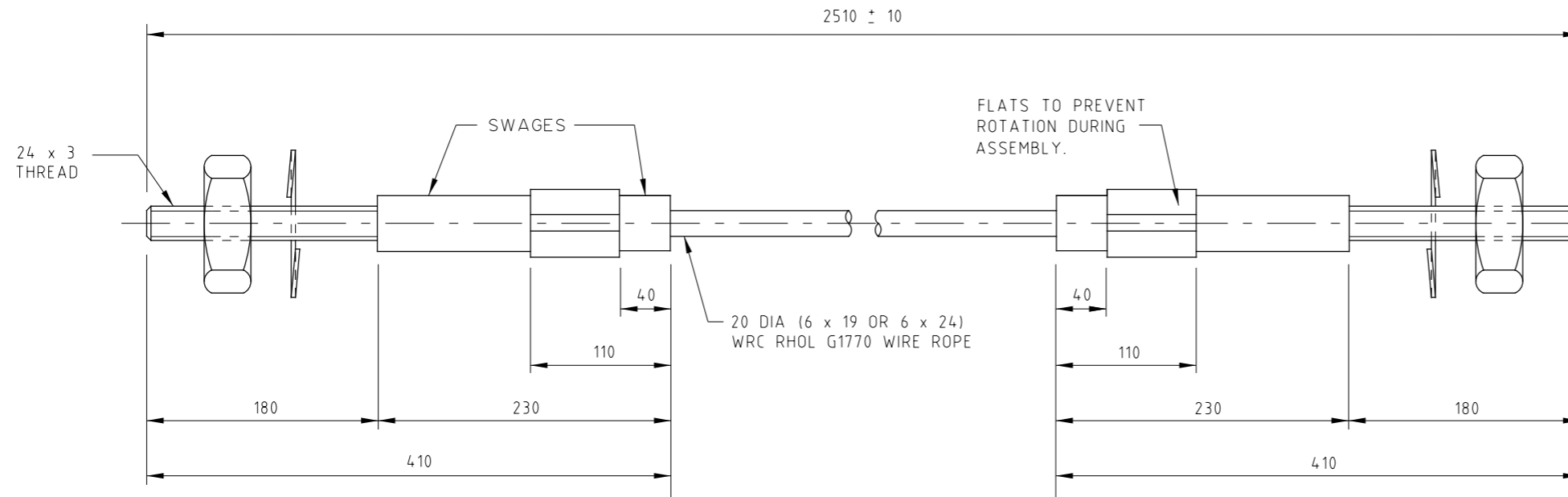
SIDE VIEW

ANCHOR PLATE

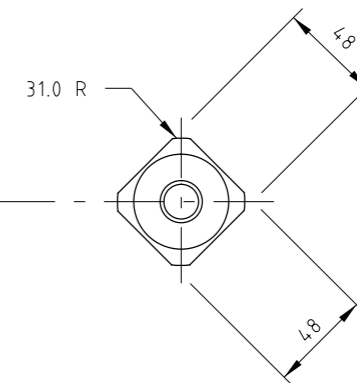


END VIEW

NOT ACCEPTED FOR USE
FROM AUGUST 2013
FOR ALL NEW & REPLACEMENT
INSTALLATIONS REFER RDN 06-04
ACCEPTED SAFETY BARRIER PRODUCTS



ANCHOR CABLE ASSEMBLY



END VIEW
(SWAGE FITTING)

NOTE: COMPLETE ASSEMBLY SHALL BE ABLE TO DEVELOP TENSILE STRENGTH OF 195 kN.

SD3551.dgn
29/05/2014 5:49:48 PM

AMEND.	Appd.	Date	AMENDMENTS
E			
D			
C	D.C.	8/5/14	NOTE ADDED - NOT ACCEPTED FOR USE
B	R.G.	JAN 94	RAIL SPECIFICATION, NOTE AND GENERAL NOTES 1, 3 & 4.
A	M.P.	MAY 90	CABLE LENGTH

GENERAL NOTES / CROSS REFERENCES

- BREAKAWAY CABLE TERMINAL - GENERAL ARRANGEMENT SD 3541 AND SD 3542
- BREAKAWAY CABLE TERMINAL - DETAILS SD 3561
- GUARD RAIL TO BE MANUFACTURED FROM BMT 2.7 ± 0.21mm AS1594/HA350 STEEL PLATE.
- ALL DIMENSIONS ARE IN MILLIMETRES UNLESS SHOWN OTHERWISE.

vicroads

PRINCIPAL
ROAD DESIGN ENGINEER'S
DEPARTMENT

STANDARD DRAWING				
BREAKAWAY CABLE TERMINAL				
ANCHOR CABLE AND PLATE DETAILS				
APPROVED	DATE	SPEC. REF. No.	SHEET No.	DRAWING No.
<i>Russ Gordan</i>	24.2.94			SD 3551
PRINCIPAL RD ENGINEER				C